



**GASTROPARTS**

# Marels

**[EN]** Equipment

**[DE]** Geräte

**[ES]** Aparatos

**[FR]** Équipement

**[IT]** Attrezzature

**[PL]** Urządzenia

**[RU]** Оборудование

✉ [gastroparts@gastroparts.com](mailto:gastroparts@gastroparts.com)

☎ tel. +48 56 657 00 66

📘 [fb.com/gastroparts.global](https://fb.com/gastroparts.global)

**GASTROPARTS.COM**






## heating elements

### heating elements for fryers

#### 2 hole fixing




|                    |  |                 |            |
|--------------------|--|-----------------|------------|
| <b>Part No.</b>    | 419031   | <b>Ref. No.</b> | 965.009.00 |
| <b>description</b> | heating element 3400/3700W 230/240V heating circuits 1 L 405mm W 44mm H 228mm L1 25mm L2 380mm H1 192mm H2 36mm thread M14x1.5 mounting distance 36mm tube ø 8.5mm 2 hole fixing connection M5 immersion heater windings 4 fryer |                 |            |


### immersion heating elements

#### 3 hole flange ø38.5mm

##### connection angled




|                        |   |                 |                 |   |
|------------------------|---|-----------------|-----------------|---|
| <b>Part No.</b>        | 420212  | <b>Ref. No.</b> | 465.008.14      |   |
| <b>description</b>     | heating element 2000W 230V mounting ø 38.5mm heating circuits 1 L 330mm W 33mm H 16mm hole distance 57mm hole ø 10mm tube ø 6mm connection male faston 6.3mm immersion heater 3 hole flange |                 |                 |   |
| <b>accessories for</b> | 420212  |                 |                 |   |
|                        | <b>Part No.</b>   | 532577          | <b>Ref. No.</b> | — |
|                        | O-ring EPDM thickness 5.34mm ID ø 40.65mm Qty 1 pcs   |                 |                 |   |




|                        |  |                 |                 |   |
|------------------------|--|-----------------|-----------------|---|
| <b>Part No.</b>        | 419033   | <b>Ref. No.</b> | 465.009.00      |   |
| <b>description</b>     | heating element 4500W 230V mounting ø 38.5mm heating circuits 3 L 295mm W 28mm H 35mm L1 30mm L2 265mm H2 30mm hole distance 58mm hole ø 10mm tube ø 6.3mm connection male faston 6.3mm immersion heater 3 hole flange |                 |                 |   |
| <b>spare parts for</b> | 419033   |                 |                 |   |
|                        | <b>Part No.</b>  | 521120          | <b>Ref. No.</b> | — |
|                        | O-ring EPDM thickness 5.34mm ID ø 37.47mm Qty 1 pcs  |                 |                 |   |

#### 3 hole flange ø47.5mm



|                        |  |                 |                 |   |
|------------------------|--|-----------------|-----------------|---|
| <b>Part No.</b>        | 419032   | <b>Ref. No.</b> | 465.010.13      |   |
| <b>description</b>     | heating element 4500W 230V mounting ø 47.5mm heating circuits 3 L 285mm W 32mm H 40mm number of thermostat sleeves 1 thermostat sleeves ø 7.5mm length thermostat sleeves 233mm thermostat sleeve eccentric, clinging tube ø 6.3mm hole distance 63mm hole ø 8mm connection length 25mm connection M4 3 hole flange immersion heater |                 |                 |   |
| <b>accessories for</b> | 419032   |                 |                 |   |
|                        | <b>Part No.</b>  | 510408          | <b>Ref. No.</b> | — |
|                        | O-ring EPDM thickness 5.34mm ID ø 47mm Qty 1 pcs   |                 |                 |   |

### heating elements for convection



|                    |  |                 |            |
|--------------------|--|-----------------|------------|
| <b>Part No.</b>    | 418020   | <b>Ref. No.</b> | 999.22.042 |
| <b>description</b> | heating element 7800W 230V heating circuits 3 ID ø 264mm ED ø 277mm L 315mm H 100mm L1 35mm W1 101mm H1 29mm H2 67mm flange length 142mm flange width 23mm hole distance 63mm connection M4 connection length 75mm tube ø 6.3mm convection heating element mounting thread M4 rectangular flange |                 |            |

## thermostats

### control and safety thermostats

#### EGO

##### control thermostats

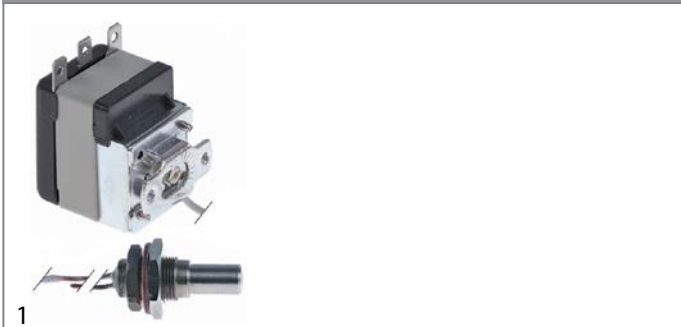
##### 55.10/19\_ series





|                    |  |                 |                          |
|--------------------|--|-----------------|--------------------------|
| <b>Part No.</b>    | 375948   | <b>Ref. No.</b> | 461.016.00<br>461.016.01 |
| <b>description</b> | thermostat t.max. 90°C temperature range 30-90°C 1-pole 1CO 16A probe ø 6mm probe L 102mm capillary pipe 1000mm capillary pipe isolated 960mm gland nut shaft Lmm shaft position rotation 180° |                 |                          |

**CAEM**

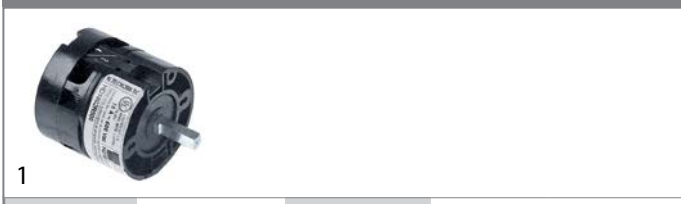
control thermostats




|   |  |                 |                   |
|---|--|-----------------|-------------------|
| <b>Part No.</b>   | 390672   | <b>Ref. No.</b> | 46101500          |
| <b>description</b>  | thermostat t.max. 53°C temperature range fixed 53°C 1-pole 1CO 16A probe ø 9.5mm probe L 30mm capillary pipe 600mm capillary pipe isolated 540mm gland nut shaft Lmm screw-in probe probe thread M14x1 |                 |                   |
| <b>spare parts for</b>  | 390672   |                 |                   |
|  | <b>Part No.</b>  | 510417          | <b>Ref. No.</b> — |
|   | flat gasket fibre ED ø 20mm ID ø 14mm thickness 2mm Qty 1 pcs  |                 |                   |
|  | <b>Part No.</b>  | 550261          | <b>Ref. No.</b> — |
|   | nut thread M14x1 H 4mm WS 19 SS Qty 1 pcs  |                 |                   |

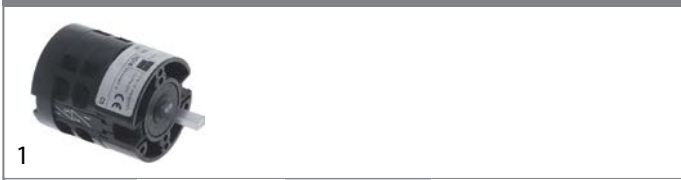
**switches and momentary switches**  
rotary switches

**TECNOMATIC**



|   |  |                 |                   |
|---|--|-----------------|-------------------|
| <b>Part No.</b>   | 300331   | <b>Ref. No.</b> | 461.030.00        |
| <b>description</b>  | rotary switch 2 0-1 sets of contacts 2 type HD1602R000 600V 16A shaft ø 4x6mm shaft L 17mm shaft 6x6 connection screw ED ø 43mm L 39mm |                 |                   |
| <b>accessories for</b>  | 300331   |                 |                   |
|  | <b>Part No.</b>  | 111012          | <b>Ref. No.</b> — |
|   | knob switch zero mark t.max.°C°C ø 34/60mm shaft ø 5x5mm shaft flat black H 22mm L 50mm  |                 |                   |

miscellaneous



|                    |   |                 |            |
|--------------------|---|-----------------|------------|
| <b>Part No.</b>    | 300329  | <b>Ref. No.</b> | 461.045.00 |
| <b>description</b> | rotary switch sets of contacts 4 3 1-0-2 momentary type HD16 600V 16A shaft square connection screw ambient temperature max. 75°C |                 |            |

**pressure switches**  
for warewashing

ø 58mm with male faston 6.3mm  
with connection horizontal



|                    |   |                 |            |
|--------------------|---|-----------------|------------|
| <b>Part No.</b>    | 542137  | <b>Ref. No.</b> | 462.012.00 |
| <b>description</b> | pressure control pressure range 100/65mbar connection male faston 6.3mm ø 58mm pressure connection horizontal warewashing pressure connection ø 6mm |                 |            |





|                    |  |                 |            |
|--------------------|--|-----------------|------------|
| <b>Part No.</b>    | 541133   | <b>Ref. No.</b> | 462.003.00 |
| <b>description</b> | pressure control pressure range 60/25mbar connection male faston 6.3mm ø 58mm pressure connection horizontal warewashing pressure connection ø 6mm |                 |            |

**pumps**  
wash and rinse pumps






**LGB**



|   |  |                 |                          |
|---|--|-----------------|--------------------------|
| <b>Part No.</b>   | 500583   | <b>Ref. No.</b> | 46408200<br>46408300     |
| <b>description</b>  | pump inlet ø 28mm outlet ø 26mm type ZF130SX 230V 50Hz 1 phase 0.2kW 0.27HP L 195mm rotation direction right capacitor 6.3µF LGB |                 |                          |
| <b>spare parts for</b>  | 500583   |                 |                          |
|  | <b>Part No.</b>  | 509004          | <b>Ref. No.</b> 46410600 |
|   | impeller ø 71mm H 16mm M7L rotation direction right shaft ø 13mm shaft length 13mm blades 8                                      |                 |                          |
|  | <b>Part No.</b>  | 510703          | <b>Ref. No.</b> —        |
|   | mechanical shaft seal for shaft ø 13mm slide ring H 13mm height counter ring 5.5mm ED ø 26mm                                     |                 |                          |








1

|   |  |                 |                            |
|---|--|-----------------|----------------------------|
| <b>Part No.</b>   | 500553   | <b>Ref. No.</b> | 464.013.00                 |
| <b>description</b>  | pump inlet ø 45mm outlet ø 38mm type ZF290SX 230V 50Hz 1 phase 0.65kW 0.88HP L 200mm rotation direction right capacitor 12.5µF auxiliary pressure connection 13mm supporting pressure open LGB |                 |                            |
| <b>spare parts for</b>  | 500553   |                 |                            |
|    | <b>Part No.</b>  | 365014          | <b>Ref. No.</b> —          |
|   | operating capacitor capacity 12.5µF 450V tolerance 5%Hz ambient temperature max. -25 to +85°C ø 35mm L 70mm M8 plastic connection male faston 6.3mm 45S.C3DS.12.5 protection                   |                 |                            |
|  | <b>Part No.</b>  | 510702          | <b>Ref. No.</b> —          |
|   | mechanical shaft seal height counter ring 5.5mm ID ø 12mm  |                 |                            |
|  | <b>Part No.</b>  | 521106          | <b>Ref. No.</b> 464.021.00 |
|   | impellor ø 97mm H 24mm rotation direction right thread M8L seat ø 8.2mm blades 5   |                 |                            |
|  | <b>Part No.</b>  | 521542          | <b>Ref. No.</b> —          |
|   | pump cover LGB inlet ø 45mm outlet ø 40mm auxiliary pressure connection 13mm supporting pressure open ø 150mm ID ø 120mm inner high 25mm   |                 |                            |
|  | <b>Part No.</b>  | 521714          | <b>Ref. No.</b> —          |
|   | pump cover gasket thickness 4x4mm Qty 1 pcs  |                 |                            |

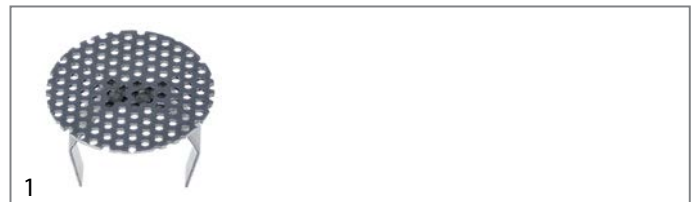


1

|   |   |                 |  |
|---|---|-----------------|--|
| <b>Part No.</b>   | 500512  | <b>Ref. No.</b> | 464.015.00                               |
| <b>description</b>  | pump inlet ø 45mm outlet ø 40mm type ZF340VSX 230V 50Hz 1 phase 0.75kW 1HP L 245mm rotation direction right capacitor 16µF LGB  |                 |  |
| <b>spare parts for</b>  | 500512  |                 |  |
|    | <b>Part No.</b>   | 365021          | <b>Ref. No.</b> —                        |
|   | operating capacitor capacity 16µF 425V tolerance 5% 50/60Hz ambient temperature max. -25 to +85°C ø 35mm L 73mm single M8 plastic connection male faston 6.3mm 416.10.99 protection |                 |  |
|   | <b>Part No.</b>   | 510702          | <b>Ref. No.</b> —                        |
|   | mechanical shaft seal height counter ring 5.5mm ID ø 12mm   |                 |  |
|  | <b>Part No.</b>   | 521246          | <b>Ref. No.</b> 464.022.00<br>464.031.00 |
|   | impellor ø 103mm H 26mm thread M8L shaft ø 20mm shaft length 7mm seat ø 8.2mm blades 6  |                 |  |
|  | <b>Part No.</b>   | 521542          | <b>Ref. No.</b> —                        |
|   | pump cover LGB inlet ø 45mm outlet ø 40mm auxiliary pressure connection 13mm supporting pressure open ø 150mm ID ø 120mm inner high 25mm  |                 |  |
|  | <b>Part No.</b>   | 521714          | <b>Ref. No.</b> —                        |
|   | pump cover gasket thickness 4x4mm Qty 1 pcs   |                 |  |

## equipment-specific units

### for pasta cookers



1

|                    |  |                 |            |
|--------------------|--|-----------------|------------|
| <b>Part No.</b>    | 697881   | <b>Ref. No.</b> | 611.266.00 |
| <b>description</b> | drain filter for pasta cooker ø 40mm stainless steel |                 |            |



## for dishwashers

## hood mechanics for dishwashers

## bolts



1

|                    |                                       |                 |            |
|--------------------|---------------------------------------|-----------------|------------|
| <b>Part No.</b>    | 510793                                | <b>Ref. No.</b> | 441.079.00 |
| <b>description</b> | screw bolt ED ø 10mm L 33mm thread M6 |                 |            |

## springs

1

|                    |                                      |                 |            |
|--------------------|--------------------------------------|-----------------|------------|
| <b>Part No.</b>    | 519403                               | <b>Ref. No.</b> | 260.014.00 |
| <b>description</b> | spring hood mechanics L 475mm ø 20mm |                 |            |

## linkage



1

|                    |   |                 |            |
|--------------------|---|-----------------|------------|
| <b>Part No.</b>    | 510708  | <b>Ref. No.</b> | 412.130.00 |
| <b>description</b> | linkage L 270mm for dishwasher hood mechanics |                 |            |

1

|                    |   |                 |            |
|--------------------|---|-----------------|------------|
| <b>Part No.</b>    | 510689  | <b>Ref. No.</b> | 412.078.00 |
| <b>description</b> | linkage L 530mm for dishwasher hood mechanics |                 |            |

## friction rings



1

|                    |   |                 |            |
|--------------------|---|-----------------|------------|
| <b>Part No.</b>    | 510796  | <b>Ref. No.</b> | 451.024.00 |
| <b>description</b> | slide ring for dishwasher ED ø 19mm ID ø 12mm thickness 1.5mm |                 |            |

## rollers



1

|                    |  |                 |            |
|--------------------|--|-----------------|------------|
| <b>Part No.</b>    | 510795   | <b>Ref. No.</b> | 451.079.00 |
| <b>description</b> | roller ø 36mm H 19mm for hood mechanics plastic grey hole ø 10mm |                 |            |

## air traps

## air traps



1

|                    |  |                 |            |
|--------------------|--|-----------------|------------|
| <b>Part No.</b>    | 510111                                     | <b>Ref. No.</b> | 451.036.00 |
| <b>description</b> | air trap ø 34mm H 130mm hose ø 6mm plastic |                 |            |

spare parts for 510111



|                    |   |                 |   |
|--------------------|---|-----------------|---|
| <b>Part No.</b>    | 504618  | <b>Ref. No.</b> | — |
| <b>description</b> | O-ring EPDM thickness 2.62mm ID ø 15.54mm Qty 1 pcs |                 |   |



|                    |  |                 |   |
|--------------------|--|-----------------|---|
| <b>Part No.</b>    | 510075   | <b>Ref. No.</b> | — |
| <b>description</b> | flat gasket rubber ED ø 22mm ID ø 13mm thickness 1.5mm Qty 1 pcs |                 |   |



|                    |                             |                 |   |
|--------------------|-----------------------------|-----------------|---|
| <b>Part No.</b>    | 510106                      | <b>Ref. No.</b> | — |
| <b>description</b> | hose connector for air trap |                 |   |



1

|                    |   |                 |            |
|--------------------|---|-----------------|------------|
| <b>Part No.</b>    | 510653                                    | <b>Ref. No.</b> | 451.036.00 |
| <b>description</b> | air trap ø 34mm H 95mm hose ø 6mm plastic |                 |            |

## door mechanics


## springs

## tension springs


1

|                    |                       |                 |            |
|--------------------|-----------------------|-----------------|------------|
| <b>Part No.</b>    | 519404                | <b>Ref. No.</b> | 260.018.00 |
| <b>description</b> | spring L 255mm ø 19mm |                 |            |




1 

|                    |                                |                 |            |
|--------------------|--------------------------------|-----------------|------------|
| <b>Part No.</b>    | 519394                         | <b>Ref. No.</b> | 260.017.00 |
| <b>description</b> | tension spring ø 19mm L1 230mm |                 |            |

1 


|                    |                                |                 |            |
|--------------------|--------------------------------|-----------------|------------|
| <b>Part No.</b>    | 519400                         | <b>Ref. No.</b> | 260.012.00 |
| <b>description</b> | tension spring ø 19mm L1 300mm |                 |            |

**linkage**

1 

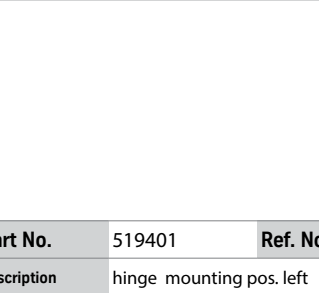
|                    |                       |                 |            |
|--------------------|-----------------------|-----------------|------------|
| <b>Part No.</b>    | 518591                | <b>Ref. No.</b> | 412.094.00 |
| <b>description</b> | tie bar L 215mm ø 5mm |                 |            |

**sliding plates**

1 


|                    |               |                 |            |
|--------------------|---------------|-----------------|------------|
| <b>Part No.</b>    | 518590        | <b>Ref. No.</b> | 451.091.00 |
| <b>description</b> | sliding plate |                 |            |

**hinges**

1 


|                    |                          |                 |            |
|--------------------|--------------------------|-----------------|------------|
| <b>Part No.</b>    | 519401                   | <b>Ref. No.</b> | 412.038.00 |
| <b>description</b> | hinge mounting pos. left |                 |            |

**screw connections**

1 

|                    |                         |                 |            |
|--------------------|-------------------------|-----------------|------------|
| <b>Part No.</b>    | 511919                  | <b>Ref. No.</b> | 451.022.01 |
| <b>description</b> | quick-fit retaining nut |                 |            |


**washing and rinsing systems**

1 


|                    |  |                 |            |
|--------------------|--|-----------------|------------|
| <b>Part No.</b>    | 524654   | <b>Ref. No.</b> | 441.041.00 |
| <b>description</b> | rinse arm shaft mounting pos. upper ø 16mm H 61mm thread M12x1 |                 |            |

1 


|                    |                                   |                 |            |
|--------------------|-----------------------------------|-----------------|------------|
| <b>Part No.</b>    | 510794                            | <b>Ref. No.</b> | 441.040.00 |
| <b>description</b> | rinse jet H 11.6mm thread M6 WS 8 |                 |            |

1 

|                    |   |                 |            |
|--------------------|---|-----------------|------------|
| <b>Part No.</b>    | 510796  | <b>Ref. No.</b> | 451.024.00 |
| <b>description</b> | slide ring for dishwasher ED ø 19mm ID ø 12mm thickness 1.5mm |                 |            |

1 

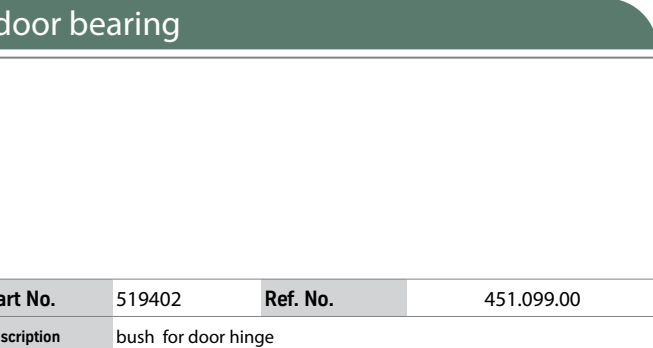
|                    |                                   |                 |            |
|--------------------|-----------------------------------|-----------------|------------|
| <b>Part No.</b>    | 524653                            | <b>Ref. No.</b> | 411.049.00 |
| <b>description</b> | throttle disc ED ø 90mm ID ø 16mm |                 |            |

1 

|                    |  |                 |            |
|--------------------|--|-----------------|------------|
| <b>Part No.</b>    | 510797                                 | <b>Ref. No.</b> | 412.173.00 |
| <b>description</b> | wash pipe suitable for MARELS, MODULAR |                 |            |

**hinges**

**door bearing**

1 

|                    |                     |                 |            |
|--------------------|---------------------|-----------------|------------|
| <b>Part No.</b>    | 519402              | <b>Ref. No.</b> | 451.099.00 |
| <b>description</b> | bush for door hinge |                 |            |






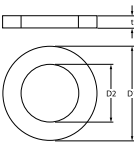
miscellaneous

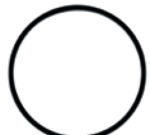
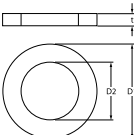
|                    |                                |                 |            |
|--------------------|--------------------------------|-----------------|------------|
| 1                  |                                |                 |            |
| <b>Part No.</b>    | 519395                         | <b>Ref. No.</b> | 412.037.00 |
| <b>description</b> | door hinge mounting pos. right |                 |            |

gaskets

O-rings


EPDM


|   |   |                 |              |
|---|---|-----------------|--------------|
| 1   |   |                 |              |
|  |  |                 |              |
| <b>Part No.</b>   | 510769  | <b>Ref. No.</b> | 0835.25303.1 |
| <b>description</b>  | O-ring EPDM thickness 2.62mm ID ø 25.07mm Qty 1 pcs                               |                 |              |

|  |  |                 |              |
|--|--|-----------------|--------------|
| 1  |  |                 |              |
|  |  |                 |              |
| <b>Part No.</b>  | 510009   | <b>Ref. No.</b> | 0835.35101.1 |
| <b>description</b>   | O-ring EPDM thickness 3.53mm ID ø 101.2mm Qty 1 pcs                                |                 |              |


sealing washers

fibre gaskets

|   |   |                 |          |
|---|---|-----------------|----------|
| 1   |   |                 |          |
|  |   |                 |          |
| <b>Part No.</b>   | 529349  | <b>Ref. No.</b> | 45300100 |
| <b>description</b>  | flat gasket FIBER ED ø 22mm ID ø 16.5mm thickness 2mm for thread 3/8" Qty 1 pcs |                 |          |

|   |   |                 |              |
|---|---|-----------------|--------------|
| 1   |   |                 |              |
|  |   |                 |              |
| <b>Part No.</b>   | 510730  | <b>Ref. No.</b> | 0840.25122.0 |
| <b>description</b>  | flat gasket fibre ED ø 25mm ID ø 12mm thickness 2mm Qty 1 pcs |                 |              |


rubber gaskets

|   |  |                 |     |
|---|--|-----------------|-----|
| 1   |  |                 |     |
|  |  |                 |     |
| <b>Part No.</b>   | 510876   | <b>Ref. No.</b> | N/A |
| <b>description</b>  | flat gasket rubber ED ø 45mm ID ø 33mm thickness 3mm Qty 1 pcs |                 |     |


springs


roller springs

roller springs

|  |   |                 |     |
|--|---|-----------------|-----|
| 1  |   |                 |     |
|  |   |                 |     |
| <b>Part No.</b>  | 511552  | <b>Ref. No.</b> | N/A |
| <b>description</b>   | roller spring complete incl. holder W 40mm ID ømm lug length 70mm |                 |     |

tension springs


|   |                                |                 |            |
|---|--------------------------------|-----------------|------------|
| 1   |                                |                 |            |
|  |                                |                 |            |
| <b>Part No.</b>   | 519394                         | <b>Ref. No.</b> | 260.017.00 |
| <b>description</b>  | tension spring ø 19mm L1 230mm |                 |            |

|  |                                |                 |            |
|--|--------------------------------|-----------------|------------|
| 1  |                                |                 |            |
|  |                                |                 |            |
| <b>Part No.</b>  | 519400                         | <b>Ref. No.</b> | 260.012.00 |
| <b>description</b>   | tension spring ø 19mm L1 300mm |                 |            |

fittings, hose and pipe connectors

hose connectors

producer-specific

|  |   |                 |                        |
|--|---|-----------------|------------------------|
| 1  |   |                 |                        |
|  |   |                 |                        |
| <b>Part No.</b>  | 691661                                    | <b>Ref. No.</b> | 412032015<br>451098000 |
| <b>description</b>   | angle piece thread M12x1 for hose ID 12mm |                 |                        |




## fastening material


### nuts

#### hexagonal nuts

#### hexagonal nuts metric (without norm)

|   |  |                 |            |
|---|--|-----------------|------------|
|  |  |                 |            |
| 1   |  |                 |            |
| <b>Part No.</b>   | 510792   | <b>Ref. No.</b> | 441.045.00 |
| <b>description</b>  | hexagonal nut thread M12x1 H 4mm WS 17 stainless steel Qty 1 pcs |                 |            |

#### hexagonal nuts inch thread

|   |  |                 |          |
|---|--|-----------------|----------|
|  |  |                 |          |
| 1   |  |                 |          |
| <b>Part No.</b>   | 506024                                   | <b>Ref. No.</b> | 44102000 |
| <b>description</b>  | nut thread 3/8" H 6mm SS WS 22 Qty 1 pcs |                 |          |



**GASTRO**PARTS.COM

