



**GASTROPARTS**

# Makro-Professional

- [EN]** Equipment
- [DE]** Geräte
- [ES]** Aparatos
- [FR]** Équipement
- [IT]** Attrezzature
- [PL]** Urządzenia
- [RU]** Оборудование

✉ [gastroparts@gastroparts.com](mailto:gastroparts@gastroparts.com)

☎ tel. +48 56 657 00 66

📘 [fb.com/gastroparts.global](https://fb.com/gastroparts.global)


**GASTROPARTS.COM**





induction

induction coils

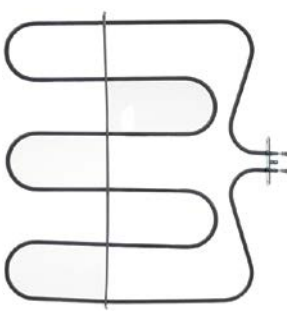


1


|                    |                                |                 |          |
|--------------------|--------------------------------|-----------------|----------|
| <b>Part No.</b>    | 404010                         | <b>Ref. No.</b> | AD100087 |
| <b>description</b> | induction coils ø 220mm H 10mm |                 |          |
| <b>For models:</b> | GIC3035                        |                 |          |

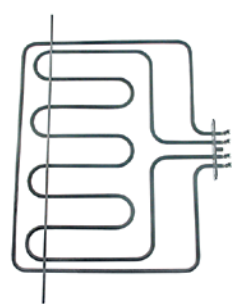
heating elements

heating elements for ovens




1

|   |  |                 |                   |
|---|--|-----------------|-------------------|
| <b>Part No.</b>   | 416969   | <b>Ref. No.</b> | 01203250          |
| <b>description</b>  | heating element 1400W 230V heating circuits 1 L 370mm W 400mm L1 45mm L2 325mm W1 184mm W2 30mm flange length 70mm flange width 22mm hole distance 46mm bridge length 420mm hole ø 5mm tube ø 6.3mm connection male faston 6.3mm windings 3 rectangular flange dry heating element |                 |                   |
| <b>For models:</b>  | GCO2001  |                 |                   |
| <b>accessories for</b>  | 416969   |                 |                   |
|  | <b>Part No.</b>  | 510368          | <b>Ref. No.</b> — |
|   | gasket L 70mm W 23.5mm hole ø 5mm hole distance 56mm FIBER thickness 2mm for heating element   |                 |                   |


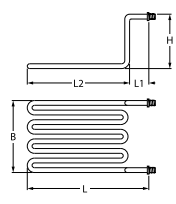


1

|   |  |                 |                          |
|---|--|-----------------|--------------------------|
| <b>Part No.</b>   | 416970   | <b>Ref. No.</b> | 01203240                 |
| <b>description</b>  | heating element 2800W 230V heating circuits 2 L 323mm W 393mm L1 30mm L2 293mm W1 166mm W2 61mm flange length 100mm flange width 22mm hole distance 76mm bridge length 485mm hole ø 5mm tube ø 6.3mm connection male faston 6.3mm rectangular flange dry heating element |                 |                          |
| <b>For models:</b>  | GCO2001  |                 |                          |
| <b>accessories for</b>  | 416970   |                 |                          |
|  | <b>Part No.</b>  | 528090          | <b>Ref. No.</b> 01000160 |
|   | gasket L 100mm W 22mm thickness 1mm  |                 |                          |


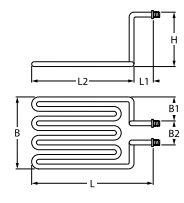
heating elements for fryers

2 hole fixing

1


|                    |   |                 |                 |
|--------------------|---|-----------------|-----------------|
| <b>Part No.</b>    | 417598  | <b>Ref. No.</b> | 1.07.HDF4140403 |
| <b>description</b> | heating element 2500W 230V heating circuits 1 L 290mm W 130mm H 200mm L1 40mm L2 230mm tube ø 8mm |                 |                 |
| <b>For models:</b> | GDF3004, GDF3024  |                 |                 |

1

|                    |  |                 |                 |
|--------------------|--|-----------------|-----------------|
| <b>Part No.</b>    | 417599   | <b>Ref. No.</b> | 1.07.HDF8141903 |
| <b>description</b> | heating element 3250W 230V heating circuits 1 thread M12x1.25 L 280mm W 190mm H 210mm L1 35mm L2 245mm W1 120mm W2 70mm tube ø 8mm connection M4 |                 |                 |
| <b>For models:</b> | GDF3008, GDF3028, GDF5008, GDF5028   |                 |                 |

heating elements for griddles

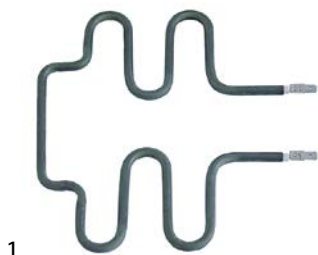


1

|                    |   |                 |        |
|--------------------|---|-----------------|--------|
| <b>Part No.</b>    | 419177  | <b>Ref. No.</b> | D02169 |
| <b>description</b> | heating element 1750W 230V heating circuits 1 L 255mm W 240mm H 60mm tube ø 6.3mm cable length 600mm bain marie connection distance 234mm dry heating element |                 |        |
| <b>For models:</b> | GEG2001   |                 |        |



## heating elements for hot dog machines



1

|                    |  |                 |        |
|--------------------|--|-----------------|--------|
| <b>Part No.</b>    | 416718   | <b>Ref. No.</b> | D02002 |
| <b>description</b> | heating element 300W 230V L 170mm W 198mm tube ø 6.3mm L1 50mm L2 120mm W1 68mm W2 62mm connection male faston 6.3mm connection distance 56mm dry heating element heating circuits 1 hot dog machine |                 |        |
| <b>For models:</b> | GHM1001  |                 |        |

## heating cables

## miscellaneous




1

|                    |  |                 |          |
|--------------------|--|-----------------|----------|
| <b>Part No.</b>    | 417745   | <b>Ref. No.</b> | W0310067 |
| <b>description</b> | heating cable 600V L 1100mm silicone connection plug GFR2700 |                 |          |
| <b>For models:</b> | GFR2700  |                 |          |

## quartz heating elements



1

|   |   |                 |                 |        |
|---|---|-----------------|-----------------|--------|
| <b>Part No.</b>   | 420089  | <b>Ref. No.</b> | D04034          |        |
| <b>description</b>  | quartz heating element 600W 115V L 365mm ø 11mm connection male faston 6.3mm              |                 |                 |        |
| <b>For models:</b>  | GTO1001, GTO2001  |                 |                 |        |
| <b>accessories for</b>  | 420089  |                 |                 |        |
|  | <b>Part No.</b>   | 551108          | <b>Ref. No.</b> | B07025 |
|   | spring clip stainless steel for quartz heating element L 39mm W 25mm H 13.5mm bore ø 10mm |                 |                 |        |

1



|                    |   |                 |        |
|--------------------|---|-----------------|--------|
| <b>Part No.</b>    | 551108  | <b>Ref. No.</b> | B07025 |
| <b>description</b> | spring clip stainless steel for quartz heating element L 39mm W 25mm H 13.5mm bore ø 10mm |                 |        |
| <b>For models:</b> | GTO1001, GTO2001  |                 |        |

## immersion heating elements

## 3 hole flange ø38.5mm



1


|   |  |                 |                 |        |
|---|--|-----------------|-----------------|--------|
| <b>Part No.</b>   | 416267   | <b>Ref. No.</b> | 905560          |        |
| <b>description</b>  | heating element 4500W 230V mounting ø 38.5mm heating circuits 3 L 358mm W 32mm H 58mm L1 36mm L2 72mm L3 250mm H1 28mm H2 30mm hole distance 57mm hole ø 10mm tube ø 6.3mm connection male faston 6.3mm immersion heater 3 hole flange |                 |                 |        |
| <b>For models:</b>  | GDW2001  |                 |                 |        |
| <b>spare parts for</b>  | 416267   |                 |                 |        |
|  | <b>Part No.</b>  | 521120          | <b>Ref. No.</b> | 907981 |
|   | O-ring EPDM thickness 5.34mm ID ø 37.47mm Qty 1 pcs  |                 |                 |        |
| <b>accessories for</b>  | 416267   |                 |                 |        |
|  | <b>Part No.</b>  | 532577          | <b>Ref. No.</b> | —      |
|   | O-ring EPDM thickness 5.34mm ID ø 40.65mm Qty 1 pcs  |                 |                 |        |

1


|   |  |                 |                 |   |
|---|--|-----------------|-----------------|---|
| <b>Part No.</b>   | 416260   | <b>Ref. No.</b> | 905745          |   |
| <b>description</b>  | heating element 2500W 230V heating circuits 1 L 357mm W 34mm H 39mm H1 4mm H2 35mm thread M10x1 mounting distance 28mm tube ø 6.3mm connection male faston 6.3mm 2 hole fixing immersion heater connection length 25mm |                 |                 |   |
| <b>For models:</b>  | GDW2001  |                 |                 |   |
| <b>accessories for</b>  | 416260   |                 |                 |   |
|  | <b>Part No.</b>  | 510416          | <b>Ref. No.</b> | — |
|   | flat gasket fibre ED ø 19mm ID ø 10.5mm thickness 1.5mm for thread M10 Qty 1 pcs   |                 |                 |   |
|  | <b>Part No.</b>  | 510893          | <b>Ref. No.</b> | — |
|   | O-ring EPDM thickness 2.62mm ID ø 9.92mm Qty 1 pcs   |                 |                 |   |
|  | <b>Part No.</b>  | 520231          | <b>Ref. No.</b> | — |
|   | nut thread M10x1 H 6mm WS 14 zinc-coated steel Qty 1 pcs   |                 |                 |   |
|  | <b>Part No.</b>  | 521129          | <b>Ref. No.</b> | — |
|   | nut thread M10 H 6mm SS WS 17 Qty 1 pcs DIN/ISO DIN 439  |                 |                 |   |




heating elements for convection




1

|   |  |                 |                 |
|---|--|-----------------|-----------------|
| <b>Part No.</b>   | 418044   | <b>Ref. No.</b> | 01203260        |
| <b>description</b>  | heating element 2500W 230V heating circuits 1 ID ø 180mm ED ø 192mm L 245mm H 28mm L1 45mm W1 30mm H1 3mm H2 25mm flange length 70mm flange width 22mm hole distance 56mm connection male faston 6.3mm tube ø 6.3mm convection heating element hole ø 5mm rectangular flange |                 |                 |
| <b>For models:</b>  | GCO2001  |                 |                 |
| <b>accessories for</b>  | 418044   |                 |                 |
|   | <b>Part No.</b>  | <b>Ref. No.</b> | <b>01000140</b> |
|  | gasket L 71mm W 21mm hole ø 5mm hole distance 57mm fibre thickness 1mm for heating element   |                 |                 |



1

|   |   |                 |          |
|---|---|-----------------|----------|
| <b>Part No.</b>   | 419243  | <b>Ref. No.</b> | RES30033 |
| <b>description</b>  | heating element 2700W 230V heating circuits 1 ID ø 180mm ED ø 193mm L 208mm H 30mm L1 8mm W1 30mm H1 7mm H2 23mm flange length 70 no to be sold in Francemm flange width 22mm hole distance 56mm connection male faston 6.3mm tube ø 6.3mm convection heating element hole ø 5mm rectangular flange 70 x 22mm with screws |                 |          |
| <b>For models:</b>  | GCO500  |                 |          |
| <b>spare parts for</b>  | 419243  |                 |          |
|   | <b>Part No.</b>   | <b>Ref. No.</b> | —        |
|  | sheet metal screws ø 3.9mm L 9.5mm SS Qty 20 pcs DIN 7981/ISO 7049 head ø 7.5mm oval head   |                 |          |

foil heating elements




1

|                    |  |                 |          |
|--------------------|--|-----------------|----------|
| <b>Part No.</b>    | 419256   | <b>Ref. No.</b> | W0310080 |
| <b>description</b> | foil heating element L 520mm W 220mm 61W 220V cable length 400mm connection plug GFR2700 |                 |          |
| <b>For models:</b> | GFR2700  |                 |          |

accessories

various

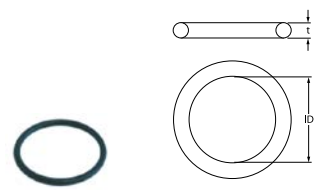


1

|                    |   |                 |        |
|--------------------|---|-----------------|--------|
| <b>Part No.</b>    | 551108  | <b>Ref. No.</b> | B07025 |
| <b>description</b> | spring clip stainless steel for quartz heating element L 39mm W 25mm H 13.5mm bore ø 10mm |                 |        |
| <b>For models:</b> | GTO1001, GTO2001  |                 |        |

sealing washers


O-rings



1


|                    |   |                 |        |
|--------------------|---|-----------------|--------|
| <b>Part No.</b>    | 521120  | <b>Ref. No.</b> | 907981 |
| <b>description</b> | O-ring EPDM thickness 5.34mm ID ø 37.47mm Qty 1 pcs |                 |        |
| <b>For models:</b> | GDW2001   |                 |        |

flange gaskets



1

|                    |                                     |                 |          |
|--------------------|-------------------------------------|-----------------|----------|
| <b>Part No.</b>    | 528090                              | <b>Ref. No.</b> | 01000160 |
| <b>description</b> | gasket L 100mm W 22mm thickness 1mm |                 |          |
| <b>For models:</b> | GCO2001                             |                 |          |




1

|                    |  |                 |          |
|--------------------|--|-----------------|----------|
| <b>Part No.</b>    | 550937   | <b>Ref. No.</b> | 01000140 |
| <b>description</b> | gasket L 71mm W 21mm hole ø 5mm hole distance 57mm fibre thickness 1mm for heating element |                 |          |
| <b>For models:</b> | GCO2001  |                 |          |

thermostats

bi-metal thermostats

safety bi-metal thermostats




1

|                    |  |                 |        |
|--------------------|--|-----------------|--------|
| <b>Part No.</b>    | 390717   | <b>Ref. No.</b> | 907297 |
| <b>description</b> | bi-metal safety thermostat hole distance 23.8mm switch-off temp. 110°C 1NC 1-pole 16A 250V connection F6.3 2 hole fixing mounting ø 18.3mm |                 |        |
| <b>For models:</b> | GDW2001  |                 |        |






bi-metal thermostats




1

|                    |   |                 |              |
|--------------------|---|-----------------|--------------|
| <b>Part No.</b>    | 390869  | <b>Ref. No.</b> | 253099000143 |
| <b>description</b> | bi-metal thermostat hole distance 23.5mm switch-off temp. 140°C 1NC 1-pole 10A 250V connection F4.8 Qty 1 pcs |                 |              |
| <b>For models:</b> | GMW1025   |                 |              |




1

|                    |   |                 |          |
|--------------------|---|-----------------|----------|
| <b>Part No.</b>    | 390634  | <b>Ref. No.</b> | TER30002 |
| <b>description</b> | bi-metal thermostat hole distance 23.5mm switch-off temp. 145°C 1NC 1-pole 16A 250V connection F6.3 2 hole fixing |                 |          |
| <b>For models:</b> | GCO500  |                 |          |



1

|                    |   |                 |              |
|--------------------|---|-----------------|--------------|
| <b>Part No.</b>    | 390867  | <b>Ref. No.</b> | 253099000224 |
| <b>description</b> | bi-metal thermostat hole distance 23.5mm switch-off temp. 180°C 1NC 1-pole 10A 250V connection F4.8 Qty 1 pcs |                 |              |
| <b>For models:</b> | GMW1025   |                 |              |



1

|                    |   |                 |        |
|--------------------|---|-----------------|--------|
| <b>Part No.</b>    | 390763  | <b>Ref. No.</b> | 907244 |
| <b>description</b> | bi-metal thermostat hole distance 23.8mm switch-off temp. 55°C 1NC 1-pole 16A 250V connection F6.3 2 hole fixing for tank |                 |        |
| <b>For models:</b> | GDW2001   |                 |        |

control and safety thermostats

EGO

control thermostats

55.17\_ series



1

|                    |  |                 |        |
|--------------------|--|-----------------|--------|
| <b>Part No.</b>    | 371320   | <b>Ref. No.</b> | A06032 |
| <b>description</b> | thermostat t.max. 280°C temperature range 30-280°C 1-pole 1NO 16A probe ø 3mm probe L 170mm capillary pipe 860mm capillary pipe isolatedmm gland nut shaft L 14mm shaft position upper rotation 270° |                 |        |
| <b>For models:</b> | GEG2001  |                 |        |



1

|                    |   |                 |          |
|--------------------|---|-----------------|----------|
| <b>Part No.</b>    | 391048  | <b>Ref. No.</b> | TER30016 |
| <b>description</b> | thermostat t.max. 292°C 1-pole 1NO probe ø 3mm probe L 182mm shaft ø 6x4.6mm shaft L 23mm shaft position upper° rotation 270° probe material SS with mounting accessories |                 |          |
| <b>For models:</b> | GCO500  |                 |          |

safety thermostats

55.32\_ series



1


|                    |  |                 |          |
|--------------------|--|-----------------|----------|
| <b>Part No.</b>    | 390999   | <b>Ref. No.</b> | 01202690 |
| <b>description</b> | safety thermostat switch-off temp. 350°C temperature range°C 2-pole NC 20A probe ø 3mm probe L 187mm capillary pipe 690mm capillary pipe isolated 680mm gland nut shaft ømm probe SS |                 |          |
| <b>For models:</b> | GCO2001  |                 |          |



IMIT / TEMPOMATIC / ARTHERMO

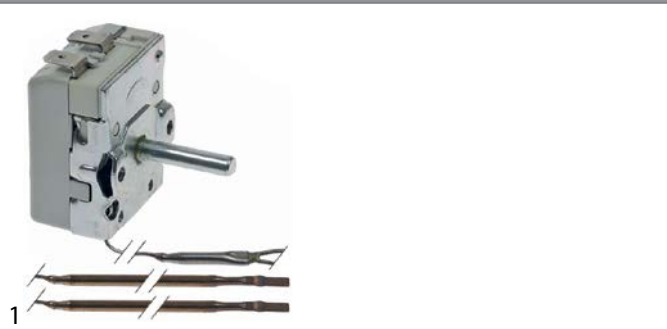
control thermostats



|   |   |                 |                        |
|---|---|-----------------|------------------------|
| <b>Part No.</b>   | 390683  | <b>Ref. No.</b> | TR0440                 |
| <b>description</b>  | thermostat t.max. 86°C temperature range 0-86°C 1-pole 1CO 16A probe ø 6.5mm probe L 98mm capillary pipe 1000mm capillary pipe isolated 960mm gland nut shaft ø 6x4.6mm shaft L 20mm shaft position +135° rotation 270° probe material copper |                 |                        |
| <b>For models:</b>  | GDW2001   |                 |                        |
| <b>accessories for</b>  | 390683  |                 |                        |
|  | <b>Part No.</b>   | 110100          | <b>Ref. No.</b> 903982 |
|   | knob thermostat t.max. 90°C 0-90°C ø 42mm shaft ø 6x4.6mm shaft flat -135° black  |                 |                        |

TECASA

control thermostats



|                    |  |                 |          |
|--------------------|--|-----------------|----------|
| <b>Part No.</b>    | 376091   | <b>Ref. No.</b> | 01201220 |
| <b>description</b> | thermostat t.max. 328°C temperature range 57-328°C 1-pole 1NO 16A probe ø 3mm probe L 98mm capillary pipe 1540mm capillary pipe isolatedmm gland nut shaft ø 6x4.6mm shaft L 21mm rotation 270° outer switch probe thread disc ømm |                 |          |
| <b>For models:</b> | GCO2001  |                 |          |

various

control thermostats



|                    |  |                 |              |
|--------------------|--|-----------------|--------------|
| <b>Part No.</b>    | 390871   | <b>Ref. No.</b> | 1.1.A.A06.02 |
| <b>description</b> | thermostat t.max. 95°C temperature range 0-95°C 1-pole 1NO 6A probe ø 6mm probe L 95mm capillary pipe 550mm capillary pipe isolated 490mm gland nut shaft ø 6x4mm shaft L 23mm shaft position 45° rotation 270° probe material zinc-coated steel 250V contacts male faston 4.8mm Qty 1 pcs |                 |              |
| <b>For models:</b> | GGC1078, GGC1078B  |                 |              |



|                    |   |                 |              |
|--------------------|---|-----------------|--------------|
| <b>Part No.</b>    | 390968  | <b>Ref. No.</b> | 1.06.1851713 |
| <b>description</b> | thermostatcontroller t.max. 185°C temperature range°C 2-pole 1NO 16A probe ø 6mm probe L 77mm capillary pipe 1500mm capillary pipe isolatedmm gland nut shaft ø 6x4.6mm shaft L 25mm shaft position upper rotation 270° probe material SS |                 |              |
| <b>For models:</b> | GDF3004, GDF3008, GDF3024, GDF3028, GDF5008, GDF5028  |                 |              |

safety thermostats



|                    |  |                 |                |
|--------------------|--|-----------------|----------------|
| <b>Part No.</b>    | 390970   | <b>Ref. No.</b> | 1.06.230171301 |
| <b>description</b> | safety thermostat switch-off temp. 230°C 2-pole 1NC 16A probe ø 5mm probe L 48mm capillary pipe 440mm capillary pipe isolated 150mm gland nut probe 250V model WQS-230 |                 |                |
| <b>For models:</b> | GDF3004, GDF3008, GDF3024, GDF3028, GDF5008, GDF5028   |                 |                |

refrigeration thermostats

universal with housing



|                    |   |                 |            |
|--------------------|---|-----------------|------------|
| <b>Part No.</b>    | 698867  | <b>Ref. No.</b> | GPC1046-09 |
| <b>description</b> | thermostat probe capillary pipe 650mm 1NO threaded type WPF17C-L2 |                 |            |
| <b>For models:</b> | GPC1046   |                 |            |



## switches and momentary switches

## rocker/momentary rocker switches

30x22mm



1

|                    |  |                 |   |
|--------------------|--|-----------------|---|
| <b>Part No.</b>    | 347791   | <b>Ref. No.</b> | 1.1.A.A07.10<br>205426<br>A07034<br>E2301GR00001<br>S900.01<br>W0308019 |
| <b>description</b> | rocker switch mounting measurements 30x22mm green 2NO 230V 20A illuminated 0-I connection male faston 6.3mm ambient temperature max. 125/55°C protection IP65 with rubber collar |                 |   |
| <b>For models:</b> | GCV1600, GDS2600, GFR2700, GHM1001, GHS1600, GHS2600, GJU1001, GPS2600, GRE2700, GSA2600, GSD2600, GSF2600   |                 |   |

ø20mm



1


|                    |  |                 |          |
|--------------------|--|-----------------|----------|
| <b>Part No.</b>    | 347803   | <b>Ref. No.</b> | DQKA0000 |
| <b>description</b> | rocker switch mounting measurements 20mm red 1NO 250V 15A 0-I connection male faston 4.8mm ambient temperature max. 85°C protection IP40 |                 |          |
| <b>For models:</b> | GSC1100G, GSC2336  |                 |          |

## push/momentary push switches

30x22mm



1

|   |   |                 |                             |
|---|---|-----------------|-----------------------------|
| <b>Part No.</b>   | 345712  | <b>Ref. No.</b> | 00000700296                 |
| <b>description</b>  | push switch mounting measurements 30x22mm red/green 2CO 250V 16A Stop / I connection male faston 6.3mm ambient temperature max. 85°C protection IP40 with indicator |                 |                             |
| <b>For models:</b>  | GFS1022, GFS1025, GFS1030, GFS2019, GFS2022, GFS2025, GFS2030   |                 |                             |
| <b>accessories for</b>  | 345712  |                 |                             |
|  | <b>Part No.</b>   | 301127          | <b>Ref. No.</b> 00000000285 |
| protective cover internal size 30x55mm transparent                                  |   |                 |                             |

ø22mm



1

|                    |  |                 |             |
|--------------------|--|-----------------|-------------|
| <b>Part No.</b>    | 301127   | <b>Ref. No.</b> | 00000000285 |
| <b>description</b> | protective cover internal size 30x55mm transparent   |                 |             |
| <b>For models:</b> | GFS1022, GFS1025, GFS1030, GFS2019, GFS2025, GFS2030 |                 |             |

## accessories

## push buttons



1

|                    |   |                 |        |
|--------------------|---|-----------------|--------|
| <b>Part No.</b>    | 348239  | <b>Ref. No.</b> | 905346 |
| <b>description</b> | push button for dishwasher shaft 3.7x3.7mm blue ED ø 21mm ID ø 19mm |                 |        |
| <b>For models:</b> | GDW2001   |                 |        |

## element holders



1

|                    |  |                 |        |
|--------------------|--|-----------------|--------|
| <b>Part No.</b>    | 348240                                     | <b>Ref. No.</b> | 905341 |
| <b>description</b> | element holder ø 23.5mm ID ø 21.5mm silver |                 |        |
| <b>For models:</b> | GDW2001                                    |                 |        |

## microswitches

## pin-plunger actuated



1

|                    |   |                 |              |
|--------------------|---|-----------------|--------------|
| <b>Part No.</b>    | 347799  | <b>Ref. No.</b> | 253039000003 |
| <b>description</b> | microswitch with plunger 250V 15A 1CO connection male faston 4.8mm ambient temperature max. 105°C mounting distance 22mm type W-15-102C actuating force: 180g white |                 |              |
| <b>For models:</b> | GMW1025   |                 |              |

## miscellaneous



1

|                    |   |                 |             |
|--------------------|---|-----------------|-------------|
| <b>Part No.</b>    | 347560  | <b>Ref. No.</b> | 00000000304 |
| <b>description</b> | microswitch with plunger mounting distance 22mm thread M10 thread L 14mm 250V 12A 1NO connection male faston 6.3mm stroke 3.5mm ambient temperature max. 125°C type VRSR03AA1 actuating force: 135g |                 |             |
| <b>For models:</b> | GFS1025   |                 |             |



with push button

switches with snap-fit



|                    |   |                 |          |
|--------------------|---|-----------------|----------|
| 1                  |   |                 |          |
| <b>Part No.</b>    | 348227  | <b>Ref. No.</b> | W0308012 |
| <b>description</b> | microswitch 250V 0.5A connection male faston 2.8mm for fridge GFR2700/GRE2700 |                 |          |
| <b>For models:</b> | GFR2700, GRE2700  |                 |          |



|                    |   |                 |          |
|--------------------|---|-----------------|----------|
| 1                  |   |                 |          |
| <b>Part No.</b>    | 348192  | <b>Ref. No.</b> | I0202070 |
| <b>description</b> | microswitch with push button 250VA 1NO connection male faston 6.3mm L 26x12mm ambient temperature max. 85°C actuating force: 500g |                 |          |
| <b>For models:</b> | GRE3600, GRE3600S   |                 |          |

position switches

METRO

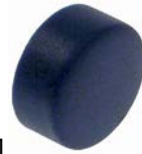


|                    |   |                 |                     |
|--------------------|---|-----------------|---------------------|
| 1                  |   |                 |                     |
| <b>Part No.</b>    | 348088  | <b>Ref. No.</b> | 1.05.035011HDFMS116 |
| <b>description</b> | microswitch 1NO 250V 16A L 41mm W 12mm H 44mm actuating force: 250g |                 |                     |
| <b>For models:</b> | GDF3004, GDF3008, GDF3024, GDF3028, GDF5008, GDF5028                |                 |                     |

system switches (ROLD)



|                    |   |                 |        |
|--------------------|---|-----------------|--------|
| 1                  |   |                 |        |
| <b>Part No.</b>    | 301104  | <b>Ref. No.</b> | 905312 |
| <b>description</b> | momentary switch unit 1NO 250V 16A connection male faston 6.3mm |                 |        |
| <b>For models:</b> | GDW2001   |                 |        |



|                    |   |                 |        |
|--------------------|---|-----------------|--------|
| 1                  |   |                 |        |
| <b>Part No.</b>    | 348239  | <b>Ref. No.</b> | 905346 |
| <b>description</b> | push button for dishwasher shaft 3.7x3.7mm blue ED ø 21mm ID ø 19mm |                 |        |
| <b>For models:</b> | GDW2001   |                 |        |



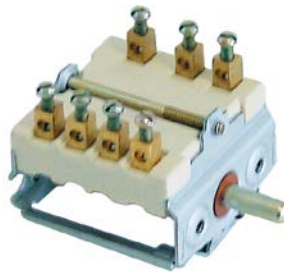
|                    |  |                 |        |
|--------------------|--|-----------------|--------|
| 1                  |  |                 |        |
| <b>Part No.</b>    | 345651   | <b>Ref. No.</b> | 905314 |
| <b>description</b> | switch 2CO 250V 16A connection male faston 6.3mm |                 |        |
| <b>For models:</b> | GDW2001  |                 |        |



|                    |  |                 |        |
|--------------------|--|-----------------|--------|
| 1                  |  |                 |        |
| <b>Part No.</b>    | 348238   | <b>Ref. No.</b> | 905447 |
| <b>description</b> | switch 2NO 250V 16A connection male faston 6.3mm type SA |                 |        |
| <b>For models:</b> | GDW2001  |                 |        |

cam switches

4-position



|                    |  |                 |        |
|--------------------|--|-----------------|--------|
| 1                  |  |                 |        |
| <b>Part No.</b>    | 300094   | <b>Ref. No.</b> | A01001 |
| <b>description</b> | cam switch 4 operating positions 1NO/2CO sequence 0-1-2-3 16A shaft ø 6x4.6mm shaft L 15mm connection screw 4-position ceramic |                 |        |
| <b>For models:</b> | GEG2001  |                 |        |



4 operating positions



|                    |   |                 |        |
|--------------------|---|-----------------|--------|
| <b>Part No.</b>    | 347101  | <b>Ref. No.</b> | A01017 |
| <b>description</b> | cam switch 4 operating positions 1NO/1CO sequence 0-1-2-3 13A shaft $\varnothing$ 6x4.6mm shaft L 23mm connection male faston 6.3mm plastic |                 |        |
| <b>For models:</b> | GTO1001, GTO2001  |                 |        |

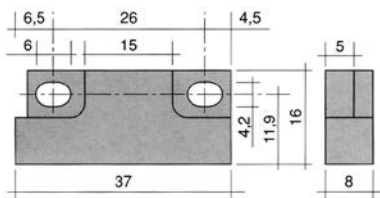
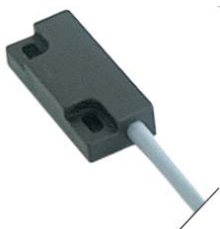
10 operating positions



|                    |  |                 |          |
|--------------------|--|-----------------|----------|
| <b>Part No.</b>    | 301205   | <b>Ref. No.</b> | 01200040 |
| <b>description</b> | cam switch 10 operating positions 5NO/1CO sequence 0-1-2-3-4-5-6-7-8-9 16A shaft $\varnothing$ 6x4.6mm shaft L 23mm connection male faston 6.3mm ceramic |                 |          |
| <b>For models:</b> | GCO2001  |                 |          |

magnetic switches

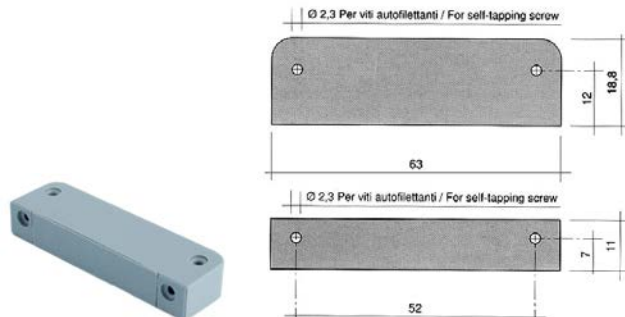
37x16mm




|                    |  |                 |        |
|--------------------|--|-----------------|--------|
| <b>Part No.</b>    | 345341   | <b>Ref. No.</b> | 909290 |
| <b>description</b> | magnetic switch L 37mm W 16mm 1NO 250V 0.04A P max. 10W connection cable length 1960mm |                 |        |
| <b>For models:</b> | GDW2001  |                 |        |

accessories

magnets



|   |   |                 |                   |
|---|---|-----------------|-------------------|
| <b>Part No.</b>   | 519049  | <b>Ref. No.</b> | 903651            |
| <b>description</b>  | magnet $\varnothing$ 8mm L 63mm H 10.7mm W 18.8mm hole distance 52mm M2 hole $\varnothing$ 2mm                    |                 |                   |
| <b>For models:</b>  | GDW2001   |                 |                   |
| <b>accessories for</b>  | 519049  |                 |                   |
|   | <b>Part No.</b>   | 560095          | <b>Ref. No.</b> — |
|  | sheet metal screws $\varnothing$ 2.9mm L 9.5mm SS Qty 20 pcs DIN 7981/ISO 7049 head $\varnothing$ 5.6mm oval head |                 |                   |

lamps

indicator lights

indicator lights 2-piece (lens and indicator lamp)

indicator light lenses

$\varnothing$  8mm (type RL-2)









|                    |  |                 |          |
|--------------------|--|-----------------|----------|
| <b>Part No.</b>    | 359819   | <b>Ref. No.</b> | 00002360 |
| <b>description</b> | indicator light lens green Qty 1 pcs $\varnothing$ 8mm |                 |          |
| <b>For models:</b> | GCO2001  |                 |          |





|                    |   |                 |          |
|--------------------|---|-----------------|----------|
| <b>Part No.</b>    | 359820  | <b>Ref. No.</b> | 00002350 |
| <b>description</b> | indicator light lens yellow Qty 1 pcs $\varnothing$ 8mm |                 |          |
| <b>For models:</b> | GCO2001   |                 |          |





| indicator lamps for socket type RL   |   |                 |                          |
|--|---|-----------------|--------------------------|
|  <p>1</p> |   |                 |                          |
| <b>Part No.</b>  | 359818  | <b>Ref. No.</b> | 01200330<br>IND30009     |
| <b>description</b>   | indicator light 230V clear connection male faston 6.3mm |                 |                          |
| <b>For models:</b>   | GCO2001, GCO500   |                 |                          |
| <b>accessories for</b>   | 359818  |                 |                          |
|           | <b>Part No.</b>   | 359820          | <b>Ref. No.</b> 00002350 |
|  | indicator light lens yellow Qty 1 pcs ø 8mm             |                 |                          |
|           | <b>Part No.</b>   | 359833          | <b>Ref. No.</b> —        |
|  | indicator light lens red Qty 1 pcs ø 8mm                |                 |                          |
|           | <b>Part No.</b>   | 359948          | <b>Ref. No.</b> —        |
|  | indicator light lens clear Qty 1 pcs ø 8mm              |                 |                          |


|  |   |                 |                          |
|--|---|-----------------|--------------------------|
|  <p>1</p> |   |                 |                          |
| <b>Part No.</b>  | 359817  | <b>Ref. No.</b> | 01200340                 |
| <b>description</b>   | indicator light 230V green connection male faston 6.3mm |                 |                          |
| <b>For models:</b>   | GCO2001   |                 |                          |
| <b>accessories for</b>   | 359817  |                 |                          |
|         | <b>Part No.</b>   | 359819          | <b>Ref. No.</b> 00002360 |
|  | indicator light lens green Qty 1 pcs ø 8mm              |                 |                          |


| indicator lights (complete)  |  |                 |        |
|--|--|-----------------|--------|
| ø 6mm  |  |                 |        |
|  <p>1</p> |  |                 |        |
| <b>Part No.</b>  | 359005   | <b>Ref. No.</b> | 903644 |
| <b>description</b>   | indicator light ø 6mm 230V yellow cable length 400mm |                 |        |
| <b>For models:</b>   | GDW2001  |                 |        |


| ø 9mm  |  |                 |        |
|--|--|-----------------|--------|
|  <p>1</p> |  |                 |        |
| <b>Part No.</b>  | 360766   | <b>Ref. No.</b> | 903688 |
| <b>description</b>   | indicator light ø 8.5mm green 250V connection male faston 6.3mm cable length 270mm temp.-resist. 120°C |                 |        |
| <b>For models:</b>   | GDW2001  |                 |        |


|   |  |                 |        |
|---|--|-----------------|--------|
|  <p>1</p> |  |                 |        |
| <b>Part No.</b>   | 360765   | <b>Ref. No.</b> | 903686 |
| <b>description</b>  | indicator light ø 8.5mm yellow 250V connection male faston 6.3mm cable length 260/400mm temp.-resist. 90°C |                 |        |
| <b>For models:</b>  | GDW2001  |                 |        |

|   |   |                 |        |
|---|---|-----------------|--------|
|  <p>1</p> |   |                 |        |
| <b>Part No.</b>   | 360767  | <b>Ref. No.</b> | 903685 |
| <b>description</b>  | indicator light ø 8.5mm yellow 250V connection male faston 6.3mm cable length 260mm temp.-resist. 120°C |                 |        |
| <b>For models:</b>  | GDW2001   |                 |        |

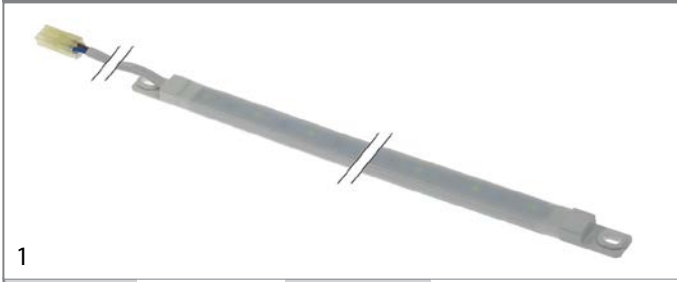
| ø12mm  |  |                 |        |
|--|--|-----------------|--------|
| with plug-in socket  |  |                 |        |
|  <p>1</p> |  |                 |        |
| <b>Part No.</b>  | 359041   | <b>Ref. No.</b> | A08009 |
| <b>description</b>   | indicator light ø 12mm green 230V connection male faston 6.3mm temp.-resist. 120°C Qty 1 pcs |                 |        |
| <b>For models:</b>   | GEG2001  |                 |        |

|  |   |                 |        |
|--|---|-----------------|--------|
|  <p>1</p> |   |                 |        |
| <b>Part No.</b>  | 359042  | <b>Ref. No.</b> | A08003 |
| <b>description</b>   | indicator light ø 12mm yellow 230V connection male faston 6.3mm temp.-resist. 120°C Qty 1 pcs |                 |        |
| <b>For models:</b>   | GEG2001, GTO1001, GTO2001   |                 |        |

| ø14mm  |  |                 |               |
|--|--|-----------------|---------------|
| with screw socket  |  |                 |               |
|  <p>1</p> |  |                 |               |
| <b>Part No.</b>  | 360622   | <b>Ref. No.</b> | 1.03.00020013 |
| <b>description</b>   | indicator light ø 14mm green 220V connection male faston 4.8mm plastic |                 |               |
| <b>For models:</b>   | GDF3004, GDF3008, GDF3024, GDF3028, GDF5008, GDF5028                   |                 |               |

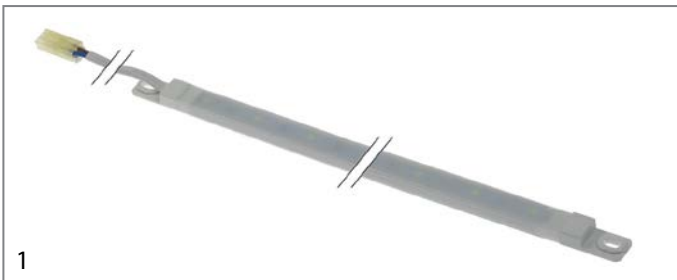
|  |   |                 |               |
|--|---|-----------------|---------------|
|  <p>1</p> |   |                 |               |
| <b>Part No.</b>  | 360621  | <b>Ref. No.</b> | 1.03.00020017 |
| <b>description</b>   | indicator light ø 14mm yellow 220V connection male faston 4.8mm plastic |                 |               |
| <b>For models:</b>   | GDF3004, GDF3008, GDF3024, GDF3028, GDF5008, GDF5028                    |                 |               |



**LED****LED bars**

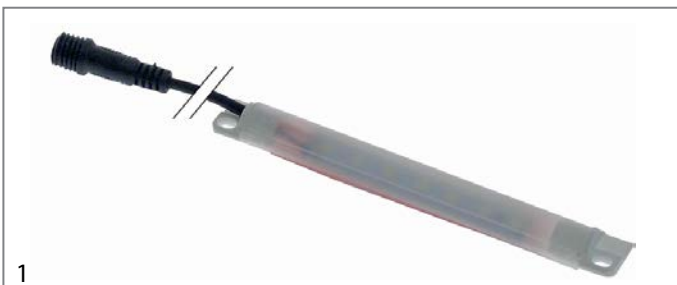
1

|                    |   |                 |          |
|--------------------|---|-----------------|----------|
| <b>Part No.</b>    | 357257  | <b>Ref. No.</b> | DQLED007 |
| <b>description</b> | LED bar L 1100mm W 14.4mm H 7.5mm 24VDC white number of lamps 36 cable length 120mm |                 |          |
| <b>For models:</b> | GSC2336   |                 |          |



1

|                    |   |                 |          |
|--------------------|---|-----------------|----------|
| <b>Part No.</b>    | 357256  | <b>Ref. No.</b> | DQLED008 |
| <b>description</b> | LED bar L 1200mm W 14.4mm H 7.5mm 24VDC white number of lamps 42 cable length 120mm |                 |          |
| <b>For models:</b> | GSC1100G  |                 |          |



1


|                 |        |                 |                      |
|-----------------|--------|-----------------|----------------------|
| <b>Part No.</b> | 357260 | <b>Ref. No.</b> | W0304086<br>W0304511 |
|-----------------|--------|-----------------|----------------------|

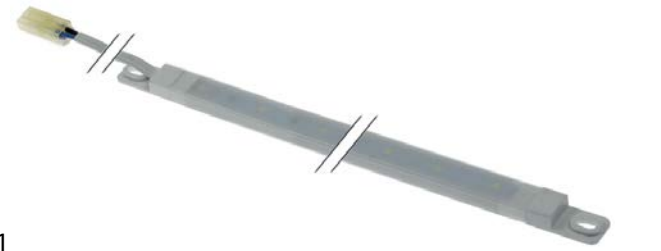
|                    |   |  |  |
|--------------------|---|--|--|
| <b>description</b> | LED bar L 130mm W 14mm H 8mm cable length 300mm GFR2700/GRE2700 |  |  |
|--------------------|---|--|--|

|                    |                  |  |  |
|--------------------|------------------|--|--|
| <b>For models:</b> | GFR2700, GRE2700 |  |  |
|--------------------|------------------|--|--|

|                        |        |  |  |
|------------------------|--------|--|--|
| <b>accessories for</b> | 357260 |  |  |
|------------------------|--------|--|--|

|                 |        |                 |          |
|-----------------|--------|-----------------|----------|
| <b>Part No.</b> | 692879 | <b>Ref. No.</b> | W0409863 |
|-----------------|--------|-----------------|----------|

|  |  |  |  |
|--|--|--|--|
|  | cover for lamp L 185mm W 55mm H 40mm for GFR2700/GRE2700 |  |  |
|--|--|--|--|



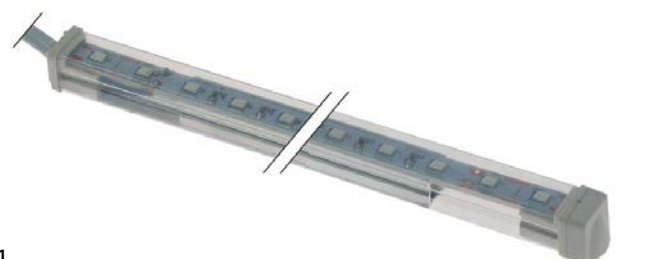
1

|                    |  |                 |          |
|--------------------|--|-----------------|----------|
| <b>Part No.</b>    | 357255   | <b>Ref. No.</b> | DQLED011 |
| <b>description</b> | LED bar L 370mm W 14.4mm H 7.5mm 24VDC white number of lamps 18 cable length 380mm |                 |          |
| <b>For models:</b> | GSC2336  |                 |          |



1

|                    |  |                 |          |
|--------------------|--|-----------------|----------|
| <b>Part No.</b>    | 357251   | <b>Ref. No.</b> | DQLED066 |
| <b>description</b> | LED bar L 400mm W 12mm H 12mm 24V blue number of lamps 30 cable length 280mm |                 |          |
| <b>For models:</b> | GBC1102  |                 |          |



1

|                    |  |                 |          |
|--------------------|--|-----------------|----------|
| <b>Part No.</b>    | 357241   | <b>Ref. No.</b> | DQLED067 |
| <b>description</b> | LED bar L 600mm W 11.5mm H 12.5mm 24V number of lamps 42 cable length 285mm voltage DC |                 |          |
| <b>For models:</b> | GBC1103  |                 |          |



1

|                    |  |                 |                 |
|--------------------|--|-----------------|-----------------|
| <b>Part No.</b>    | 357138   | <b>Ref. No.</b> | 1.1.A.A01.03.03 |
| <b>description</b> | LED bar L 698mm W 13mm H 13mm 230V number of lamps 27 cable length 800mm |                 |                 |
| <b>For models:</b> | GCV1600  |                 |                 |

**accessories**

1

|                    |   |                 |              |
|--------------------|---|-----------------|--------------|
| <b>Part No.</b>    | 357152  | <b>Ref. No.</b> | 1.1.B.B25.20 |
| <b>description</b> | power supply for LEDs RT-130-2-24cm Qty 1 pcs |                 |              |
| <b>For models:</b> | GCV1600                                       |                 |              |





fluorescent lamps

fluorescent lamps

G5



|                    |   |                 |          |
|--------------------|---|-----------------|----------|
| <b>Part No.</b>    | 357156  | <b>Ref. No.</b> | DQDA0009 |
| <b>description</b> | fluorescent lamp socket G5 L 285mm 8W ø 16mm 230VT5/865 Qty 1 pcs |                 |          |
| <b>For models:</b> | GBC1001, GBC1001S, GBC1001SS                                      |                 |          |



|                    |   |                 |          |
|--------------------|---|-----------------|----------|
| <b>Part No.</b>    | 357148  | <b>Ref. No.</b> | DQDA0010 |
| <b>description</b> | fluorescent lamp socket G5 L 547mm 14W ø 16mm 230V T5/865 Qty 1 pcs |                 |          |
| <b>For models:</b> | GBC1002, GBC1002S, GBC1002SS, GBC1003, GBC1003S, GBC1003SS          |                 |          |

accessories

sockets



|                    |  |                 |          |
|--------------------|--|-----------------|----------|
| <b>Part No.</b>    | 381169   | <b>Ref. No.</b> | SLJY2010 |
| <b>description</b> | lamp holder socket G13 L 26.5mm W 24.5mm Qty 1 pcs for fluorescent lamps |                 |          |



|                    |  |                 |          |
|--------------------|--|-----------------|----------|
| <b>Part No.</b>    | 381447   | <b>Ref. No.</b> | SLZA3000 |
| <b>description</b> | lamp socket socket G13 L 33mm W 10mm H 28mm  |                 |          |
| <b>For models:</b> | GBC1001, GBC1001S, GBC1001SS, GBC1002, GBC1002S, GBC1002SS, GBC1003, GBC1003S, GBC1003SS |                 |          |

starter holders



|                    |  |                 |          |
|--------------------|--|-----------------|----------|
| <b>Part No.</b>    | 381170   | <b>Ref. No.</b> | SLZA1000 |
| <b>description</b> | starter holder L 32mm W 24mm housing ø 23mm Qty 1 pcs                                    |                 |          |
| <b>For models:</b> | GBC1001, GBC1001S, GBC1001SS, GBC1002, GBC1002S, GBC1002SS, GBC1003, GBC1003S, GBC1003SS |                 |          |

starter



|                    |  |                 |          |
|--------------------|--|-----------------|----------|
| <b>Part No.</b>    | 380464   | <b>Ref. No.</b> | DQDF0000 |
| <b>description</b> | starter 4-65W  |                 |          |
| <b>For models:</b> | GBC1001, GBC1001S, GBC1001SS, GBC1002, GBC1002S, GBC1002SS, GBC1003, GBC1003S, GBC1003SS |                 |          |



|                    |   |                 |                 |
|--------------------|---|-----------------|-----------------|
| <b>Part No.</b>    | 357150  | <b>Ref. No.</b> | 1.1.A.A01.02.01 |
| <b>description</b> | starter for fluorescent lamps L 69mm W 38.5mm 11W type HG-YZ11E Qty 1 pcs |                 |                 |
| <b>For models:</b> | GGC1078, GGC1078B, GGC2270, GGC2270B                                      |                 |                 |

ballasts



|                    |  |                 |          |
|--------------------|--|-----------------|----------|
| <b>Part No.</b>    | 403192   | <b>Ref. No.</b> | DQZB0005 |
| <b>description</b> | electrical ballast 15W 220-240V connection screw clamp for fluorescent lamps type JF-1595M Qty 1 pcs |                 |          |
| <b>For models:</b> | GBC1002, GBC1002S, GBC1002SS, GBC1003, GBC1003S, GBC1003SS   |                 |          |



|                    |  |                 |          |
|--------------------|--|-----------------|----------|
| <b>Part No.</b>    | 403190   | <b>Ref. No.</b> | DQZA0027 |
| <b>description</b> | electrical ballast 30W 220-240V connection screw clamp for fluorescent lamps type JF-3095W Qty 1 pcs |                 |          |




|                    |  |                 |          |
|--------------------|--|-----------------|----------|
| <b>Part No.</b>    | 403191   | <b>Ref. No.</b> | DQZB0029 |
| <b>description</b> | electrical ballast 9W 220V connection screw clamp for fluorescent lamps type JF-995M Qty 1 pcs |                 |          |
| <b>For models:</b> | GBC1001, GBC1001S, GBC1001SS   |                 |          |


covers







|                    |                              |                 |          |
|--------------------|------------------------------|-----------------|----------|
| <b>Part No.</b>    | 699314                       | <b>Ref. No.</b> | SLZV0017 |
| <b>description</b> | cover L 510mm W 30mm H 30mm  |                 |          |
| <b>For models:</b> | GBC1001, GBC1001S, GBC1001SS |                 |          |




|   |                             |                 |          |
|---|-----------------------------|-----------------|----------|
|  |                             |                 |          |
| 1   |                             |                 |          |
| <b>Part No.</b>   | 694873                      | <b>Ref. No.</b> | SLSE2008 |
| <b>description</b>  | cover L 590mm W 280mm H 1mm |                 |          |
| <b>For models:</b>  | GSC2336                     |                 |          |

|   |   |                 |          |
|---|---|-----------------|----------|
|  |   |                 |          |
| 1   |   |                 |          |
| <b>Part No.</b>   | 699312                                  | <b>Ref. No.</b> | SLZV0018 |
| <b>description</b>  | cover L 810mm W 30mm H 30mm transparent |                 |          |
| <b>For models:</b>  | GBC1002, GBC1002S, GBC1002SS, GBC1102   |                 |          |

|   |   |                 |                   |
|---|---|-----------------|-------------------|
|    |   |                 |                   |
| 1   |   |                 |                   |
| <b>Part No.</b>   | 694874  | <b>Ref. No.</b> | SLZQ0037          |
| <b>description</b>  | cover set mounting pos. right and left W 82mm H 280mm D 34                  |                 |                   |
| <b>For models:</b>  | GSC1100G, GSC2336   |                 |                   |
| <b>spare parts for</b>  | 694874  |                 |                   |
|   | <b>Part No.</b>   | 692393          | <b>Ref. No.</b> — |
|   | bezel for cover mounting pos. right W 82mm H 280mm D 34mm plastic Qty 1 pcs |                 |                   |
|  | <b>Part No.</b>   | 692394          | <b>Ref. No.</b> — |
|   | bezel for cover mounting pos. left W 82mm H 280mm D 34mm plastic Qty 1 pcs  |                 |                   |

|   |   |                 |          |
|---|---|-----------------|----------|
|  |   |                 |          |
| 1   |   |                 |          |
| <b>Part No.</b>   | 694872  | <b>Ref. No.</b> | SLJV2040 |
| <b>description</b>  | cover support L 610mm W 20mm H 55mm mounting pos. lower |                 |          |
| <b>For models:</b>  | GSC2336   |                 |          |

|   |   |                 |          |
|---|---|-----------------|----------|
|  |   |                 |          |
| 1   |   |                 |          |
| <b>Part No.</b>   | 694871  | <b>Ref. No.</b> | SLJV2041 |
| <b>description</b>  | cover support L 610mm W 20mm H 55mm mounting pos. upper |                 |          |
| <b>For models:</b>  | GSC2336   |                 |          |

## microwave lamps




### light bulbs


|   |  |                 |              |
|---|--|-----------------|--------------|
|  |  |                 |              |
| 1   |  |                 |              |
| <b>Part No.</b>   | 357175   | <b>Ref. No.</b> | 253079000039 |
| <b>description</b>  | light bulb socket E14 230V 20W ø 25mm L 63mm Qty 1 pcs lens L 37mm |                 |              |
| <b>For models:</b>  | GMW1025  |                 |              |

## oven lamps

### universal oven lamps



mounting diameter 35.5mm

|  |  |                 |                   |
|--|--|-----------------|-------------------|
|  |  |                 |                   |
| 1  |  |                 |                   |
| <b>Part No.</b>  | 359718   | <b>Ref. No.</b> | 00002330          |
| <b>description</b>   | oven lamp mounting ø 35.5mm 230V 15W socket E14 temp.-resist. 300°C connection male faston 6.3mm hard glas |                 |                   |
| <b>For models:</b>   | GCO2001  |                 |                   |
| <b>spare parts for</b>   | 359718   |                 |                   |
|   | <b>Part No.</b>  | 359701          | <b>Ref. No.</b> — |
|  | lamp socket socket E14 220-230V mounting ø 35.5mm connection male faston 6.3mm 15W                         |                 |                   |
|   | <b>Part No.</b>  | 359740          | <b>Ref. No.</b> — |
|  | light bulb t.max. 300°C socket E14 15W 230V ø 22mm L 48mm lens L 20mm for oven lamp IMPORT                 |                 |                   |

|  |   |                 |          |
|--|---|-----------------|----------|
|  |   |                 |          |
| 1  |   |                 |          |
| <b>Part No.</b>  | 357176  | <b>Ref. No.</b> | LAM30006 |
| <b>description</b>   | oven lamp mounting ø 35.5mm 230V 40W socket G9 temp.-resist. 300°C connection cable 100mm hard glas |                 |          |
| <b>For models:</b>   | GCO500  |                 |          |

## lamp accessories

### fascias

|  |   |                 |                                      |
|--|---|-----------------|--------------------------------------|
|  |   |                 |                                      |
| 1  |   |                 |                                      |
| <b>Part No.</b>  | 692879  | <b>Ref. No.</b> | W0409863                             |
| <b>description</b>   | cover for lamp L 185mm W 55mm H 40mm for GFR2700/GRE2700        |                 |                                      |
| <b>For models:</b>   | GFR2700, GRE2700  |                 |                                      |
| <b>accessories for</b>   | 692879  |                 |                                      |
|   | <b>Part No.</b>   | 357260          | <b>Ref. No.</b> W0304086<br>W0304511 |
|  | LED bar L 130mm W 14mm H 8mm cable length 300mm GFR2700/GRE2700 |                 |                                      |



timers

mechanical timers




1

|                    |   |                 |          |
|--------------------|---|-----------------|----------|
| <b>Part No.</b>    | 350130  | <b>Ref. No.</b> | PRG30001 |
| <b>description</b> | timer M11 with bell 1-pole operation time 120min impulse mechanical 1NO at 250V 16A permanent position yes shaft ø 6x4.6mm shaft L 23mm mounting distance 28mm mounting thread M4 connection male faston 6.3mm 4 hole fixing shaft flat upper |                 |          |
| <b>For models:</b> | GCO500  |                 |          |



1

|   |   |                 |                   |
|---|---|-----------------|-------------------|
| <b>Part No.</b>   | 350186  | <b>Ref. No.</b> | 01202980          |
| <b>description</b>  | timer M2 2-pole operation time 120min impulse mechanical 2CO at 250V 16A permanent position yes shaft ø 6x4.6mm shaft L 23mm mounting distance 28mm |                 |                   |
| <b>For models:</b>  | GCO2001   |                 |                   |
| <b>accessories for</b>  | 350186  |                 |                   |
|  | <b>Part No.</b>   | 112627          | <b>Ref. No.</b> — |
|   | knob time 120min ø 58mm shaft ø 6x4.6mm shaft flat lower  |                 |                   |



1

|                    |   |                 |        |
|--------------------|---|-----------------|--------|
| <b>Part No.</b>    | 360164  | <b>Ref. No.</b> | A02008 |
| <b>description</b> | timer MT49 2-pole operation time 15min impulse mechanical 2NO at 250V 16A permanent position yes shaft 6x4.6mm shaft L 16mm mounting distance 28mm connection lateral |                 |        |
| <b>For models:</b> | GTO1001, GTO2001  |                 |        |

defrost timers

miscellaneous



1

|                    |  |                 |              |
|--------------------|--|-----------------|--------------|
| <b>Part No.</b>    | 360553   | <b>Ref. No.</b> | 1.1.A.A05.06 |
| <b>description</b> | defrost timer SONXIE type DBZF-625-2G2B defrosting interval 6h defrosting time 2minmin fan delaymin 200-240V Qty 1 pcs |                 |              |
| <b>For models:</b> | GGC1078, GGC1078B  |                 |              |

alarm devices

buzzer boards



1

|                    |   |                 |          |
|--------------------|---|-----------------|----------|
| <b>Part No.</b>    | 401062  | <b>Ref. No.</b> | 01201250 |
| <b>description</b> | buzzer board 230VAC L 48mm W 45mm connection Faston 6.3mm |                 |          |
| <b>For models:</b> | GCO2001   |                 |          |


contactors

LOVATO

power contactors



1

|   |  |                 |                   |
|---|--|-----------------|-------------------|
| <b>Part No.</b>   | 380705   | <b>Ref. No.</b> | 907190            |
| <b>description</b>  | power contactor resistive load 20A 230VAC (AC3/400V) 9A/4kW main contacts 3NO auxiliary contacts 1NO connection screw connection type 11BG0910A230 |                 |                   |
| <b>For models:</b>  | GDW2001  |                 |                   |
| <b>accessories for</b>  | 380705   |                 |                   |
|  | <b>Part No.</b>  | 380057          | <b>Ref. No.</b> — |
|   | auxiliary contact contacts 1NO/1NC AC1 10A for contactors BG series connection screw type BGX1011  |                 |                   |

## solid state relays

### accessories

#### diodes

#### high voltage diodes



1

|                    |   |                 |              |
|--------------------|---|-----------------|--------------|
| <b>Part No.</b>    | 403261  | <b>Ref. No.</b> | 253089000101 |
| <b>description</b> | hv diode type RG501 connection F6.3mm / lug M4 cable lengthmm for microwave Qty 1 pcs |                 |              |
| <b>For models:</b> | GMW1025   |                 |              |

## relays

### power relays

#### with bracket mounting



1

|                    |  |                 |          |
|--------------------|--|-----------------|----------|
| <b>Part No.</b>    | 380867   | <b>Ref. No.</b> | DQWBZJ02 |
| <b>description</b> | relay SHANGFANG 12VDC 30A 1NO connection male faston 6.3mm screw mounting at 250V 30A manuf. no. 855AW-1A-C1 |                 |          |
| <b>For models:</b> | GSC1100G, GSC2336  |                 |          |

## magnetrons



1

|                    |                           |                 |              |
|--------------------|---------------------------|-----------------|--------------|
| <b>Part No.</b>    | 403173                    | <b>Ref. No.</b> | 253017000051 |
| <b>description</b> | Magnetron type 2M248J(JT) |                 |              |
| <b>For models:</b> | GMW1025                   |                 |              |

## transformers

### power supplies



1

|                    |   |                 |          |
|--------------------|---|-----------------|----------|
| <b>Part No.</b>    | 403903  | <b>Ref. No.</b> | W0399114 |
| <b>description</b> | power supply primary 100-240VAC secondary 24VDC H 30mm L 85mm W 45mm 50/60Hz type JKY36-SP2400600 |                 |          |
| <b>For models:</b> | GFR2700   |                 |          |



1

|                    |  |                 |          |
|--------------------|--|-----------------|----------|
| <b>Part No.</b>    | 403902   | <b>Ref. No.</b> | W0399115 |
| <b>description</b> | power supply primary 100-240VAC secondary 24VDC H 34mm L 114mm W 45mm 50/60Hz type JKY36-SP2401500 GRE2700 |                 |          |
| <b>For models:</b> | GRE2700  |                 |          |

### HV transformers



1

|                    |  |                 |              |
|--------------------|--|-----------------|--------------|
| <b>Part No.</b>    | 403257   | <b>Ref. No.</b> | 253029000256 |
| <b>description</b> | HV transformer primary 230-240V 50Hz type GAL-1000E-1G for microwave |                 |              |
| <b>For models:</b> | GMW1025  |                 |              |

### miscellaneous



1

|                    |   |                 |          |
|--------------------|---|-----------------|----------|
| <b>Part No.</b>    | 403660  | <b>Ref. No.</b> | DQLED069 |
| <b>description</b> | transformer primary 100-240V secondary 24VDC 20VA secondary 0.84A         |                 |          |
| <b>For models:</b> | GBC1001, GBC1001S, GBC1002, GBC1002S, GBC1003, GBC1003S, GBC1102, GBC1103 |                 |          |



1

|                    |   |                 |          |
|--------------------|---|-----------------|----------|
| <b>Part No.</b>    | 403867  | <b>Ref. No.</b> | DQLED055 |
| <b>description</b> | transformer primary 100-240V secondary 24VDC secondary 0.42A H 25mm L 95mm W 40mm |                 |          |
| <b>For models:</b> | GSC1100G, GSC2336   |                 |          |



electronic controllers

DIXELL

refrigeration controllers

built-in version



1

|                        |   |                 |              |
|------------------------|---|-----------------|--------------|
| <b>Part No.</b>        | 378256  | <b>Ref. No.</b> | S900.02      |
| <b>description</b>     | electronic controller DIXELL XR02CX-5N0C0 mounting measurements 71x29mm built-in depth 56mm 230V voltage AC NTC relay outputs 1 CO-8A(4) NTC protection IP54 defrosting function/time control -40 up to +110°C display 2½ digit |                 |              |
| <b>For models:</b>     | GHS1600, GHS2600  |                 |              |
| <b>spare parts for</b> | 378256  |                 |              |
|                        | <b>Part No.</b>   | <b>Ref. No.</b> | —            |
|                        | temperature probe NTC 10kOhm cable thermoplastic probe -40 up to +110°C cable -40 up to +110°C probe ø6x14mm cable length 3m without screw connection 2-wire  |                 |              |
| <b>accessories for</b> | 378256  |                 |              |
|                        | <b>Part No.</b>   | <b>Ref. No.</b> | —            |
|                        | temperature probe NTC 10kOhm cable PVC probe -20 up to +80°C cable -10 up to 100°C probe ø7x24.5mm cable length 1.5m without screw connection 2-wire  |                 |              |
|                        | <b>Part No.</b>   | <b>Ref. No.</b> | —            |
|                        | temperature probe NTC 10kOhm cable PVC probe -20 up to +80°C cable -10 up to 100°C probe ø6x25mm cable length 3m 2-wire   |                 |              |
|                        | <b>Part No.</b>   | <b>Ref. No.</b> | E21010150001 |
|                        | temperature probe NTC 10kOhm cable thermoplastic probe -40 up to +110°C cable -40 up to +110°C probe ø6x14mm cable length 1.5m without screw connection 2-wire  |                 |              |
|                        | <b>Part No.</b>   | <b>Ref. No.</b> | —            |
|                        | temperature probe NTC 10kOhm cable thermoplastic probe -40 up to +110°C cable -40 up to +110°C probe ø6x14mm cable length 3m without screw connection 2-wire  |                 |              |
|                        | <b>Part No.</b>   | <b>Ref. No.</b> | —            |
|                        | temperature probe NTC 10kOhm cable silicone probe -40 up to +110°C cable -50 up to +180°C probe ø6x40mm cable length 3m 2-wire  |                 |              |
|                        | <b>Part No.</b>   | <b>Ref. No.</b> | —            |
|                        | temperature probe NTC 10kOhm cable silicone probe -40 up to +110°C cable -50 up to +180°C probe ø6x40mm cable length 1.5m without screw connection 2-wire   |                 |              |



1

|                        |   |                 |              |
|------------------------|---|-----------------|--------------|
| <b>Part No.</b>        | 378267  | <b>Ref. No.</b> | E20A111C4D00 |
| <b>description</b>     | electronic controller DIXELL XR02CX-5N0C1 mounting measurements 71x29mm built-in depth 56mm 230V voltage AC NTC relay outputs 1 NO-20A(8) NTC DI protection IP54 defrosting function/time control -40 up to +110°C display 2½ digit |                 |              |
| <b>For models:</b>     | GDS2600, GPS2600, GSA2600, GSD2600, GSF2600   |                 |              |
| <b>accessories for</b> | 378267  |                 |              |
|                        | <b>Part No.</b>   | <b>Ref. No.</b> | —            |
|                        | temperature probe NTC 10kOhm cable thermoplastic probe -40 up to +110°C cable -40 up to +110°C probe ø6x14mm cable length 3m without screw connection 2-wire  |                 |              |
|                        | <b>Part No.</b>   | <b>Ref. No.</b> | —            |
|                        | temperature probe NTC 10kOhm cable PVC probe -40 up to +110°C cable -10 up to 100°C connection 2-wire thread probe ø6x14mm cable length 3m  |                 |              |



1

|                    |  |                 |          |
|--------------------|--|-----------------|----------|
| <b>Part No.</b>    | 378665   | <b>Ref. No.</b> | W0302160 |
| <b>description</b> | electronic controller DIXELL XR03CX-5R0C1 mounting measurements 71x29mm built-in depth 50mm 230V voltage AC NTC relay outputs 2 NO-20A(8) CO-8A(3) NTC DI protection IP65 defrosting function/time control -55 up to +99°C display 2 digit |                 |          |
| <b>For models:</b> | GRE2700  |                 |          |



1

|                        |   |                 |          |
|------------------------|---|-----------------|----------|
| <b>Part No.</b>        | 378363  | <b>Ref. No.</b> | W0302159 |
| <b>description</b>     | electronic controller DIXELL XR06CX-5R0C1 mounting measurements 71x29mm 230V voltage AC NTC relay outputs 3 NO-20A(8) CO-8A(3) NO-5A(2) NTC NTC DI protection IP54 -40 up to +110°C display 3½ digits |                 |          |
| <b>For models:</b>     | GFR2700   |                 |          |
| <b>accessories for</b> | 378363  |                 |          |
|                        | <b>Part No.</b>   | <b>Ref. No.</b> | —        |
|                        | temperature probe NTC 10kOhm cable PVC probe -40 up to +110°C cable -10 up to 100°C connection 2-wire thread probe ø6x14mm cable length 3m  |                 |          |





1

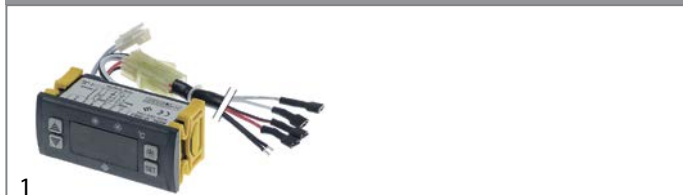
|                        |  |                 |                       |
|------------------------|--|-----------------|-----------------------|
| <b>Part No.</b>        | 379843 <sup>1</sup>  | <b>Ref. No.</b> | 1.1.A.A06.03.31       |
| <b>description</b>     | electronic controller kit DIXELL XR30CX-5N2C1 mounting measurements 71x29mm 230V voltage AC NTC/PTC relay outputs 2 1x NTC probe inclusive -50 up to +150°C display 3½ digits 2 RoomTempLN NTC/PTC DEF Probe DigilN1 DigilN2 DEF Relay fan relay Temp4/Dig1 NTC/PTC/DIGI evaporator probe defr. funct. compressor relay NO-20A(8) light relay alarm relay CO-8A(3) auxiliary relay |                 |                       |
| <b>For models:</b>     | GCV1600  |                 |                       |
| <b>spare parts for</b> | 379843   |                 |                       |
|                        | Part No.   | 379160          | Ref. No. E21010150001 |
|                        | temperature probe NTC 10kOhm cable thermoplastic probe -40 up to +110°C cable -40 up to +110°C probe ø6x14mm cable length 1.5m without screw connection 2-wire   |                 |                       |

<sup>1</sup>incl. 1x NTC probe

## SHANGFANG

## refrigeration controllers

## built-in version



1

|                        |   |                 |                   |
|------------------------|---|-----------------|-------------------|
| <b>Part No.</b>        | 379799 <sup>1</sup>   | <b>Ref. No.</b> | DQWBZX02          |
| <b>description</b>     | electronic controller SHANGFANG type SF-104S-2 mounting measurements 71x29mm 12V voltage AC NTC relay outputs 2 12VDC 12VDC NTC front measurements 77x35mm built-in depth 40mm protection IP54 accuracy 1% built-in version alarm without accessories defr. funct. yes -45 up to +45°C display 3 digits |                 |                   |
| <b>For models:</b>     | GSC1100G, GSC2336   |                 |                   |
| <b>spare parts for</b> | 379799  |                 |                   |
|                        | Part No.  | 379054          | Ref. No. —        |
|                        | transformer primary 230VAC secondary 12VAC 3VA secondary 0.25A H 40mm L 45mm W 50mm connection screw 50/60Hz type 153/M   |                 |                   |
|                        | Part No.  | 380867          | Ref. No. DQWBZJ02 |
|                        | relay SHANGFANG 12VDC 30A 1NO connection male faston 6.3mm screw mounting at 250V 30A manuf. no. 855AW-1A-C1  |                 |                   |
|                        | Part No.  | 381318          | Ref. No. —        |
|                        | temperature probe NTC cable silicone cable colours white cable length 3m probe -40 up to +110°C cable -50 up to +180°C probe ø7x25mm coded plug   |                 |                   |
|                        | Part No.  | 381319          | Ref. No. —        |
|                        | temperature probe NTC cable silicone cable colours black cable length 3m evaporator probe -40 up to +110°C cable -50 up to +180°C probe ø7x25mm coded plug  |                 |                   |
| <b>accessories for</b> | 379799  |                 |                   |
|                        | Part No.  | 379054          | Ref. No. —        |
|                        | transformer primary 230VAC secondary 12VAC 3VA secondary 0.25A H 40mm L 45mm W 50mm connection screw 50/60Hz type 153/M   |                 |                   |
|                        | Part No.  | 380867          | Ref. No. DQWBZJ02 |
|                        | relay SHANGFANG 12VDC 30A 1NO connection male faston 6.3mm screw mounting at 250V 30A manuf. no. 855AW-1A-C1  |                 |                   |

<sup>1</sup>without relay, cable harness, probe and transformer

|                        |  |        |            |
|------------------------|--|--------|------------|
| <b>accessories for</b> | 379799   |        |            |
|                        | Part No.   | 381318 | Ref. No. — |
|                        | temperature probe NTC cable silicone cable colours white cable length 3m probe -40 up to +110°C cable -50 up to +180°C probe ø7x25mm coded plug            |        |            |
|                        | Part No.   | 381319 | Ref. No. — |
|                        | temperature probe NTC cable silicone cable colours black cable length 3m evaporator probe -40 up to +110°C cable -50 up to +180°C probe ø7x25mm coded plug |        |            |

## built-in version 2-piece



1

|                        |  |                 |                   |
|------------------------|--|-----------------|-------------------|
| <b>Part No.</b>        | 379849 <sup>1</sup>  | <b>Ref. No.</b> | DQWB005           |
| <b>description</b>     | electronic controller SHANGFANG type SF-101S mounting measurements 71x29mm 230V voltage AC NTC relay outputs 1 NO-30A NTC Comp front measurements 77x35mm built-in depth 40mm protection IP54 accuracy 1% built-in version alarm incl. relay, cable harness, probe and transformer defr. funct. yes -45 up to +45°C display 3 digits |                 |                   |
| <b>For models:</b>     | GBC1001, GBC1001S, GBC1001SS, GBC1002, GBC1002S, GBC1002SS, GBC1003, GBC1003S, GBC1003SS   |                 |                   |
| <b>spare parts for</b> | 379849   |                 |                   |
|                        | Part No.   | 379054          | Ref. No. —        |
|                        | transformer primary 230VAC secondary 12VAC 3VA secondary 0.25A H 40mm L 45mm W 50mm connection screw 50/60Hz type 153/M  |                 |                   |
|                        | Part No.   | 380867          | Ref. No. DQWBZJ02 |
|                        | relay SHANGFANG 12VDC 30A 1NO connection male faston 6.3mm screw mounting at 250V 30A manuf. no. 855AW-1A-C1   |                 |                   |
|                        | Part No.   | 381318          | Ref. No. —        |
|                        | temperature probe NTC cable silicone cable colours white cable length 3m probe -40 up to +110°C cable -50 up to +180°C probe ø7x25mm coded plug  |                 |                   |
|                        | Part No.   | 381319          | Ref. No. —        |
|                        | temperature probe NTC cable silicone cable colours black cable length 3m evaporator probe -40 up to +110°C cable -50 up to +180°C probe ø7x25mm coded plug   |                 |                   |
| <b>accessories for</b> | 379849   |                 |                   |
|                        | Part No.   | 379054          | Ref. No. —        |
|                        | transformer primary 230VAC secondary 12VAC 3VA secondary 0.25A H 40mm L 45mm W 50mm connection screw 50/60Hz type 153/M  |                 |                   |
|                        | Part No.   | 380867          | Ref. No. DQWBZJ02 |
|                        | relay SHANGFANG 12VDC 30A 1NO connection male faston 6.3mm screw mounting at 250V 30A manuf. no. 855AW-1A-C1   |                 |                   |
|                        | Part No.   | 381318          | Ref. No. —        |
|                        | temperature probe NTC cable silicone cable colours white cable length 3m probe -40 up to +110°C cable -50 up to +180°C probe ø7x25mm coded plug  |                 |                   |
|                        | Part No.   | 381319          | Ref. No. —        |
|                        | temperature probe NTC cable silicone cable colours black cable length 3m evaporator probe -40 up to +110°C cable -50 up to +180°C probe ø7x25mm coded plug   |                 |                   |

<sup>1</sup>incl. relay, cable harness, probe and transformer



|                        |  |                 |                          |
|------------------------|--|-----------------|--------------------------|
| <p>71 x 29mm</p>       |  |                 |                          |
| 1                      |  |                 |                          |
| <b>Part No.</b>        | 403074 <sup>1</sup>  | <b>Ref. No.</b> | DQWB0002                 |
| <b>description</b>     | electronic controller SHANGFANG type SF-104S-2 mounting measurements 71x29mm 230V voltage AC NTC relay outputs 2 NO-30A NO-30A NTC NTC front measurements 77x35mm built-in depth 38mm protection IP54 accuracy 1% built-in version alarm incl. relay, cable harness, probe and transformer defr. funct. yes -45 up to +45°C display 2½ digit |                 |                          |
| <b>For models:</b>     | GBC1001, GBC1001S, GBC1002, GBC1002S, GBC1003, GBC1003S, GBC1102, GBC1103, GSC1100G, GSC2336   |                 |                          |
| <b>spare parts for</b> | 403074   |                 |                          |
|                        | <b>Part No.</b>  | 379054          | <b>Ref. No.</b> —        |
|                        | transformer primary 230VAC secondary 12VAC 3VA secondary 0.25A H 40mm L 45mm W 50mm connection screw 50/60Hz type 153/M  |                 |                          |
|                        | <b>Part No.</b>  | 380867          | <b>Ref. No.</b> DQWBZJ02 |
|                        | relay SHANGFANG 12VDC 30A 1NO connection male faston 6.3mm screw mounting at 250V 30A manuf. no. 855AW-1A-C1   |                 |                          |
|                        | <b>Part No.</b>  | 381318          | <b>Ref. No.</b> —        |
|                        | temperature probe NTC cable silicone cable colours white cable length 3m probe -40 up to +110°C cable -50 up to +180°C probe ø7x25mm coded plug  |                 |                          |
|                        | <b>Part No.</b>  | 381319          | <b>Ref. No.</b> —        |
|                        | temperature probe NTC cable silicone cable colours black cable length 3m evaporator probe -40 up to +110°C cable -50 up to +180°C probe ø7x25mm coded plug   |                 |                          |
| <b>accessories for</b> | 403074   |                 |                          |
|                        | <b>Part No.</b>  | 379054          | <b>Ref. No.</b> —        |
|                        | transformer primary 230VAC secondary 12VAC 3VA secondary 0.25A H 40mm L 45mm W 50mm connection screw 50/60Hz type 153/M  |                 |                          |
|                        | <b>Part No.</b>  | 380867          | <b>Ref. No.</b> DQWBZJ02 |
|                        | relay SHANGFANG 12VDC 30A 1NO connection male faston 6.3mm screw mounting at 250V 30A manuf. no. 855AW-1A-C1   |                 |                          |
|                        | <b>Part No.</b>  | 381318          | <b>Ref. No.</b> —        |
|                        | temperature probe NTC cable silicone cable colours white cable length 3m probe -40 up to +110°C cable -50 up to +180°C probe ø7x25mm coded plug  |                 |                          |
|                        | <b>Part No.</b>  | 381319          | <b>Ref. No.</b> —        |
|                        | temperature probe NTC cable silicone cable colours black cable length 3m evaporator probe -40 up to +110°C cable -50 up to +180°C probe ø7x25mm coded plug   |                 |                          |

<sup>1</sup>incl. relay, cable harness, probe and transformer

accessories

|                    |  |                 |          |
|--------------------|--|-----------------|----------|
|                    |  |                 |          |
| 1                  |  |                 |          |
| <b>Part No.</b>    | 380867   | <b>Ref. No.</b> | DQWBZJ02 |
| <b>description</b> | relay SHANGFANG 12VDC 30A 1NO connection male faston 6.3mm screw mounting at 250V 30A manuf. no. 855AW-1A-C1 |                 |          |
| <b>For models:</b> | GSC1100G, GSC2336  |                 |          |

accessories universal for electronic con-

miscellaneous

|                    |   |                 |              |
|--------------------|---|-----------------|--------------|
|                    |   |                 |              |
| 1                  |   |                 |              |
| <b>Part No.</b>    | 692369  | <b>Ref. No.</b> | 1.1.C.C63.71 |
| <b>description</b> | bracket for thermometer W 81mm H 41mm plastic Qty 1 pcs |                 |              |
| <b>For models:</b> | GCV1600   |                 |              |

probes

universal probes

temperature probes

|                    |  |                 |              |
|--------------------|--|-----------------|--------------|
|                    |  |                 |              |
| 1                  |  |                 |              |
| <b>Part No.</b>    | 379160   | <b>Ref. No.</b> | E21010150001 |
| <b>description</b> | temperature probe NTC 10kOhm cable thermoplastic probe -40 up to +110°C cable -40 up to +110°C probe ø6x14mm cable length 1.5m without screw connection 2-wire |                 |              |
| <b>For models:</b> | GDS2600, GPS2600, GSA2600, GSD2600, GSF2600  |                 |              |

producer-specific probes


probes

|                    |   |                 |          |
|--------------------|---|-----------------|----------|
|                    |   |                 |          |
| 1                  |   |                 |          |
| <b>Part No.</b>    | 403899  | <b>Ref. No.</b> | W0302305 |
| <b>description</b> | probe NTC 10kOhm cable PVC probe -40 up to +110°C cable -40 up to +110°C connection coded plug thread probe ø6x14mm cable length 600m GFR2700/GRE2700 |                 |          |
| <b>For models:</b> | GFR2700   |                 |          |

|                    |   |                 |          |
|--------------------|---|-----------------|----------|
|                    |   |                 |          |
| 1                  |   |                 |          |
| <b>Part No.</b>    | 403901  | <b>Ref. No.</b> | W0302304 |
| <b>description</b> | probe NTC 10kOhm cable PVC probe -40 up to +110°C cable -40 up to +110°C connection coded plug thread probe ø6x14mm cable length 800m GFR2700/GRE2700 |                 |          |
| <b>For models:</b> | GFR2700, GRE2700  |                 |          |







1 

|                    |  |                 |          |
|--------------------|--|-----------------|----------|
| <b>Part No.</b>    | 403910   | <b>Ref. No.</b> | I0205805 |
| <b>description</b> | temperature probe NTC 10kOhm cable PVC probe -40 up to +110°C connection 2-wire probe 5x20 cable length 1.475m |                 |          |
| <b>For models:</b> | GFR3600S, GRE3600, GRE3600S  |                 |          |


sensors



1 

|                    |  |                 |          |
|--------------------|--|-----------------|----------|
| <b>Part No.</b>    | 403155   | <b>Ref. No.</b> | AD400009 |
| <b>description</b> | sensor for induction device ø 25mm H 17mm cable length 130mm |                 |          |
| <b>For models:</b> | GIC3035  |                 |          |

1 

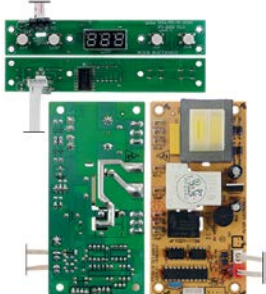
|                    |   |                 |              |
|--------------------|---|-----------------|--------------|
| <b>Part No.</b>    | 403529  | <b>Ref. No.</b> | 263019008956 |
| <b>description</b> | display PCB microwave GMW1025 L 160mm W 85mm cable length 200mm for microwave |                 |              |
| <b>For models:</b> | GMW1025   |                 |              |

1 


|                        |  |                 |            |
|------------------------|--|-----------------|------------|
| <b>Part No.</b>        | 403154   | <b>Ref. No.</b> | DQA020110R |
| <b>description</b>     | keypad PCB induction device GIC3035 L 247mm W 53mm keypad connection 4 contact pins edition since 2012 buttons 8 |                 |            |
| <b>For models:</b>     | GIC3035  |                 |            |
| <b>accessories for</b> | 403154   |                 |            |
|                        |                                 | <b>Part No.</b> | 403156     |
|                        |  | <b>Ref. No.</b> | LAC5000003 |
|                        | control panel induction device GIC3535 W 300mm H 58mm  |                 |            |
|                        |                                 | <b>Part No.</b> | 403160     |
|                        |  | <b>Ref. No.</b> | —          |
|                        | control panel induction device GIC3535 W 300mm mounting pos. right H 58mm  |                 |            |

electronics


PCBs

1 

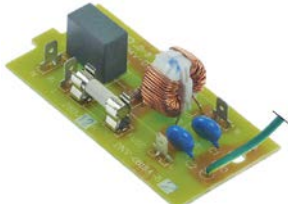
|                    |   |                 |                                    |
|--------------------|---|-----------------|------------------------------------|
| <b>Part No.</b>    | 361873  | <b>Ref. No.</b> | 1.1.A.A17.01.01<br>1.1.A.A17.04.06 |
| <b>description</b> | control PCB refrigerated show case GGC 1270/2270 cable length 225mm 2-piece type KB3150 |                 |                                    |
| <b>For models:</b> | GGC2270, GGC2270B   |                 |                                    |

1 

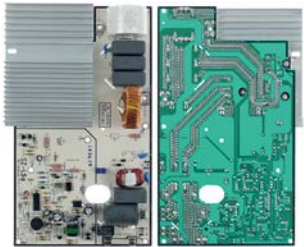
|                    |   |                 |          |
|--------------------|---|-----------------|----------|
| <b>Part No.</b>    | 403954  | <b>Ref. No.</b> | I9R00462 |
| <b>description</b> | control PCB refrigeration IARP L 222mm W 40mm |                 |          |
| <b>For models:</b> | GFR3600S                                      |                 |          |


1 

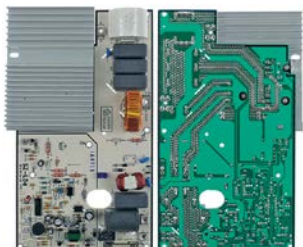
|                    |  |                 |          |
|--------------------|--|-----------------|----------|
| <b>Part No.</b>    | 403736   | <b>Ref. No.</b> | 43845000 |
| <b>description</b> | control PCB refrigeration IARP L 222mm W 40mm for fridge |                 |          |
| <b>For models:</b> | GRE3600, GRE3600S  |                 |          |

1 

|                    |  |                 |              |
|--------------------|--|-----------------|--------------|
| <b>Part No.</b>    | 403188   | <b>Ref. No.</b> | 263029001088 |
| <b>description</b> | line filter microwave for GMW1025 250V 50/60Hz conductor 2 PCB connection male faston 4.8mm L 80mm H 20mm W 40mm PCB Qty 1 pcs cable length 120mm type DNV-0818A-5 |                 |              |
| <b>For models:</b> | GMW1025  |                 |              |


1 

|                        |  |                 |            |
|------------------------|--|-----------------|------------|
| <b>Part No.</b>        | 403153   | <b>Ref. No.</b> | DQA010095R |
| <b>description</b>     | main PCB induction device GIC3035 L 267mm W 160mm connection male faston 6.3mm vertical keypad connection 4 contact pins SZ-L5 |                 |            |
| <b>For models:</b>     | GIC3035  |                 |            |
| <b>accessories for</b> | 403153   |                 |            |
|                        |   | <b>Part No.</b> | 403154     |
|                        |  | <b>Ref. No.</b> | DQA020110R |
|                        | keypad PCB induction device GIC3035 L 247mm W 53mm keypad connection 4 contact pins edition since 2012 buttons 8               |                 |            |


1

|                    |  |                 |            |
|--------------------|--|-----------------|------------|
| <b>Part No.</b>    | 403680   | <b>Ref. No.</b> | DQA010198R |
| <b>description</b> | main PCB induction device GIC3035 L 267mm W 160mm connection screw keypad connection 4 contact pins SZ-L5a |                 |            |
| <b>For models:</b> | GIC3035  |                 |            |




1

|                    |   |                 |             |
|--------------------|---|-----------------|-------------|
| <b>Part No.</b>    | 401855  | <b>Ref. No.</b> | 00000009240 |
| <b>description</b> | control box with pressure switch double for slicer 230V |                 |             |
| <b>For models:</b> | GFS1030   |                 |             |




1


|   |                                     |                 |                      |
|---|-------------------------------------|-----------------|----------------------|
| <b>Part No.</b>   | 403165                              | <b>Ref. No.</b> | 2852                 |
| <b>description</b>  | PCB GSM1000 speed control           |                 |                      |
| <b>For models:</b>  | GSM1000                             |                 |                      |
| <b>spare parts for</b>  | 403165                              |                 |                      |
|  | <b>Part No.</b>                     | 696506          | <b>Ref. No.</b> 2858 |
|   | knob for PCB ø 26mm black Qty 1 pcs |                 |                      |

## keypads


### front foils



1


|   |  |                 |                            |
|---|--|-----------------|----------------------------|
| <b>Part No.</b>   | 403156   | <b>Ref. No.</b> | LAC5000003                 |
| <b>description</b>  | control panel induction device GIC3535 W 300mm H 58mm  |                 |                            |
| <b>For models:</b>  | GIC3035  |                 |                            |
| <b>accessories for</b>  | 403156   |                 |                            |
|  | <b>Part No.</b>  | 403154          | <b>Ref. No.</b> DQA020110R |
|   | keypad PCB induction device GIC3035 L 247mm W 53mm keypad connection 4 contact pins edition since 2012 buttons 8 |                 |                            |

### central units



1


|                    |   |                 |             |
|--------------------|---|-----------------|-------------|
| <b>Part No.</b>    | 400788                                      | <b>Ref. No.</b> | 00000000297 |
| <b>description</b> | control box for slicer 230V                 |                 |             |
| <b>For models:</b> | GFS1022, GFS1025, GFS1030, GFS2022, GFS2025 |                 |             |



1


|                    |   |                 |          |
|--------------------|---|-----------------|----------|
| <b>Part No.</b>    | 403764                                  | <b>Ref. No.</b> | 49357000 |
| <b>description</b> | front foil blast freezer L 165mm W 45mm |                 |          |
| <b>For models:</b> | GFR3600S, GRE3600, GRE3600S             |                 |          |

### membrane keypads



1


|                    |  |                 |             |
|--------------------|--|-----------------|-------------|
| <b>Part No.</b>    | 403682   | <b>Ref. No.</b> | 00000001752 |
| <b>description</b> | control box for slicer 230V 50Hz edition since 04/2016 |                 |             |
| <b>For models:</b> | GFS2019, GFS2030                                       |                 |             |



1

|                    |   |                 |              |
|--------------------|---|-----------------|--------------|
| <b>Part No.</b>    | 403187  | <b>Ref. No.</b> | 253069002692 |
| <b>description</b> | membrane keypad microwave GMW1025 2-piece buttons 15 Qty 1 pcs L 164mm W 70mm |                 |              |
| <b>For models:</b> | GMW1025   |                 |              |

### control panel



1

|                    |  |                 |        |
|--------------------|--|-----------------|--------|
| <b>Part No.</b>    | 506281   | <b>Ref. No.</b> | 909763 |
| <b>description</b> | control panel for dishwasher L 250mm W 40mm black suitable for Silanos |                 |        |
| <b>For models:</b> | GDW2001  |                 |        |



## solenoid valves

### solenoid valves (water)

TP



|                 |        |                 |        |
|-----------------|--------|-----------------|--------|
| <b>Part No.</b> | 370017 | <b>Ref. No.</b> | 902390 |
|-----------------|--------|-----------------|--------|

**description** solenoid valve single straight 230VAC inlet 3/4" outlet 11.5mm DN10 TP p max 10bar

**For models:** GDW2001

**spare parts for** 370017



|                                 |        |                 |   |
|---------------------------------|--------|-----------------|---|
| <b>Part No.</b>                 | 371013 | <b>Ref. No.</b> | — |
| solenoid coil TP 230VAC 50/60Hz |        |                 |   |

**accessories for** 370017



|  |        |                 |   |
|--|--------|-----------------|---|
| <b>Part No.</b>                                | 371220 | <b>Ref. No.</b> | — |
| reducer TP flow rate 3l/min red tolerance ±15% |        |                 |   |



|   |        |                 |   |
|---|--------|-----------------|---|
| <b>Part No.</b>                                     | 371221 | <b>Ref. No.</b> | — |
| reducer TP flow rate 5.5l/min yellow tolerance ±15% |        |                 |   |



|   |        |                 |   |
|---|--------|-----------------|---|
| <b>Part No.</b>                                 | 371222 | <b>Ref. No.</b> | — |
| reducer TP flow rate 6l/min grey tolerance ±15% |        |                 |   |



|   |        |                 |   |
|---|--------|-----------------|---|
| <b>Part No.</b>                                   | 371223 | <b>Ref. No.</b> | — |
| reducer TP flow rate 10l/min white tolerance ±15% |        |                 |   |



|  |        |                 |   |
|--|--------|-----------------|---|
| <b>Part No.</b>                                    | 371224 | <b>Ref. No.</b> | — |
| reducer TP flow rate 12l/min bronze tolerance ±15% |        |                 |   |



|   |        |                 |   |
|---|--------|-----------------|---|
| <b>Part No.</b>   | 371225 | <b>Ref. No.</b> | — |
| reducer TP flow rate 16l/min light brown tolerance ±15% |        |                 |   |



|   |        |                 |   |
|---|--------|-----------------|---|
| <b>Part No.</b>                                 | 371226 | <b>Ref. No.</b> | — |
| reducer TP flow rate 20l/min red tolerance ±15% |        |                 |   |



|   |        |                 |   |
|---|--------|-----------------|---|
| <b>Part No.</b>                                   | 371230 | <b>Ref. No.</b> | — |
| reducer TP flow rate 0.25l/min red tolerance ±25% |        |                 |   |



|  |        |                 |   |
|--|--------|-----------------|---|
| <b>Part No.</b>                                      | 371231 | <b>Ref. No.</b> | — |
| reducer TP flow rate 0.35l/min violet tolerance ±25% |        |                 |   |



|   |        |                 |   |
|---|--------|-----------------|---|
| <b>Part No.</b>                                     | 371232 | <b>Ref. No.</b> | — |
| reducer TP flow rate 0.5l/min orange tolerance ±25% |        |                 |   |








|  |        |                 |   |
|--|--------|-----------------|---|
| <b>Part No.</b>                                    | 371233 | <b>Ref. No.</b> | — |
| reducer TP flow rate 0.8l/min white tolerance ±25% |        |                 |   |



|   |        |                 |   |
|---|--------|-----------------|---|
| <b>Part No.</b>                                       | 371234 | <b>Ref. No.</b> | — |
| reducer TP flow rate 1l/min light blue tolerance ±25% |        |                 |   |



|  |        |                 |   |
|--|--------|-----------------|---|
| <b>Part No.</b>                                    | 371235 | <b>Ref. No.</b> | — |
| reducer TP flow rate 1.2l/min brown tolerance ±25% |        |                 |   |

|   |                 |        |                 |   |
|---|-----------------|--------|-----------------|---|
| <b>accessories for</b> 370017   |                 |        |                 |   |
|  | <b>Part No.</b> | 371236 | <b>Ref. No.</b> | — |
| reducer TP flow rate 1.5l/min light brown tolerance ±25%                          |                 |        |                 |   |
|  | <b>Part No.</b> | 371237 | <b>Ref. No.</b> | — |
| reducer TP flow rate 2.5l/min yellow tolerance ±25%                               |                 |        |                 |   |
|  | <b>Part No.</b> | 371238 | <b>Ref. No.</b> | — |
| reducer TP flow rate 3.4l/min dark green tolerance ±25%                           |                 |        |                 |   |
|  | <b>Part No.</b> | 371239 | <b>Ref. No.</b> | — |
| reducer TP flow rate 5l/min black tolerance ±25%                                  |                 |        |                 |   |
|  | <b>Part No.</b> | 371240 | <b>Ref. No.</b> | — |
| reducer TP flow rate 8l/min blue tolerance ±20%                                   |                 |        |                 |   |

### solenoid valves (refrigeration)

SANHUA

valves



|                 |        |                 |          |
|-----------------|--------|-----------------|----------|
| <b>Part No.</b> | 374110 | <b>Ref. No.</b> | W0205011 |
|-----------------|--------|-----------------|----------|

**description** solenoid valve type FDF2AT connection 6mm soldering connection L 143mm pipe connection ø 6mm 220-240V

**For models:** GFR2700

**accessories for** 374110



|  |        |                 |          |
|--|--------|-----------------|----------|
| <b>Part No.</b>  | 696787 | <b>Ref. No.</b> | W0208009 |
| T-piece copper ID ø 4.5mm ED ø 6mm refrigeration for GFR2700 |        |                 |          |

## pressure switches

### for warewashing

ø 58mm with male faston 6.3mm

with connection horizontal



|                 |        |                 |        |
|-----------------|--------|-----------------|--------|
| <b>Part No.</b> | 541001 | <b>Ref. No.</b> | 905264 |
|-----------------|--------|-----------------|--------|

**description** pressure control pressure range 35/17mbar connection 6mm ø 58mm pressure connection horizontal warewashing

**For models:** GDW2001



compressors

ACC/ZEL

R600A

LBP monophase

Lower evaporation temperature below -20°C



1

|                    |   |                 |                          |
|--------------------|---|-----------------|--------------------------|
| <b>Part No.</b>    | 605141  | <b>Ref. No.</b> | DQYD0015<br>E27B6F1Z0001 |
| <b>description</b> | compressor coolant R600a type HPY12AAa 220-240V 50Hz LBP 8.8kg 1/5HP cylinder capacity 12cm <sup>3</sup> RSIR H 200mmWWWWWWWWWW |                 |                          |
| <b>For models:</b> | GBC1002, GBC1002S, GBC1002SS, GBC1003, GBC1003S, GBC1003SS, GBC1102, GDS2600, GPS2600, GSA2600, GSC2336, GSD2600, GSF2600       |                 |                          |



1

|                    |  |                 |              |
|--------------------|--|-----------------|--------------|
| <b>Part No.</b>    | 605150   | <b>Ref. No.</b> | 1.1.A.A02.01 |
| <b>description</b> | compressor coolant R600a type HVM10AA 220-240V 50Hz LBP 8.7kg 1/6HP cylinder capacity 10cm <sup>3</sup> RSIR H 180mmWWWWWWWWWW |                 |              |
| <b>For models:</b> | GCV1600  |                 |              |



1

|                    |   |                 |            |
|--------------------|---|-----------------|------------|
| <b>Part No.</b>    | 650150  | <b>Ref. No.</b> | VRX1560.01 |
| <b>description</b> | compressor coolant R600a type HVM67AA 220-240V 50Hz LBP 7.5kg 1/8HP cylinder capacity 7cm <sup>3</sup> RSIR H 180mmWWWW |                 |            |
| <b>For models:</b> | GHS1600, GHS2600  |                 |            |



1

|                    |   |                 |                          |
|--------------------|---|-----------------|--------------------------|
| <b>Part No.</b>    | 605142  | <b>Ref. No.</b> | 1.1.A.A02.04<br>DQYD0014 |
| <b>description</b> | compressor coolant R600a type HVM86AA 220-240V 50Hz LBP fully hermetic 7.83kg 1/7HP cylinder capacity 8.6cm <sup>3</sup> RSIR H 174mmWWWW |                 |                          |
| <b>For models:</b> | GBC1001, GBC1001S, GBC1001SS, GGC1078, GGC1078B   |                 |                          |

EMBRACO / ASPERA

R290A

LBP monophase

Lower evaporation temperature below -20°C



1

|                    |  |                 |                      |
|--------------------|--|-----------------|----------------------|
| <b>Part No.</b>    | 605258   | <b>Ref. No.</b> | I0210981<br>W0201133 |
| <b>description</b> | compressor coolant R290 type EMTE2134U 220-240V 50Hz LBP 9kg 3/8HP cylinder capacity 9.5cm <sup>3</sup> CSIR H 187mm 250W 278W 305W 330W 366WWWWWW |                 |                      |
| <b>For models:</b> | GFR2700, GFR3600S  |                 |                      |





## R600A

LBP monophase

Lower evaporation temperature below -20°C



1

|                    |   |                 |          |
|--------------------|---|-----------------|----------|
| <b>Part No.</b>    | 605281  | <b>Ref. No.</b> | W0201151 |
| <b>description</b> | compressor coolant R600a type EMB40CLC 220-240V 50Hz LBP 8kg 1HP cylinder capacity 7.24cm <sup>3</sup> H 160mmWWWWW |                 |          |
| <b>For models:</b> | GRE2700   |                 |          |



1

|                    |   |                 |          |
|--------------------|---|-----------------|----------|
| <b>Part No.</b>    | 605257  | <b>Ref. No.</b> | 45004031 |
| <b>description</b> | compressor coolant R600a type EMD46CLT 220-240V 50Hz LBP 7.5kgHP cylinder capacity 7.96cm <sup>3</sup> RSCR H 210mm 88W 118W 154W 196W 246WWWWW |                 |          |
| <b>For models:</b> | GRE3600, GRE3600S   |                 |          |

## miscellaneous

## R134A



1

|                    |   |                 |          |
|--------------------|---|-----------------|----------|
| <b>Part No.</b>    | 605140  | <b>Ref. No.</b> | DQYA0087 |
| <b>description</b> | compressor KONOR type GQR90AA coolant R134a 220-240V 50Hz 10.1kg 1/4HP cylinder capacity 9.1cm <sup>3</sup> RSIR H 186mmWWWWW |                 |          |

## R600A



1

|                    |  |                 |              |
|--------------------|--|-----------------|--------------|
| <b>Part No.</b>    | 605143   | <b>Ref. No.</b> | 1.1.A.A02.25 |
| <b>description</b> | compressor DONPER type QD167YU coolant R600a 220-240V 50Hz fully hermetic 11.9kg 3/8HP cylinder capacity 16.7cm <sup>3</sup> RSCR H 220mm 169W 199W 236W 280W 334W 391WWWWW test method ASHRAE capacitor 6µF |                 |              |
| <b>For models:</b> | GGC2270, GGC2270B  |                 |              |

## accessories

## miscellaneous



1

|                    |                                |                 |              |
|--------------------|--------------------------------|-----------------|--------------|
| <b>Part No.</b>    | 699425                         | <b>Ref. No.</b> | 1.1.C.C41.01 |
| <b>description</b> | vibration damper ø 25mm H 10mm |                 |              |
| <b>For models:</b> | GGC1078, GGC1078B              |                 |              |


## fans

## axial fans

## import



1

|   |  |                 |                          |
|---|--|-----------------|--------------------------|
| <b>Part No.</b>   | 601131 <sup>1</sup>  | <b>Ref. No.</b> | I0221151                 |
| <b>description</b>  | axial fan L 119mm W 119mm H 25mm 230VAC 50/60Hz 19/18W bearing ball bearing connection male faston 2.8mm metal ADDA fan wheel ø 110mm temp.-resist. 70°C |                 |                          |
| <b>For models:</b>  | GFR3600S, GRE3600, GRE3600S  |                 |                          |
| <b>accessories for</b>  | 601131   |                 |                          |
|  | <b>Part No.</b>  | 550898          | <b>Ref. No.</b> I0221181 |
|   | connecting cable cable length 2000mm connection F 2.8 connection distance 7.9mm for axial flow fan   |                 |                          |


<sup>1</sup>with ball bearings




1

|                    |   |                 |          |
|--------------------|---|-----------------|----------|
| <b>Part No.</b>    | 601909 <sup>1</sup>   | <b>Ref. No.</b> | 45003031 |
| <b>description</b> | axial fan L 119mm W 119mm H 38mm 220-240 50/60Hz 31/29W bearing ball bearing connection male faston 2.8mm |                 |          |
| <b>For models:</b> | GFR3600S, GRE3600, GRE3600S   |                 |          |


<sup>1</sup>with ball bearings



1

|                    |   |                 |                                  |
|--------------------|---|-----------------|----------------------------------|
| <b>Part No.</b>    | 601787 <sup>1</sup>   | <b>Ref. No.</b> | DQFA1000<br>DQFD1000<br>DQFD1001 |
| <b>description</b> | axial fan L 119mm W 119mm H 38mm 230VAC 50/60Hz 22/38.4W bearing slide bearing manuf. no. HT-A12038S220 connection plug cable length 300mm HUI TONG fan wheel ø 110mm input current 0.1/0.16A housing aluminium |                 |                                  |
| <b>For models:</b> | GBC1001, GBC1001S, GBC1001SS, GSC1100G, GSC2336   |                 |                                  |

<sup>1</sup>with slide bearings



1

|                    |   |                 |                 |
|--------------------|---|-----------------|-----------------|
| <b>Part No.</b>    | 601834 <sup>1</sup>   | <b>Ref. No.</b> | 1.1.A.A03.01.31 |
| <b>description</b> | axial fan L 119mm W 119mm H 38mm 230VAC 50/60Hz 16/15W bearing ball bearing manuf. no. RAM1238B1 connection cable length 900mm XINRUILIAN fan wheel ø 110mm temp.-resist. -10 up to +70°C input current 0.16A |                 |                 |
| <b>For models:</b> | GCV1600   |                 |                 |

<sup>1</sup>with ball bearings



1

|                    |   |                 |          |
|--------------------|---|-----------------|----------|
| <b>Part No.</b>    | 602136  | <b>Ref. No.</b> | DQFD2003 |
| <b>description</b> | axial fan L 119mm W 119mm H 38mm 230VAC 50/60Hz 22/38.4W bearing slide bearing manuf. no. HT-A12038S220 connection with cable 500mm cable length 300mm HUI TONG fan wheel ø 110mm input current 0.1/0.16A housing aluminium |                 |          |
| <b>For models:</b> | GBC1001, GBC1001S, GBC1001SS, GBC1002, GBC1002S, GBC1002SS, GBC1003, GBC1003S, GBC1003SS, GBC1102, GBC1103  |                 |          |




1

|                    |   |                 |                         |
|--------------------|---|-----------------|-------------------------|
| <b>Part No.</b>    | 601604 <sup>1</sup>   | <b>Ref. No.</b> | E17A1A010100<br>S900.34 |
| <b>description</b> | axial fan L 119mm W 119mm H 38mm 230VAC 50/60Hz 17/15W bearing slide bearing manuf. no. AA1282HS-AT connection cable 300mm fan wheel ø 110mm temp.-resist. 70°C input current 0.1A airflow 130m <sup>3</sup> /h 2600rpm |                 |                         |
| <b>For models:</b> | GDS2600, GHS1600, GHS2600, GPS2600, GSA2600, GSD2600, GSF2600   |                 |                         |

<sup>1</sup>with slide bearings

accessories

fan guards





1

|                    |  |                 |                      |
|--------------------|--|-----------------|----------------------|
| <b>Part No.</b>    | 691104   | <b>Ref. No.</b> | I0427017<br>WJFZ0007 |
| <b>description</b> | guard ø 115mm mounting distance 105mm for axial fan 119mm  |                 |                      |
| <b>For models:</b> | GBC1001, GBC1001S, GBC1001SS, GBC1002, GBC1002S, GBC1002SS, GBC1003, GBC1003S, GBC1003SS, GBC1102, GBC1103, GRE3600, GRE3600S, GSC2336 |                 |                      |

**connecting cables**

|                    |  |                 |          |
|--------------------|--|-----------------|----------|
| 1                  |  |                 |          |
| <b>Part No.</b>    | 550898   | <b>Ref. No.</b> | I0221181 |
| <b>description</b> | connecting cable cable length 2000mm connection F 2.8 connection distance 7.9mm for axial flow fan |                 |          |
| <b>For models:</b> | GRE3600, GRE3600S  |                 |          |


**refrigeration fans****refrigeration motors universal****ebm-papst****miscellaneous**

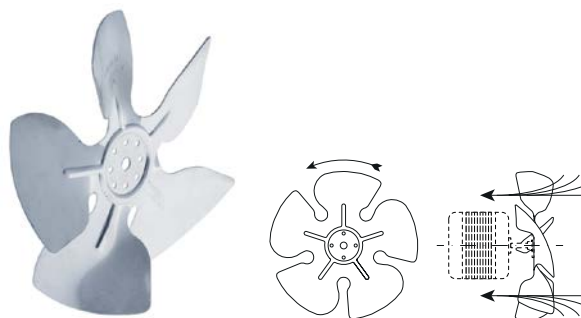
|   |  |  |                              |
|---|--|--|------------------------------|
| 1   |  |  |                              |
| <b>Part No.</b>   | 601783   | <b>Ref. No.</b>  | E17A1A050500                 |
| <b>description</b>  | fan motor 10W 230V 50/60Hz L3 87mm W 67mm cable length 400mm 1300rpm ebm-papst M4Q045-CA03-51/C18 3 mounting options bearing slide bearing for refrigerated counters |  |                              |
| <b>For models:</b>  | GDS2600, GPS2600, GSA2600, GSD2600, GSF2600  |  |                              |
| <b>spare parts for</b>  | 601783   |  |                              |
|  | <b>Part No.</b>  | 601413   | <b>Ref. No.</b> —            |
|   |  | fixing plate suitable for fanwheel ED ø 32mm shaft ø 7 mounting distance 26mm        |                              |
| <b>accessories for</b>  | 601783   |  |                              |
|  | <b>Part No.</b>  | 601385   | <b>Ref. No.</b> E181A1723401 |
|   |  | fan wheel sucking ø 172mm fan wheel mounting 25.4mm blade angle 34° W 42mm aluminium |                              |

**IMPORT****multi fit fan motors WEIGUANG**

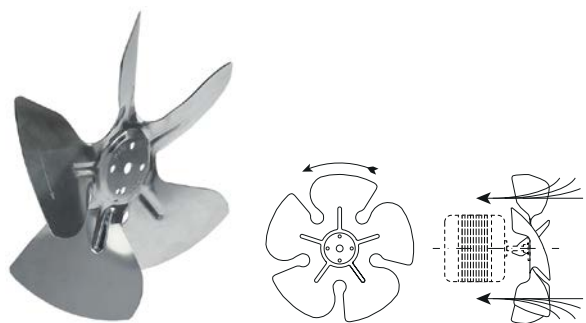
|                    |  |                 |                      |
|--------------------|--|-----------------|----------------------|
| 1                  |  |                 |                      |
| <b>Part No.</b>    | 601020   | <b>Ref. No.</b> | W0301906<br>W0301911 |
| <b>description</b> | fan motor 5W 230V 50-60Hz L1 44mm L2 48mm L3 79mm W 84mm cable length 500mm 1300rpm YZF5-13-18/26 5 mounting options bearing slide bearing |                 |                      |
| <b>For models:</b> | GFR2700, GRE2700   |                 |                      |

**miscellaneous**

|   |  |   |                   |
|---|--|---|-------------------|
| 1   |  |   |                   |
| <b>Part No.</b>   | 601789   | <b>Ref. No.</b>   | 1.1.A.A03.01.10   |
| <b>description</b>  | fan motor 10W 220-240V 50/60Hz L1 83mm L2 92mm W 84mm cable length 1000mm 1300/1550rpm WEIGUANG YZF10-20 |   |                   |
| <b>For models:</b>  | GGC2270, GGC2270B  |   |                   |
| <b>spare parts for</b>  | 601789   |   |                   |
|  | <b>Part No.</b>  | 601413  | <b>Ref. No.</b> — |
|   |  | fixing plate suitable for fanwheel ED ø 32mm shaft ø 7 mounting distance 26mm |                   |

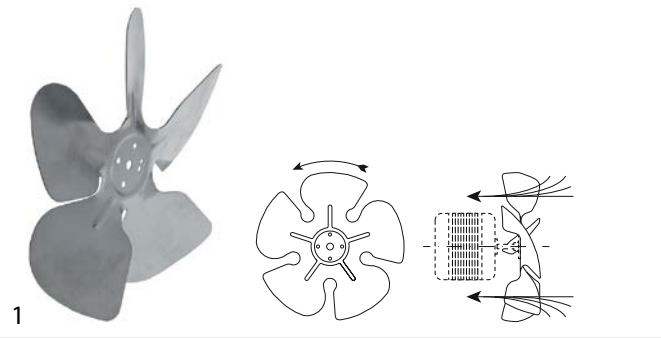
**accessories****fan wheels****aluminium**

|                    |  |                 |          |
|--------------------|--|-----------------|----------|
| 1                  |  |                 |          |
| <b>Part No.</b>    | 601553   | <b>Ref. No.</b> | W0301078 |
| <b>description</b> | fan wheel sucking ø 172mm fan wheel mounting 25.4mm blade angle 28° W 35mm aluminium |                 |          |
| <b>For models:</b> | GFR2700, GRE2700   |                 |          |



|                    |  |                 |              |
|--------------------|--|-----------------|--------------|
| 1                  |  |                 |              |
| <b>Part No.</b>    | 601385   | <b>Ref. No.</b> | E181A1723401 |
| <b>description</b> | fan wheel sucking ø 172mm fan wheel mounting 25.4mm blade angle 34° W 42mm aluminium |                 |              |
| <b>For models:</b> | GDS2600, GPS2600, GSA2600, GSD2600, GSF2600  |                 |              |




1

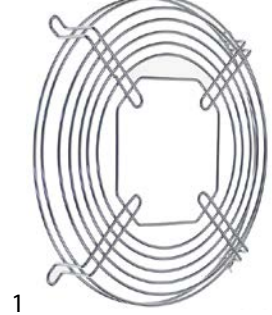
|                    |  |                 |                             |
|--------------------|--|-----------------|-----------------------------|
| <b>Part No.</b>    | 601070   | <b>Ref. No.</b> | 1.1.A.A03.03.05<br>W0301060 |
| <b>description</b> | fan wheel sucking ø 200mm fan wheel mounting 25.4mm blade angle 28° W 38mm aluminium |                 |                             |
| <b>For models:</b> | GFR2700, GGC2270, GGC2270B, GRE2700  |                 |                             |

fan guards



1


|                    |  |                 |                              |
|--------------------|--|-----------------|------------------------------|
| <b>Part No.</b>    | 602101   | <b>Ref. No.</b> | E192A1200300<br>E192A1723800 |
| <b>description</b> | guard ø 210mm H 35mm mounting distance 1 230mm mounting distance 2 100mm |                 |                              |
| <b>For models:</b> | GDS2600, GPS2600, GSA2600, GSD2600, GSF2600                              |                 |                              |




1

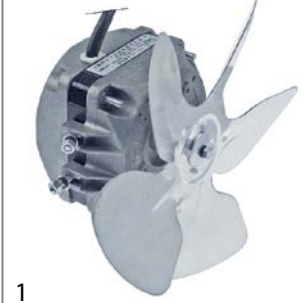
|                    |                                       |                 |              |
|--------------------|---------------------------------------|-----------------|--------------|
| <b>Part No.</b>    | 699432                                | <b>Ref. No.</b> | 1.1.B.B10.36 |
| <b>description</b> | guard ø 215mm mounting distance 230mm |                 |              |
| <b>For models:</b> | GGC2270, GGC2270B                     |                 |              |

cooling motors (complete)




1

|   |  |                 |                          |
|---|--|-----------------|--------------------------|
| <b>Part No.</b>   | 602174   | <b>Ref. No.</b> | W0301913                 |
| <b>description</b>  | fan 220-240V 7W 50/60Hz fan wheel ø 170mm connection cable 350mm 1300rpm GFR2700/GRE2700 |                 |                          |
| <b>For models:</b>  | GFR2700, GRE2700   |                 |                          |
| <b>accessories for</b>  | 602174   |                 |                          |
|   | <b>Part No.</b>  | 699579          | <b>Ref. No.</b> 80021501 |
|  | bracket for fan for evaporator L 130mm W 80mm hole distance 63mm for GFR2700/GRE2700     |                 |                          |




1


|                    |   |                 |          |
|--------------------|---|-----------------|----------|
| <b>Part No.</b>    | 601836  | <b>Ref. No.</b> | DQJB2004 |
| <b>description</b> | fan 220V 25/3W 50/60Hz fan wheel ø 172mm L 82mm W 82mm connection spate terminal M4 cable length 1000mm |                 |          |
| <b>For models:</b> | GBC1002, GBC1002S, GBC1002SS, GBC1003, GBC1003S, GBC1003SS, GBC1102, GBC1103                            |                 |          |





1

|   |   |                 |                   |
|---|---|-----------------|-------------------|
| <b>Part No.</b>   | 601835  | <b>Ref. No.</b> | DQJB2013          |
| <b>description</b>  | fan 220V 35/5W 50/60Hz L 82mm W 82mm connection spate terminal M4 cable length 1100mm |                 |                   |
| <b>spare parts for</b>  | 601835  |                 |                   |
|   | <b>Part No.</b>   | 602184          | <b>Ref. No.</b> — |
|  | fixing plate suitable for fanwheel ED ø 33mm shaft ø 6 mounting distance 17mm         |                 |                   |




|   |   |                 |                 |
|---|---|-----------------|-----------------|
|  |   |                 |                 |
| 1   |   |                 |                 |
| <b>Part No.</b>   | 601791  | <b>Ref. No.</b> | 1.1.A.A03.02.04 |
| <b>description</b>  | fan motor pair 220-240V 10W 50Hz fan wheel ø 110mm mounting distance 137mm cable length 800mm |                 |                 |
| <b>For models:</b>  | GGC2270, GGC2270B   |                 |                 |

**cold air circulating fans**  
cold air circulating fans

|   |  |                 |                              |
|---|--|-----------------|------------------------------|
|    |  |                 |                              |
| 1   |  |                 |                              |
| <b>Part No.</b>   | 601845   | <b>Ref. No.</b> | 1.1.A.A03.01.08              |
| <b>description</b>  | fan motor 220-240V 50Hz IN 22W / OUT 5W shaft ø 4mm shaft L 20/48mm L 65mm W 66mm H 73mm Qty 1 pcs |                 |                              |
| <b>For models:</b>  | GGC1078, GGC1078B  |                 |                              |
| <b>accessories for</b>  | 601845   |                 |                              |
|  | <b>Part No.</b>  | 601846          | <b>Ref. No.</b> 1.1.C.C17.04 |
|   | fan wheel blowing ø 150mm shaft intake ø 4mm W 33mm plastic Qty 1 pcs                              |                 |                              |

**accessories**  
fan wheels for cold air circulating fans

|   |   |                 |              |
|---|---|-----------------|--------------|
|  |   |                 |              |
| 1   |   |                 |              |
| <b>Part No.</b>   | 601846  | <b>Ref. No.</b> | 1.1.C.C17.04 |
| <b>description</b>  | fan wheel blowing ø 150mm shaft intake ø 4mm W 33mm plastic Qty 1 pcs |                 |              |
| <b>For models:</b>  | GGC1078, GGC1078B   |                 |              |

**cross flow fans**

**EMMEVI - FERGAS**  
with standard coil

|  |   |                 |          |
|--|---|-----------------|----------|
|  |   |                 |          |
| 1  |   |                 |          |
| <b>Part No.</b>  | 601018  | <b>Ref. No.</b> | 01202330 |
| <b>description</b>   | cross flow fan TG 180 roller ø 60mm roller length 180mm motor position right 230V/50Hz 25W universal bearing silicone connection male faston 6.3mm -10 up to +60°C 230V connections 1-2 1950U/min connections 1-4 1500U/min |                 |          |
| <b>For models:</b>   | GCO2001   |                 |          |

**accessories for cross flow fans**  
air ducts

|   |  |                 |          |
|---|--|-----------------|----------|
|  |  |                 |          |
| 1   |  |                 |          |
| <b>Part No.</b>   | 701630   | <b>Ref. No.</b> | 00012330 |
| <b>description</b>  | air duct for cross flow fan for combi-steamer plastic grey |                 |          |
| <b>For models:</b>  | GCO2001  |                 |          |

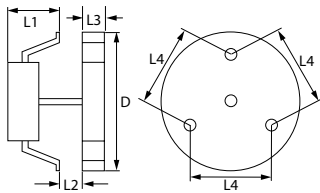



hot air fans

miscellaneous



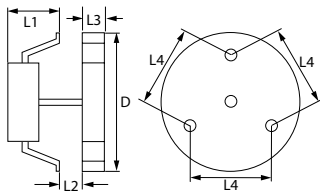
1



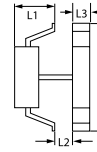
|   |   |                 |                   |
|---|---|-----------------|-------------------|
| <b>Part No.</b>   | 500902  | <b>Ref. No.</b> | MOT30029          |
| <b>description</b>  | fan motor 220V 55W 50/60Hz L1 68mm FIME type L25R without fan wheel |                 |                   |
| <b>For models:</b>  | GCO500  |                 |                   |
| <b>accessories for</b>  | 500902  |                 |                   |
|  | <b>Part No.</b>   | 550879          | <b>Ref. No.</b> — |
|   | insulation ø 130mm thickness 3mm hole ø 18mm for hot air fan        |                 |                   |



1



|                    |  |                 |          |
|--------------------|--|-----------------|----------|
| <b>Part No.</b>    | 602100   | <b>Ref. No.</b> | 01203230 |
| <b>description</b> | hot air fan 240V 59W 50/60Hz L1 80mm L2 16mm fan wheel ø 150mm IMS type 138251 |                 |          |
| <b>For models:</b> | GCO2001  |                 |          |

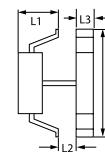


1

|                    |   |                 |              |
|--------------------|---|-----------------|--------------|
| <b>Part No.</b>    | 601838  | <b>Ref. No.</b> | 278009000033 |
| <b>description</b> | fan motor 220-240V 18W 2500rpm L1 33mm L2 12mm L3 15mm L4mm fan wheel ø 120mm shaft 2x2.5mm GALANZ type GAL6309E(30)-ZD Qty 1 pcs |                 |              |
| <b>For models:</b> | GMW1025   |                 |              |



1



|                    |  |                 |            |
|--------------------|--|-----------------|------------|
| <b>Part No.</b>    | 601827   | <b>Ref. No.</b> | DQB000019R |
| <b>description</b> | hot air fan 18V 2750rpm L1 6mm L2mm L3 16mm L4mm fan wheel ø 85mm type YHWF-85 |                 |            |
| <b>For models:</b> | GIC3035  |                 |            |

accessories

fan wheels for hot air fans



1

|                    |  |                 |              |
|--------------------|--|-----------------|--------------|
| <b>Part No.</b>    | 601839   | <b>Ref. No.</b> | 223149000014 |
| <b>description</b> | fan wheel ø 120mm W 32mm shaft intake ø 2x2.5mm plastic blades 4 Qty 1 pcs |                 |              |
| <b>For models:</b> | GMW1025  |                 |              |



1

|                    |  |                 |          |
|--------------------|--|-----------------|----------|
| <b>Part No.</b>    | 601261   | <b>Ref. No.</b> | VEN30013 |
| <b>description</b> | fan wheel ø 154mm W 25mm shaft intake ø 6x5mm chrome-plated blades 7 |                 |          |
| <b>For models:</b> | GCO500   |                 |          |



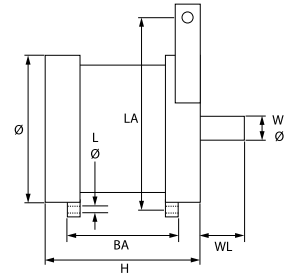
miscellaneous



|                    |   |                 |             |
|--------------------|---|-----------------|-------------|
| 1                  |   |                 |             |
| <b>Part No.</b>    | 601840  | <b>Ref. No.</b> | 22313900011 |
| <b>description</b> | bracket $\varnothing$ 130mm L 135mm W 130mm for hot air fan Qty 1 pcs |                 |             |
| <b>For models:</b> | GMW1025   |                 |             |

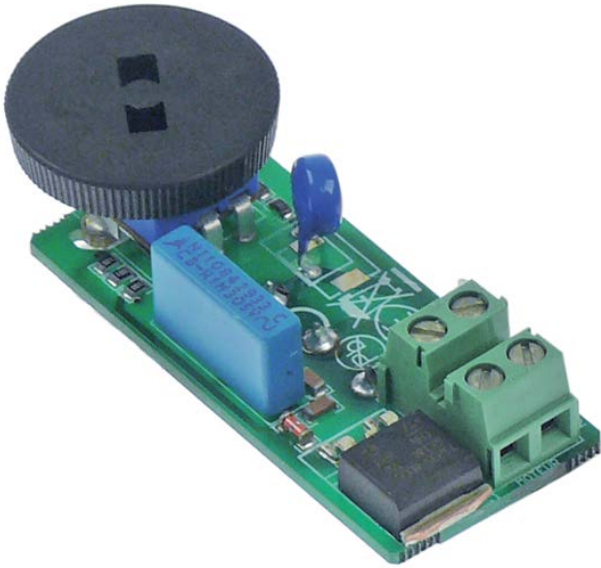
motors

for slicers

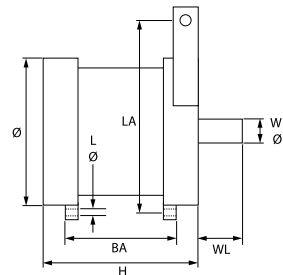


|                    |  |                 |            |
|--------------------|--|-----------------|------------|
| 1                  |  |                 |            |
| <b>Part No.</b>    | 501530   | <b>Ref. No.</b> | 0000001753 |
| <b>description</b> | motor 230V 1 phase 50Hz 1380rpm shaft $\varnothing$ 15mm shaft length 25mm 195-220 edition since 04/2016 |                 |            |
| <b>For models:</b> | GFS2019  |                 |            |

speed controllers



|                        |   |                 |             |
|------------------------|---|-----------------|-------------|
| 1                      |   |                 |             |
| <b>Part No.</b>        | 403165  | <b>Ref. No.</b> | 2852        |
| <b>description</b>     | PCB GSM1000 speed control                       |                 |             |
| <b>For models:</b>     | GSM1000   |                 |             |
| <b>spare parts for</b> | 403165  |                 |             |
|                        | <b>Part No.</b>                                 | <b>Ref. No.</b> | <b>2858</b> |
|                        | knob for PCB $\varnothing$ 26mm black Qty 1 pcs |                 |             |



|                    |   |                 |             |
|--------------------|---|-----------------|-------------|
| 1                  |   |                 |             |
| <b>Part No.</b>    | 501427  | <b>Ref. No.</b> | 00000700283 |
| <b>description</b> | motor 230V 1 phase 50Hz 1380rpm shaft $\varnothing$ 15mm shaft length 25mm $\varnothing$ 115mm H 86mm mounting distance 44mm hole distance 145mm hole $\varnothing$ 6mm type H35-700283 |                 |             |
| <b>For models:</b> | GFS1022, GFS2022  |                 |             |

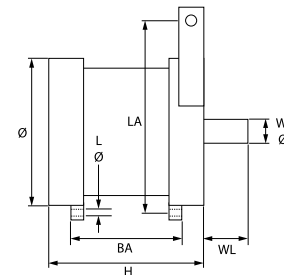
motors

gear motors

for microwaves



|                    |   |                 |             |
|--------------------|---|-----------------|-------------|
| 1                  |   |                 |             |
| <b>Part No.</b>    | 601867  | <b>Ref. No.</b> | 27801900017 |
| <b>description</b> | gear motor GALANZ type GAL-33-30-TD(B) 4W 30V voltage AC 50/60Hz 33/40rpm shaft $\varnothing$ 6x3.5mm for microwave Qty 1 pcs |                 |             |
| <b>For models:</b> | GMW1025   |                 |             |



|                    |   |                 |            |
|--------------------|---|-----------------|------------|
| 1                  |   |                 |            |
| <b>Part No.</b>    | 501434  | <b>Ref. No.</b> | 0000000423 |
| <b>description</b> | motor 230V 1 phase 50Hz 1380rpm shaft $\varnothing$ 15mm shaft length 33mm $\varnothing$ 113mm H 91mm mounting distance 49mm hole distance 150mm hole $\varnothing$ 6mm type H40-423 ELETTRMECANICA capacitor 8 $\mu$ F |                 |            |
| <b>For models:</b> | GFS1025, GFS2025  |                 |            |



1

|                    |   |                 |            |
|--------------------|---|-----------------|------------|
| <b>Part No.</b>    | 501433  | <b>Ref. No.</b> | 0000000681 |
| <b>description</b> | motor 230V 1 phase 50Hz 1380rpm shaft ø 15mm shaft length 35mm ø 113mm H 121mm mounting distance 79mm hole distance 150mm hole ø 6mm type H70-681 ELETTROMECHANICA capacitor 10µF |                 |            |
| <b>For models:</b> | GFS1030   |                 |            |

for hand blenders

**motors**

1

|                    |  |                 |      |
|--------------------|--|-----------------|------|
| <b>Part No.</b>    | 698378   | <b>Ref. No.</b> | 2847 |
| <b>description</b> | motor for hand blender 230V 100W shaft ø 6.4mm GSM1000 |                 |      |
| <b>For models:</b> | GSM1000  |                 |      |

for citrus juicers

1

|                    |   |                 |        |
|--------------------|---|-----------------|--------|
| <b>Part No.</b>    | 501426  | <b>Ref. No.</b> | 900956 |
| <b>description</b> | motor for citrus juicers 180W 230-240V 50Hz shaft ø 8mm shaft length 40mm type RCJ298252 0.18kW |                 |        |
| <b>For models:</b> | GJU1001   |                 |        |

**pumps**

wash and rinse pumps

LGB



1

|                    |   |                 |        |
|--------------------|---|-----------------|--------|
| <b>Part No.</b>    | 500984  | <b>Ref. No.</b> | 902263 |
| <b>description</b> | pump inlet ø 45mm outlet ø 39mm type ZF270VSX 230V 50Hz 1 phase 0.4kW L 209mm rotation direction right capacitor 10µF LGB |                 |        |
| <b>For models:</b> | GDW2001   |                 |        |

drain pumps

HANNING



1

|                    |  |                 |        |
|--------------------|--|-----------------|--------|
| <b>Part No.</b>    | 501596   | <b>Ref. No.</b> | 902332 |
| <b>description</b> | drain pump 40W 220-240V inlet ø 30mm outlet ø 24mm 50Hz type DPS35-061 HANNING |                 |        |
| <b>For models:</b> | GDW2001  |                 |        |

booster pumps II

accessories



1

|                    |  |                 |            |
|--------------------|--|-----------------|------------|
| <b>Part No.</b>    | 365015   | <b>Ref. No.</b> | 0000000633 |
| <b>description</b> | operating capacitor capacity 10µF 400V tolerance 5%Hz ambient temperature max. -25 to +85°C ø 35.5mm L 59mm M8 plastic connection male faston 6.3mm protection |                 |            |
| <b>For models:</b> | GFS1030, GFS2030   |                 |            |






1

|                    |  |                 |             |
|--------------------|--|-----------------|-------------|
| <b>Part No.</b>    | 365012   | <b>Ref. No.</b> | 00000000149 |
| <b>description</b> | operating capacitor capacity 6.3µF 450V tolerance 5% 50Hz ambient temperature max. -25 to +85°C ø 30mm L 61mm M8 plastic connection male faston 6.3mm protection |                 |             |
| <b>For models:</b> | GFS1022  |                 |             |

## condensators & interference suppression filters


### operating capacitors

#### plastic




1

|                    |  |                 |             |
|--------------------|--|-----------------|-------------|
| <b>Part No.</b>    | 365015   | <b>Ref. No.</b> | 00000000633 |
| <b>description</b> | operating capacitor capacity 10µF 400V tolerance 5%Hz ambient temperature max. -25 to +85°C ø 35.5mm L 59mm M8 plastic connection male faston 6.3mm protection |                 |             |
| <b>For models:</b> | GFS1030, GFS2030   |                 |             |



1

|                    |  |                 |             |
|--------------------|--|-----------------|-------------|
| <b>Part No.</b>    | 365012   | <b>Ref. No.</b> | 00000000149 |
| <b>description</b> | operating capacitor capacity 6.3µF 450V tolerance 5% 50Hz ambient temperature max. -25 to +85°C ø 30mm L 61mm M8 plastic connection male faston 6.3mm protection |                 |             |
| <b>For models:</b> | GFS1022  |                 |             |




1

|                    |   |                 |             |
|--------------------|---|-----------------|-------------|
| <b>Part No.</b>    | 365013  | <b>Ref. No.</b> | 00000000182 |
| <b>description</b> | operating capacitor capacity 8µF 400V tolerance 5%Hz ambient temperature max. -25 to +85°C ø 31.5mm L 55mm M8 plastic connection male faston 6.3mm protection |                 |             |
| <b>For models:</b> | GFS1025, GFS2019, GFS2022, GFS2025  |                 |             |

### filters

#### interference suppression filters




1

|                    |  |                 |        |
|--------------------|--|-----------------|--------|
| <b>Part No.</b>    | 365168   | <b>Ref. No.</b> | 902107 |
| <b>description</b> | interference suppression filter type FCP045000 250V 50/60Hz conductor 4 with E connection male faston 6.3mm L 56mm ø 38mm Hmm Wmm M8 plastic Qty 1 pcs |                 |        |
| <b>For models:</b> | GDW2001  |                 |        |

#### line filters

##### without housing



1

|                    |  |                 |              |
|--------------------|--|-----------------|--------------|
| <b>Part No.</b>    | 403188   | <b>Ref. No.</b> | 263029001088 |
| <b>description</b> | line filter microwave for GMW1025 250V 50/60Hz conductor 2 PCB connection male faston 4.8mm L 80mm H 20mm W 40mm PCB Qty 1 pcs cable length 120mm type DNV-0818A-5 |                 |              |
| <b>For models:</b> | GMW1025  |                 |              |

### HV capacitors




1

|                    |  |                 |              |
|--------------------|--|-----------------|--------------|
| <b>Part No.</b>    | 365159   | <b>Ref. No.</b> | 253059000142 |
| <b>description</b> | HV capacitor for microwave 1.15µF type CH85-21115 2100V 50/60Hz double connection male faston 4.8mm L 105mm H 33mm W 52mm dependent on equipment aluminium Qty 1 pcs |                 |              |
| <b>For models:</b> | GMW1025  |                 |              |

### fuses

#### fine fuses



1

|                    |  |                 |           |
|--------------------|--|-----------------|-----------|
| <b>Part No.</b>    | 358186   | <b>Ref. No.</b> | DZJ020003 |
| <b>description</b> | fuse size ø6.3x32 15A slow-acting rated 250V Qty 1 pcs |                 |           |
| <b>For models:</b> | GIC3035  |                 |           |



electric accessories

cables

power supply cables



1

|                    |   |                 |                      |
|--------------------|---|-----------------|----------------------|
| <b>Part No.</b>    | 551085  | <b>Ref. No.</b> | 0000009171<br>C03013 |
| <b>description</b> | cable CEE7/7 type E+F 3-pole contacts P+N+E 1.5mm <sup>2</sup> max. 16A max 230V 2m with plug H05VV-F 3G1.5 |                 |                      |
| <b>For models:</b> | GFS1022, GFS1025, GFS1030, GFS2019, GFS2022, GFS2025, GFS2030, GTO1001, GTO2001                             |                 |                      |



1

|                    |  |                 |              |
|--------------------|--|-----------------|--------------|
| <b>Part No.</b>    | 698880   | <b>Ref. No.</b> | E25EUB315300 |
| <b>description</b> | connecting cable 3-pole contacts P+N+E 1.5mm <sup>2</sup> max. 16A max 250V 2.9m |                 |              |
| <b>For models:</b> | GDS2600, GPS2600, GSA2600, GSD2600, GSF2600                                      |                 |              |



1

|                    |   |                 |         |
|--------------------|---|-----------------|---------|
| <b>Part No.</b>    | 699317  | <b>Ref. No.</b> | S900.47 |
| <b>description</b> | connecting cable CEE7/7 type E+F 3-pole contacts P+N+E 1.5mm <sup>2</sup> max. 16A max 250V 2.95m H05VV-F black |                 |         |
| <b>For models:</b> | GHS1600, GHS2600  |                 |         |



1

|                    |   |                 |                    |
|--------------------|---|-----------------|--------------------|
| <b>Part No.</b>    | 551203  | <b>Ref. No.</b> | C03007<br>CAV30014 |
| <b>description</b> | connecting cable CEE7/7 type E+F 3-pole contacts P+N+E 2.5mm <sup>2</sup> max. 16A max 230V 2m H07 RN-F with plug |                 |                    |
| <b>For models:</b> | GCO500, GEG2001   |                 |                    |



1

|                    |   |                 |              |
|--------------------|---|-----------------|--------------|
| <b>Part No.</b>    | 551232  | <b>Ref. No.</b> | 253159002607 |
| <b>description</b> | power lead CEE7/7 1mm <sup>2</sup> max 500V 1.5m Qty 1 pcs connection male faston 6.3mm black |                 |              |
| <b>For models:</b> | GMW1025   |                 |              |



1

|                    |   |                 |          |
|--------------------|---|-----------------|----------|
| <b>Part No.</b>    | 551217  | <b>Ref. No.</b> | DQXA6002 |
| <b>description</b> | power lead CEE7/7 type E+F 3-pole contacts P+N+E 0.75mm <sup>2</sup> max. 16A 2.2m with strain relief 16A Qty 1 pcs white     |                 |          |
| <b>For models:</b> | GBC1001, GBC1001S, GBC1001SS, GBC1002, GBC1002S, GBC1002SS, GBC1003, GBC1003S, GBC1003SS, GBC1102, GBC1103, GSC1100G, GSC2336 |                 |          |



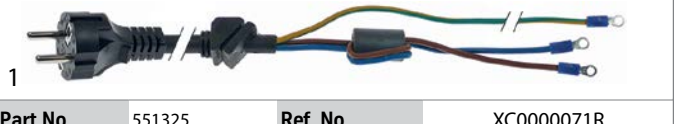
1

|                    |  |                 |   |
|--------------------|--|-----------------|---|
| <b>Part No.</b>    | 551218   | <b>Ref. No.</b> | 1.1.A.A08.02.02<br>1.1.A.A08.02.79<br>1.1.A.A08.02.87 |
| <b>description</b> | power lead CEE7/7 type E+F 3-pole contacts P+N+E 0.75mm <sup>2</sup> max. 16A max 230V 2m Qty 1 pcs grey |                 |   |
| <b>For models:</b> | GCV1600, GGC1078, GGC1078B, GGC2270, GGC2270B  |                 |   |



1

|                    |   |                 |          |
|--------------------|---|-----------------|----------|
| <b>Part No.</b>    | 552002  | <b>Ref. No.</b> | I3306470 |
| <b>description</b> | power lead CEE7/7 type E+F contacts P+N+E 1mm <sup>2</sup> max. 16A max 230V 2.5m |                 |          |
| <b>For models:</b> | GRE3600, GRE3600S   |                 |          |



1

|                    |   |                 |            |
|--------------------|---|-----------------|------------|
| <b>Part No.</b>    | 551325  | <b>Ref. No.</b> | XC0000071R |
| <b>description</b> | power lead P+N+E 1mm <sup>2</sup> max 500V 1.5m Qty 1m connection screw |                 |            |
| <b>For models:</b> | GIC3035   |                 |            |

accessories

cable glands

threaded cable glands

screw connections



1

|                    |   |                 |          |
|--------------------|---|-----------------|----------|
| <b>Part No.</b>    | 551379  | <b>Ref. No.</b> | PPC30004 |
| <b>description</b> | cable gland thread PG13.5 cable ø 12mm mounting ø 20mm WS 24 plastic Qty 1 pcs with nut |                 |          |
| <b>For models:</b> | GCO500  |                 |          |





1

|                    |  |                 |        |
|--------------------|--|-----------------|--------|
| <b>Part No.</b>    | 551288 <sup>1</sup>  | <b>Ref. No.</b> | A10032 |
| <b>description</b> | cable gland thread PG16 cable ø 14mm mounting ø 22.5mm WS 27 plastic Qty 1 pcs |                 |        |
| <b>For models:</b> | GEG2001  |                 |        |

<sup>1</sup>incl. fastening nut

## strain reliefs



1

|                    |   |                 |              |
|--------------------|---|-----------------|--------------|
| <b>Part No.</b>    | 506235  | <b>Ref. No.</b> | 1.1.C.C24.03 |
| <b>description</b> | strain relief L 28mm W 12mm H 8mm hole ø 3.5mm hole distance 16mm plastic Qty 1 pcs |                 |              |
| <b>For models:</b> | GGC1078, GGC1078B   |                 |              |

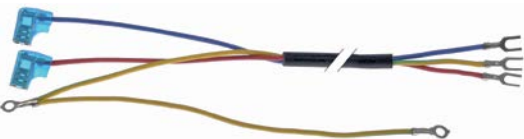
## cable harnesses



1

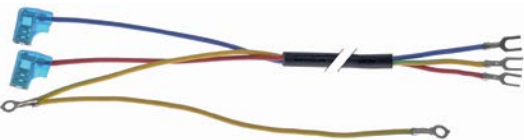
|                    |   |                 |              |
|--------------------|---|-----------------|--------------|
| <b>Part No.</b>    | 694615  | <b>Ref. No.</b> | 253169000472 |
| <b>description</b> | cable harness for microwave L 800mm Qty 1 pcs |                 |              |
| <b>For models:</b> | GMW1025                                       |                 |              |

## connection cables



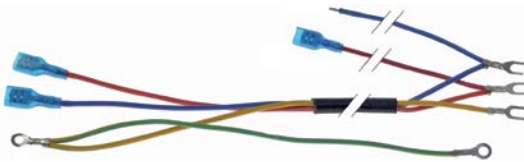
1

|                    |  |                 |          |
|--------------------|--|-----------------|----------|
| <b>Part No.</b>    | 699304   | <b>Ref. No.</b> | DQXB9019 |
| <b>description</b> | connection cable L 360mm 3-pole  |                 |          |
| <b>For models:</b> | GBC1001, GBC1001S, GBC1001SS, GBC1002, GBC1002S, GBC1002SS, GBC1003, GBC1003S, GBC1003SS, GBC1102, GBC1103 |                 |          |



1

|                    |                                 |                 |          |
|--------------------|---------------------------------|-----------------|----------|
| <b>Part No.</b>    | 699305                          | <b>Ref. No.</b> | DQXB2003 |
| <b>description</b> | connection cable L 650mm 3-pole |                 |          |
| <b>For models:</b> | GSC2336                         |                 |          |



1

|                    |                                 |                 |          |
|--------------------|---------------------------------|-----------------|----------|
| <b>Part No.</b>    | 699306                          | <b>Ref. No.</b> | DQXB4003 |
| <b>description</b> | connection cable L 665mm 3-pole |                 |          |
| <b>For models:</b> | GSC1100G                        |                 |          |

## terminals

## connection terminals with screw/faston connections



1

|                    |  |                 |          |
|--------------------|--|-----------------|----------|
| <b>Part No.</b>    | 551444   | <b>Ref. No.</b> | 01200720 |
| <b>description</b> | power terminal block 3-pole max. 25A max 450V connection male faston 6.3mm temp.-resist. 150°C |                 |          |
| <b>For models:</b> | GCO2001  |                 |          |



1

|                    |  |                 |          |
|--------------------|--|-----------------|----------|
| <b>Part No.</b>    | 550516   | <b>Ref. No.</b> | MOR30005 |
| <b>description</b> | power terminal block 3-pole max. 40A max 400V connection M6/ male faston 6.3mm temp.-resist. 150°C cross section 6mm <sup>2</sup> mounting distance 66.5mm |                 |          |
| <b>For models:</b> | GCO500   |                 |          |



1

|                    |  |                 |                  |
|--------------------|--|-----------------|------------------|
| <b>Part No.</b>    | 550411   | <b>Ref. No.</b> | 904150<br>A16014 |
| <b>description</b> | power terminal block 6-pole max. 40A max 450V connection ø6mm <sup>2</sup> / F6.3 temp.-resist. 150°C cross section 6mm <sup>2</sup> |                 |                  |
| <b>For models:</b> | GDW2001, GEG2001   |                 |                  |



connection terminals with faston connections



|                    |   |                 |        |
|--------------------|---|-----------------|--------|
| 1                  |   |                 |        |
| <b>Part No.</b>    | 519372  | <b>Ref. No.</b> | 904167 |
| <b>description</b> | distribution terminal block 4-pole max. 17.5A max 450V connection F6.3 temp.-resist. 110°C 450V |                 |        |
| <b>For models:</b> | GDW2001   |                 |        |

connection boxes



|                    |  |                 |        |
|--------------------|--|-----------------|--------|
| 1                  |  |                 |        |
| <b>Part No.</b>    | 550300                                     | <b>Ref. No.</b> | A10007 |
| <b>description</b> | power terminal block 3-pole contacts P+N+E |                 |        |
| <b>For models:</b> | GTO1001, GTO2001                           |                 |        |

terminal boxes



|                    |   |                 |         |
|--------------------|---|-----------------|---------|
| 1                  |   |                 |         |
| <b>Part No.</b>    | 551214  | <b>Ref. No.</b> | S900.48 |
| <b>description</b> | terminal box 4-pole L 90mm W 52mm H 28mm with strain relief Qty 1 pcs |                 |         |
| <b>For models:</b> | GHS1600, GHS2600  |                 |         |



|                    |   |                 |          |
|--------------------|---|-----------------|----------|
| 1                  |   |                 |          |
| <b>Part No.</b>    | 551216  | <b>Ref. No.</b> | SLZB3001 |
| <b>description</b> | terminal box 4-pole L 90mm W 52mm H 33mm with strain relief 250V 1mm <sup>2</sup> Qty 1 pcs                         |                 |          |
| <b>For models:</b> | GBC1001, GBC1001S, GBC1001SS, GBC1002, GBC1002S, GBC1002SS, GBC1003, GBC1003S, GBC1003SS, GBC1102, GBC1103, GSC2336 |                 |          |

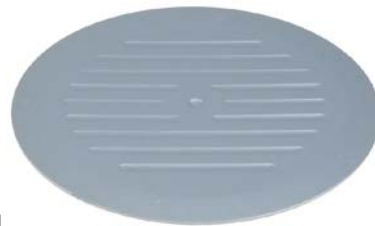
equipmentspecific units

for slicers

covers



|                    |  |                 |             |
|--------------------|--|-----------------|-------------|
| 1                  |  |                 |             |
| <b>Part No.</b>    | 696528   | <b>Ref. No.</b> | 00000000489 |
| <b>description</b> | blade covering ø 180mm for knife ø 220mm mounting thread M6 fixing dimensions 12x12mm cast aluminium edition since year of construction 2010 |                 |             |
| <b>For models:</b> | GFS1022, GFS2022   |                 |             |

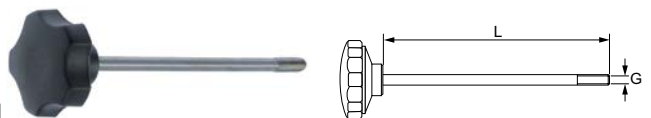


|                    |   |                 |                            |
|--------------------|---|-----------------|----------------------------|
| 1                  |   |                 |                            |
| <b>Part No.</b>    | 697749  | <b>Ref. No.</b> | 00000000463<br>00000000490 |
| <b>description</b> | blade covering ø 209mm for knife ø 250mm mounting thread M6 fixing dimensions 12x12mm aluminium |                 |                            |
| <b>For models:</b> | GFS1025, GFS2025  |                 |                            |

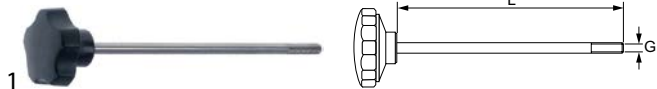


|                    |   |                 |             |
|--------------------|---|-----------------|-------------|
| 1                  |   |                 |             |
| <b>Part No.</b>    | 697744  | <b>Ref. No.</b> | 00000000403 |
| <b>description</b> | blade covering ø 248mm for knife ø 300mm mounting thread M6 fixing dimensions 12x12mm aluminium |                 |             |
| <b>For models:</b> | GFS1030, GFS2030  |                 |             |

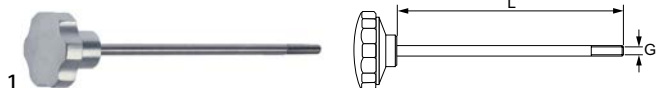
locking screws



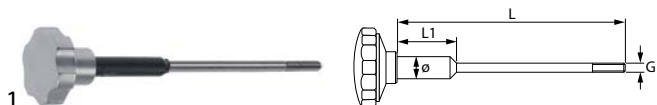
|                    |                                       |                 |                            |
|--------------------|---------------------------------------|-----------------|----------------------------|
| 1                  |                                       |                 |                            |
| <b>Part No.</b>    | 698376                                | <b>Ref. No.</b> | 00000001302<br>00000701302 |
| <b>description</b> | locking screw thread M6 L 134mm black |                 |                            |
| <b>For models:</b> | GFS1022, GFS2022                      |                 |                            |



|                    |   |                 |            |
|--------------------|---|-----------------|------------|
| <b>Part No.</b>    | 697439  | <b>Ref. No.</b> | 0000000777 |
| <b>description</b> | locking screw thread M6 L 155mm handle ø 40mm |                 |            |
| <b>For models:</b> | GFS2025                                       |                 |            |



|                    |  |                 |            |
|--------------------|--|-----------------|------------|
| <b>Part No.</b>    | 696602   | <b>Ref. No.</b> | 0000009958 |
| <b>description</b> | locking screw thread M6 L 188mm handle ø 39mm for model 300/S-G, Dolly Verticale VS300 |                 |            |
| <b>For models:</b> | GFS1030  |                 |            |



|                    |  |                 |            |
|--------------------|--|-----------------|------------|
| <b>Part No.</b>    | 698629   | <b>Ref. No.</b> | 0000070956 |
| <b>description</b> | locking screw thread M6 L 155mm ø 10mm L1 55mm handle ø 29mm |                 |            |
| <b>For models:</b> | GFS1025  |                 |            |

## adjustment knobs



|                    |  |                 |                           |
|--------------------|--|-----------------|---------------------------|
| <b>Part No.</b>    | 697419   | <b>Ref. No.</b> | 0000000130<br>00000700130 |
| <b>description</b> | adjusting knob 0-15 ø 55mm shaft ø 12mm shaft L 28mm handle ø 42mm 250 |                 |                           |
| <b>For models:</b> | GFS1022, GFS2019, GFS2022, GFS2025, GFS2030                            |                 |                           |



|                    |  |                 |            |
|--------------------|--|-----------------|------------|
| <b>Part No.</b>    | 696522   | <b>Ref. No.</b> | 0000009503 |
| <b>description</b> | adjusting knob 0-22 ø 68mm shaft ø 18mm shaft L 50mm handle ø 68mm turn direction left |                 |            |
| <b>For models:</b> | GFS1030  |                 |            |

## eccentric disc for slice thickness



|                    |  |                 |            |
|--------------------|--|-----------------|------------|
| <b>Part No.</b>    | 697470   | <b>Ref. No.</b> | 0000000830 |
| <b>description</b> | eccentrics for cutting thickness hole ø 12mm groove width 6mm ED ø 52mm thickness 21.5mm |                 |            |
| <b>For models:</b> | GFS2025  |                 |            |



|                    |  |                 |            |
|--------------------|--|-----------------|------------|
| <b>Part No.</b>    | 697471   | <b>Ref. No.</b> | 0000000379 |
| <b>description</b> | eccentrics for cutting thickness hole ø 12mm groove width 6mm ED ø 58mm thickness 21mm |                 |            |
| <b>For models:</b> | GFS1022, GFS1025, GFS2019, GFS2022, GFS2030  |                 |            |

## spring washers



|                    |   |                 |            |
|--------------------|---|-----------------|------------|
| <b>Part No.</b>    | 697478                                      | <b>Ref. No.</b> | 0000000671 |
| <b>description</b> | spring washer ID ø 19mm ED ø 26mm Qty 1 pcs |                 |            |
| <b>For models:</b> | GFS1030                                     |                 |            |

## guiding pieces

### for sliding plates





|                    |                           |                 |            |
|--------------------|---------------------------|-----------------|------------|
| <b>Part No.</b>    | 697483                    | <b>Ref. No.</b> | 0000000117 |
| <b>description</b> | guide 195                 |                 |            |
| <b>For models:</b> | GFS1022, GFS2019, GFS2022 |                 |            |




|                    |                  |                 |            |
|--------------------|------------------|-----------------|------------|
| <b>Part No.</b>    | 697448           | <b>Ref. No.</b> | 0000009177 |
| <b>description</b> | guide 220-250    |                 |            |
| <b>For models:</b> | GFS2025, GFS2030 |                 |            |





|  |   |                 |                            |
|--|---|-----------------|----------------------------|
|  <p>1</p> |   |                 |                            |
| <b>Part No.</b>  | 696524  | <b>Ref. No.</b> | 00000000602<br>00000009691 |
| <b>description</b>   | guide L 117mm W 92mm H 51mm hole ø 18mm shaft intake ø 16mm aluminium |                 |                            |
| <b>For models:</b>   | GFS1030   |                 |                            |


|  |                                    |                 |             |
|--|------------------------------------|-----------------|-------------|
|  <p>1</p> |                                    |                 |             |
| <b>Part No.</b>  | 697477                             | <b>Ref. No.</b> | 00000000126 |
| <b>description</b>   | connection plate L 75mm W 15mm     |                 |             |
| <b>For models:</b>   | GFS2019, GFS2022, GFS2025, GFS2030 |                 |             |


|   |                           |                 |             |
|---|---------------------------|-----------------|-------------|
| <p>for carriage</p>  <p>1</p> |                           |                 |             |
| <b>Part No.</b>   | 696510                    | <b>Ref. No.</b> | 00000009466 |
| <b>description</b>  | guide 220                 |                 |             |
| <b>For models:</b>  | GFS1022, GFS2019, GFS2022 |                 |             |


|  |                                 |                 |             |
|--|---------------------------------|-----------------|-------------|
| <p>bushes</p>  <p>1</p> |                                 |                 |             |
| <b>Part No.</b>  | 698626                          | <b>Ref. No.</b> | 00000000119 |
| <b>description</b>   | bush ED ø 18mm ID ø 16mm H 15mm |                 |             |
| <b>For models:</b>   | GFS1030, GFS2025, GFS2030       |                 |             |


|  |                               |                 |             |
|--|-------------------------------|-----------------|-------------|
|  <p>1</p> |                               |                 |             |
| <b>Part No.</b>  | 698627                        | <b>Ref. No.</b> | 00000000611 |
| <b>description</b>   | bush ED ø 8mm ID ø 5mm H 10mm |                 |             |
| <b>For models:</b>   | GFS1030                       |                 |             |


|   |   |                 |             |
|---|---|-----------------|-------------|
| <p>spindles</p>  <p>1</p> |   |                 |             |
| <b>Part No.</b>   | 697782  | <b>Ref. No.</b> | 00000000501 |
| <b>description</b>  | spindle for carriage ø 16mm L 390mm thread M8 |                 |             |
| <b>For models:</b>  | GFS1025                                       |                 |             |

|  |                           |                 |             |
|--|---------------------------|-----------------|-------------|
| <p> housings</p> <p>bottom parts</p>  <p>1</p> |                           |                 |             |
| <b>Part No.</b>  | 696512                    | <b>Ref. No.</b> | 00000000504 |
| <b>description</b>   | bottom plate 220          |                 |             |
| <b>For models:</b>   | GFS1022, GFS2019, GFS2022 |                 |             |


|   |  |                 |             |
|---|--|-----------------|-------------|
|  <p>1</p> |  |                 |             |
| <b>Part No.</b>   | 696345                                   | <b>Ref. No.</b> | 00000000516 |
| <b>description</b>  | bottom plate L 390mm W 190mm plastic 300 |                 |             |
| <b>For models:</b>  | GFS1025                                  |                 |             |


|   |                                      |                 |             |
|---|--------------------------------------|-----------------|-------------|
|  <p>1</p> |                                      |                 |             |
| <b>Part No.</b>   | 698393                               | <b>Ref. No.</b> | 00000000701 |
| <b>description</b>  | bottom plate L 409mm W 174mm plastic |                 |             |
| <b>For models:</b>  | GFS2025, GFS2030                     |                 |             |


|   |                               |                 |             |
|---|-------------------------------|-----------------|-------------|
|  <p>1</p> |                               |                 |             |
| <b>Part No.</b>   | 698389                        | <b>Ref. No.</b> | 00000000768 |
| <b>description</b>  | cover L 447mm W 180mm plastic |                 |             |
| <b>For models:</b>  | GFS1030                       |                 |             |


|  |  |                 |             |
|--|--|-----------------|-------------|
| <p>hand guard</p>  <p>1</p> |  |                 |             |
| <b>Part No.</b>  | 697754   | <b>Ref. No.</b> | 00000000784 |
| <b>description</b>   | hand protection for knife ø 300mm H 125mm W 60mm thickness 1.2mm hole ø 6.5mm mounting distance 84mm stainless steel |                 |             |
| <b>For models:</b>   | GFS1030  |                 |             |




|   |   |                 |             |
|---|---|-----------------|-------------|
|  |   |                 |             |
| 1   |   |                 |             |
| <b>Part No.</b>   | 696511                                      | <b>Ref. No.</b> | 00000000197 |
| <b>description</b>  | wiper for knife ø 220/250mm stainless steel |                 |             |
| <b>For models:</b>  | GFS1025, GFS2025                            |                 |             |


|   |  |                 |             |
|---|--|-----------------|-------------|
|  |  |                 |             |
| 1   |  |                 |             |
| <b>Part No.</b>   | 697755   | <b>Ref. No.</b> | 00000000162 |
| <b>description</b>  | hand protection for carriage 300 H 180mm W 152mm thickness 5mm hole ø 10mm mounting distance 110mm plastic |                 |             |
| <b>For models:</b>  | GFS1030  |                 |             |


|   |                            |                 |             |
|---|----------------------------|-----------------|-------------|
|  |                            |                 |             |
| 1   |                            |                 |             |
| <b>Part No.</b>   | 697826                     | <b>Ref. No.</b> | 00000000924 |
| <b>description</b>  | hand protection for slicer |                 |             |
| <b>For models:</b>  | GFS1025, GFS2025           |                 |             |


|   |                                    |                 |             |
|---|------------------------------------|-----------------|-------------|
|  |                                    |                 |             |
| 1   |                                    |                 |             |
| <b>Part No.</b>   | 698964                             | <b>Ref. No.</b> | 00000000482 |
| <b>description</b>  | hand protection for slicer 195-220 |                 |             |
| <b>For models:</b>  | GFS2019, GFS2022                   |                 |             |





## accessories

|   |   |                 |             |
|---|---|-----------------|-------------|
|  |   |                 |             |
| 1   |   |                 |             |
| <b>Part No.</b>   | 697482                                      | <b>Ref. No.</b> | 00000000446 |
| <b>description</b>  | screw thread M5 ø 8mm L 15mm                |                 |             |
| <b>For models:</b>  | GFS1025, GFS1030, GFS2019, GFS2022, GFS2025 |                 |             |

|   |  |                 |             |
|---|--|-----------------|-------------|
|  |  |                 |             |
| 1   |  |                 |             |
| <b>Part No.</b>   | 697481   | <b>Ref. No.</b> | 00000000623 |
| <b>description</b>  | Thumb screw thread M6 thread L 8mm ø 14mm H 6mm SS |                 |             |
| <b>For models:</b>  | GFS1030, GFS2019, GFS2022, GFS2025                 |                 |             |


|  |  |                 |             |
|--|--|-----------------|-------------|
|  |  |                 |             |
| 1  |  |                 |             |
| <b>Part No.</b>  | 698640   | <b>Ref. No.</b> | 00000009924 |
| <b>description</b>   | blade pulley complete with shaft shaft ø 14 shaft length 95mm mounting thread M5 3 hole fixing |                 |             |
| <b>For models:</b>   | GFS1022, GFS2022   |                 |             |

|  |   |                 |             |
|--|---|-----------------|-------------|
|  |   |                 |             |
| 1  |   |                 |             |
| <b>Part No.</b>  | 697747  | <b>Ref. No.</b> | 00000009920 |
| <b>description</b>   | blade pulley with spindle D1 ø 40mm D2 ø 64.3mm D3 ø 67.5mm shaft ø 14 L 33mm shaft length 152mm mounting thread M5 mounting ø 3-hole |                 |             |
| <b>For models:</b>   | GFS1025   |                 |             |


|  |  |                 |                             |
|--|--|-----------------|-----------------------------|
|  |  |                 |                             |
| 1  |  |                 |                             |
| <b>Part No.</b>  | 697746   | <b>Ref. No.</b> | 00000009469                 |
| <b>description</b>   | blade pulley with spindle D1 ø 40mm D2 ø 76mm shaft ø 16 L 40mm shaft length 157mm mounting thread M5 mounting ø 3-hole    |                 |                             |
| <b>For models:</b>   | GFS1030  |                 |                             |
| <b>spare parts for</b>   | 697746   |                 |                             |
|   | <b>Part No.</b>  | 514030          | <b>Ref. No.</b> —           |
|  | retaining ring shaft ø 20mm thickness 1.3mm steel DIN 471  |                 |                             |
|   | <b>Part No.</b>  | 523512          | <b>Ref. No.</b> 00000000632 |
|  | deep-groove ball bearing type 6204-2RS shaft ø 20mm ED ø 47mm W 14mm with sealing discs deep-groove ball bearing DIN 625-1 |                 |                             |
|   | <b>Part No.</b>  | 692029          | <b>Ref. No.</b> —           |
|  | retaining ring bore ø 47mm thickness 1.8mm steel DIN 472   |                 |                             |









| food holders  |  |                 |             |
|---|--|-----------------|-------------|
| handles   |  |                 |             |
|  |  |                 |             |
| 1   |  |                 |             |
| <b>Part No.</b>   | 698642                                     | <b>Ref. No.</b> | 00000001130 |
| <b>description</b>  | handle thread M10 ø 59mm L 100mm aluminium |                 |             |
| <b>For models:</b>  | GFS1030                                    |                 |             |


|   |  |                 |                             |
|---|--|-----------------|-----------------------------|
|  |  |                 |                             |
| 1   |  |                 |                             |
| <b>Part No.</b>   | 696515   | <b>Ref. No.</b> | 00000001242                 |
| <b>description</b>  | handle thread M10x1.5 ø 34mm L 88mm food holder  |                 |                             |
| <b>For models:</b>  | GFS1025  |                 |                             |
| <b>accessories for</b>  | 696515   |                 |                             |
|   | <b>Part No.</b>  | 696517          | <b>Ref. No.</b> 00000800678 |
|   |  thread bolt for handle ø 12mm L 64mm thread M6/M10 stainless steel |                 |                             |



|  |   |                 |             |
|--|---|-----------------|-------------|
|  |   |                 |             |
| 1  |   |                 |             |
| <b>Part No.</b>  | 697429  | <b>Ref. No.</b> | 00000000298 |
| <b>description</b>   | handle thread M6 ø 25mm L 126mm with hand guard D1 ø 70mm |                 |             |
| <b>For models:</b>   | GFS2019, GFS2022, GFS2025, GFS2030                        |                 |             |

| food holders  |   |                 |                   |
|---|---|-----------------|-------------------|
|  |   |                 |                   |
| 1   |   |                 |                   |
| <b>Part No.</b>   | 698644  | <b>Ref. No.</b> | 00000000608       |
| <b>description</b>  | food holder 300-350 L 290mm hole ø 12mm handle M10 CE   |                 |                   |
| <b>For models:</b>  | GFS1030   |                 |                   |
| <b>accessories for</b>  | 698644  |                 |                   |
|   | <b>Part No.</b>   | 110703          | <b>Ref. No.</b> — |
|   |  cylindrical handle thread M10 ø 28mm L 87mm |                 |                   |

|   |   |                 |             |
|---|---|-----------------|-------------|
|  |   |                 |             |
| 1   |   |                 |             |
| <b>Part No.</b>   | 698418  | <b>Ref. No.</b> | 00000009878 |
| <b>description</b>  | food holder L 240mm hole ø 12mm handle M6 with handle |                 |             |
| <b>For models:</b>  | GFS1025, GFS2025, GFS2030                             |                 |             |

| accessories  |  |                 |             |
|--|--|-----------------|-------------|
|  |  |                 |             |
| 1  |  |                 |             |
| <b>Part No.</b>  | 698630   | <b>Ref. No.</b> | 00000000827 |
| <b>description</b>   | spike food holder ø 3mm L 11.5mm                     |                 |             |
| <b>For models:</b>   | GFS1025, GFS1030, GFS2019, GFS2022, GFS2025, GFS2030 |                 |             |

|  |  |                 |             |
|--|--|-----------------|-------------|
|  |  |                 |             |
| 1  |  |                 |             |
| <b>Part No.</b>  | 697480   | <b>Ref. No.</b> | 00000000151 |
| <b>description</b>   | stop bolt food holder ø 7.5mm L 8mm plastic          |                 |             |
| <b>For models:</b>   | GFS1025, GFS1030, GFS2019, GFS2022, GFS2025, GFS2030 |                 |             |

|  |  |                 |                             |
|--|--|-----------------|-----------------------------|
|  |  |                 |                             |
| 1  |  |                 |                             |
| <b>Part No.</b>  | 696517   | <b>Ref. No.</b> | 00000800678                 |
| <b>description</b>   | thread bolt for handle ø 12mm L 64mm thread M6/M10 stainless steel   |                 |                             |
| <b>For models:</b>   | GFS1025  |                 |                             |
| <b>accessories for</b>   | 696517   |                 |                             |
|  | <b>Part No.</b>  | 696515          | <b>Ref. No.</b> 00000001242 |
|  |  handle thread M10x1.5 ø 34mm L 88mm food holder |                 |                             |

| blades   |  |                 |             |
|--|--|-----------------|-------------|
| standard   |  |                 |             |
|  |  |                 |             |
| 1  |  |                 |             |
| <b>Part No.</b>  | 697546   | <b>Ref. No.</b> | 00000000254 |
| <b>description</b>   | slicing machine blade ED ø 195mm seat ø 30mm 3-hole ID ø 155mm H 12.8mm C45 standard |                 |             |
| <b>For models:</b>   | GFS2019  |                 |             |

|  |   |                 |             |
|--|---|-----------------|-------------|
|  |   |                 |             |
| 1  |   |                 |             |
| <b>Part No.</b>  | 697436  | <b>Ref. No.</b> | 00000000855 |
| <b>description</b>   | slicing machine blade ED ø 220mm seat ø 40mm 3-hole ID ø 180mm H 15.5mm C45 |                 |             |
| <b>For models:</b>   | GFS1022, GFS2022  |                 |             |

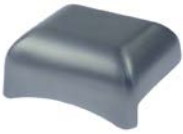



|   |  |                 |             |
|---|--|-----------------|-------------|
|  |  |                 |             |
| 1   |  |                 |             |
| <b>Part No.</b>   | 697365   | <b>Ref. No.</b> | 00000000142 |
| <b>description</b>  | slicing machine blade ED ø 250mm seat ø 40mm 3-hole ID ø 210mm H 17.5mm C45 standard |                 |             |
| <b>For models:</b>  | GFS1025, GFS2025   |                 |             |

|   |  |                 |             |
|---|--|-----------------|-------------|
|  |  |                 |             |
| 1   |  |                 |             |
| <b>Part No.</b>   | 697385   | <b>Ref. No.</b> | 00000000636 |
| <b>description</b>  | slicing machine blade ED ø 300mm seat ø 40mm 3-hole ID ø 250mm H 20mm C45 standard |                 |             |
| <b>For models:</b>  | GFS1030, GFS2030   |                 |             |


## sharpeners units

## lids

|   |   |                 |             |
|---|---|-----------------|-------------|
|  |   |                 |             |
| 1   |   |                 |             |
| <b>Part No.</b>   | 696514  | <b>Ref. No.</b> | 00000000863 |
| <b>description</b>  | lid for sharpeners units L 116mm W 100mm mounting distance 26mm |                 |             |
| <b>For models:</b>  | GFS1025, GFS2022, GFS2025                                       |                 |             |


|   |  |                 |             |
|---|--|-----------------|-------------|
|  |  |                 |             |
| 1   |  |                 |             |
| <b>Part No.</b>   | 698643                                   | <b>Ref. No.</b> | 00000000596 |
| <b>description</b>  | lid for sharpeners units L 150mm W 120mm |                 |             |
| <b>For models:</b>  | GFS1030, GFS2030                         |                 |             |


## holders


|   |   |                 |             |
|---|---|-----------------|-------------|
|  |   |                 |             |
| 1   |   |                 |             |
| <b>Part No.</b>   | 696493  | <b>Ref. No.</b> | 00000000771 |
| <b>description</b>  | bracket for sharpeners units L 60mm W 31mm H 78mm hole ø 12mm mounting thread M6 with fastening angle |                 |             |
| <b>For models:</b>  | GFS1030   |                 |             |


## knobs

|  |  |                 |             |
|--|--|-----------------|-------------|
|  |  |                 |             |
| 1  |  |                 |             |
| <b>Part No.</b>  | 697441   | <b>Ref. No.</b> | 00000000854 |
| <b>description</b>   | locking screw thread M5 handle ø 25mm black L 30mm |                 |             |
| <b>For models:</b>   | GFS2022, GFS2025                                   |                 |             |

|  |   |                 |             |
|--|---|-----------------|-------------|
|  |   |                 |             |
| 1  |   |                 |             |
| <b>Part No.</b>  | 696518  | <b>Ref. No.</b> | 00000000954 |
| <b>description</b>   | locking screw thread M5 L 47mm handle ø 25mm silver |                 |             |
| <b>For models:</b>   | GFS1025   |                 |             |

|  |  |                 |             |
|--|--|-----------------|-------------|
|  |  |                 |             |
| 1  |  |                 |             |
| <b>Part No.</b>  | 697428   | <b>Ref. No.</b> | 00000000138 |
| <b>description</b>   | locking screw thread M6 handle ø 25mm black L 15mm |                 |             |
| <b>For models:</b>   | GFS2019  |                 |             |


|  |  |                 |             |
|--|--|-----------------|-------------|
|  |  |                 |             |
| 1  |  |                 |             |
| <b>Part No.</b>  | 697384   | <b>Ref. No.</b> | 00000000734 |
| <b>description</b>   | locking screw thread M6 handle ø 25mm black L 54mm |                 |             |
| <b>For models:</b>   | GFS2030  |                 |             |

|  |   |                 |              |
|--|---|-----------------|--------------|
|  |   |                 |              |
| 1  |   |                 |              |
| <b>Part No.</b>  | 696523  | <b>Ref. No.</b> | 000000009510 |
| <b>description</b>   | locking screw thread M6 L 53mm handle ø 34mm silver |                 |              |
| <b>For models:</b>   | GFS1030   |                 |              |

|  |  |                 |             |
|--|--|-----------------|-------------|
|  |  |                 |             |
| 1  |  |                 |             |
| <b>Part No.</b>  | 697445   | <b>Ref. No.</b> | 00000000677 |
| <b>description</b>   | mushroom cap handle thread M6 handle ø 33mm L 26mm plastic black |                 |             |
| <b>For models:</b>   | GFS2030  |                 |             |




**sharpeners units**






1

|                    |                                    |                 |             |
|--------------------|------------------------------------|-----------------|-------------|
| <b>Part No.</b>    | 697397                             | <b>Ref. No.</b> | 00000009864 |
| <b>description</b> | blade sharpener 220/250/275        |                 |             |
| <b>For models:</b> | GFS1022, GFS1025, GFS2022, GFS2025 |                 |             |






1


|  |   |                 |                 |             |
|--|---|-----------------|-----------------|-------------|
| <b>Part No.</b>  | 697355  | <b>Ref. No.</b> | 00000009693     |             |
| <b>description</b>   | blade sharpener 350   |                 |                 |             |
| <b>For models:</b>   | GFS1030   |                 |                 |             |
| <b>spare parts for</b>   | 697355  |                 |                 |             |
|   | <b>Part No.</b>   | 697377          | <b>Ref. No.</b> | 00000000720 |
|  | grindstone ø 51mm thickness 12mm bore ø 8mm grained coarse without bevel        |                 |                 |             |
|  | <b>Part No.</b>   | 697378          | <b>Ref. No.</b> | 00000000721 |
|  | grindstone ø 51mm thickness 7mm bore ø 8mm grained fine with bevel, without hub |                 |                 |             |



1

|   |  |                 |                 |             |
|---|--|-----------------|-----------------|-------------|
| <b>Part No.</b>   | 697420   | <b>Ref. No.</b> | 00000009168     |             |
| <b>description</b>  | blade sharpener PARKER   |                 |                 |             |
| <b>For models:</b>  | GFS2019  |                 |                 |             |
| <b>spare parts for</b>  | 697420   |                 |                 |             |
|  | <b>Part No.</b>  | 697423          | <b>Ref. No.</b> | 00000000816 |
|   | grindstone ø 40mm thickness 8mm bore ø 6mm grained fine with bevel, with hub   |                 |                 |             |
|  | <b>Part No.</b>  | 697424          | <b>Ref. No.</b> | 00000000871 |
|   | grindstone ø 40mm thickness 8mm bore ø 6mm grained coarse with bevel, with hub |                 |                 |             |
|  | <b>Part No.</b>  | 697428          | <b>Ref. No.</b> | 00000000138 |
|   | locking screw thread M6 handle ø 25mm black L 15mm                             |                 |                 |             |

**spindles**



1

|                    |   |                 |             |
|--------------------|---|-----------------|-------------|
| <b>Part No.</b>    | 698633  | <b>Ref. No.</b> | 00000000778 |
| <b>description</b> | spindle for sharpener units ø 12mm L 95mm thread M5 |                 |             |
| <b>For models:</b> | GFS1030   |                 |             |


**grindstones**



1

|                    |   |                 |             |
|--------------------|---|-----------------|-------------|
| <b>Part No.</b>    | 697378  | <b>Ref. No.</b> | 00000000721 |
| <b>description</b> | grindstone ø 51mm thickness 7mm bore ø 8mm grained fine with bevel, without hub |                 |             |
| <b>For models:</b> | GFS1030, GFS2030  |                 |             |

**grindstones with hub**




1

|                    |  |                 |             |
|--------------------|--|-----------------|-------------|
| <b>Part No.</b>    | 697424   | <b>Ref. No.</b> | 00000000871 |
| <b>description</b> | grindstone ø 40mm thickness 8mm bore ø 6mm grained coarse with bevel, with hub |                 |             |
| <b>For models:</b> | GFS2019  |                 |             |




1

|                    |  |                 |             |
|--------------------|--|-----------------|-------------|
| <b>Part No.</b>    | 697423   | <b>Ref. No.</b> | 00000000816 |
| <b>description</b> | grindstone ø 40mm thickness 8mm bore ø 6mm grained fine with bevel, with hub |                 |             |
| <b>For models:</b> | GFS2019  |                 |             |



1

|                    |  |                 |             |
|--------------------|--|-----------------|-------------|
| <b>Part No.</b>    | 697421   | <b>Ref. No.</b> | 00000000641 |
| <b>description</b> | grindstone ø 45mm thickness 8mm bore ø 6mm grained coarse with bevel, with hub |                 |             |
| <b>For models:</b> | GFS1025, GFS2022, GFS2025  |                 |             |



1

|                    |  |                 |             |
|--------------------|--|-----------------|-------------|
| <b>Part No.</b>    | 697422   | <b>Ref. No.</b> | 00000000642 |
| <b>description</b> | grindstone ø 45mm thickness 8mm bore ø 6mm grained fine with bevel, with hub |                 |             |
| <b>For models:</b> | GFS1025, GFS2022, GFS2025  |                 |             |



## grindstones cup form



1

|                    |  |                 |             |
|--------------------|--|-----------------|-------------|
| <b>Part No.</b>    | 697377   | <b>Ref. No.</b> | 00000000720 |
| <b>description</b> | grindstone ø 51mm thickness 12mm bore ø 8mm grained coarse without bevel |                 |             |
| <b>For models:</b> | GFS1030, GFS2030   |                 |             |

## carriages

## handles



1

|                    |  |                 |             |
|--------------------|--|-----------------|-------------|
| <b>Part No.</b>    | 697440                                       | <b>Ref. No.</b> | 00000000432 |
| <b>description</b> | handle thread M10 handle ø 66mm H 51mm black |                 |             |
| <b>For models:</b> | GFS1022                                      |                 |             |

## accessories



1

|                    |                                       |                 |             |
|--------------------|---------------------------------------|-----------------|-------------|
| <b>Part No.</b>    | 696516                                | <b>Ref. No.</b> | 00000000186 |
| <b>description</b> | bracket for carriage L 56mm aluminium |                 |             |
| <b>For models:</b> | GFS2019, GFS2022                      |                 |             |



1

|                    |   |                 |             |
|--------------------|---|-----------------|-------------|
| <b>Part No.</b>    | 698631  | <b>Ref. No.</b> | 00000000895 |
| <b>description</b> | spindle for carriage thread M6 L 170mm ø 12mm |                 |             |
| <b>For models:</b> | GFS2025                                       |                 |             |



1

|                    |   |                 |             |
|--------------------|---|-----------------|-------------|
| <b>Part No.</b>    | 697827  | <b>Ref. No.</b> | 00000000678 |
| <b>description</b> | spindle for slicer thread M10 L 95mm thread L 12/15mm total length 122mm ø 16mm stainless steel |                 |             |
| <b>For models:</b> | GFS1030   |                 |             |

## miscellaneous



1

|                    |  |                 |             |
|--------------------|--|-----------------|-------------|
| <b>Part No.</b>    | 697356   | <b>Ref. No.</b> | 00000000300 |
| <b>description</b> | bracket thread M10x0.75 ø 30mm for microswitch ID ø 14.5mm thickness 13mm mounting thread M5 |                 |             |
| <b>For models:</b> | GFS1025  |                 |             |



1

|                    |   |                 |             |
|--------------------|---|-----------------|-------------|
| <b>Part No.</b>    | 697476                                      | <b>Ref. No.</b> | 00000000509 |
| <b>description</b> | bush ø 14mm L 88mm ID ø 12mm                |                 |             |
| <b>For models:</b> | GFS1025, GFS2019, GFS2022, GFS2025, GFS2030 |                 |             |



1

|                    |                                       |                 |             |
|--------------------|---------------------------------------|-----------------|-------------|
| <b>Part No.</b>    | 698388                                | <b>Ref. No.</b> | 00000000765 |
| <b>description</b> | mounting flange ø 18mm L 128mm W 28mm |                 |             |
| <b>For models:</b> | GFS1030                               |                 |             |



1

|                    |  |                 |             |
|--------------------|--|-----------------|-------------|
| <b>Part No.</b>    | 698392   | <b>Ref. No.</b> | 00000000828 |
| <b>description</b> | thread bolt thread M6 ø 6mm L 35mm for slicer        |                 |             |
| <b>For models:</b> | GFS1025, GFS1030, GFS2019, GFS2022, GFS2025, GFS2030 |                 |             |



1

|                    |  |                 |             |
|--------------------|--|-----------------|-------------|
| <b>Part No.</b>    | 698628                                     | <b>Ref. No.</b> | 00000000774 |
| <b>description</b> | threaded shaft thread M6 L 37mm for slicer |                 |             |
| <b>For models:</b> | GFS1030                                    |                 |             |

## for hand blenders

## housings




1

|                    |   |                 |       |
|--------------------|---|-----------------|-------|
| <b>Part No.</b>    | 699708                                      | <b>Ref. No.</b> | 2840M |
| <b>description</b> | cover for handle blue GSM1000 L 80mm W 42mm |                 |       |
| <b>For models:</b> | GSM1000                                     |                 |       |





1

|                    |                                      |                 |      |
|--------------------|--------------------------------------|-----------------|------|
| <b>Part No.</b>    | 696503                               | <b>Ref. No.</b> | 2851 |
| <b>description</b> | handle for hand blender plastic grey |                 |      |
| <b>For models:</b> | GSM1000                              |                 |      |




1

|   |                           |                 |                            |
|---|---------------------------|-----------------|----------------------------|
| <b>Part No.</b>   | 699134                    | <b>Ref. No.</b> | 2849M                      |
| <b>description</b>  | housing left blue GSM1000 |                 |                            |
| <b>For models:</b>  | GSM1000                   |                 |                            |
| <b>accessories for</b>  | 699134                    |                 |                            |
|   | <b>Part No.</b>           | <b>Ref. No.</b> |                            |
|  | 699133                    | 2843M           | housing right blue GSM1000 |




1

|   |                            |                 |                           |
|---|----------------------------|-----------------|---------------------------|
| <b>Part No.</b>   | 699133                     | <b>Ref. No.</b> | 2843M                     |
| <b>description</b>  | housing right blue GSM1000 |                 |                           |
| <b>For models:</b>  | GSM1000                    |                 |                           |
| <b>accessories for</b>  | 699133                     |                 |                           |
|   | <b>Part No.</b>            | <b>Ref. No.</b> |                           |
|  | 699134                     | 2849M           | housing left blue GSM1000 |



1


|                    |   |                 |       |
|--------------------|---|-----------------|-------|
| <b>Part No.</b>    | 698386  | <b>Ref. No.</b> | 2848M |
| <b>description</b> | sticker for hand blender silver L 125mm W 25mm thickness 1mm ON-OFF |                 |       |
| <b>For models:</b> | GSM1000   |                 |       |



1


|                    |                                      |                 |       |
|--------------------|--------------------------------------|-----------------|-------|
| <b>Part No.</b>    | 698387                               | <b>Ref. No.</b> | 2853M |
| <b>description</b> | sticker for lid silver L 50mm W 27mm |                 |       |
| <b>For models:</b> | GSM1000                              |                 |       |

couplings



1

|                    |   |                 |      |
|--------------------|---|-----------------|------|
| <b>Part No.</b>    | 696504  | <b>Ref. No.</b> | 2846 |
| <b>description</b> | coupling for hand blender D1 ø 19mm int. ø 1 6.3mm L 29.5mm teeth 8 GSM1000 |                 |      |
| <b>For models:</b> | GSM1000   |                 |      |




1

|                    |  |                 |      |
|--------------------|--|-----------------|------|
| <b>Part No.</b>    | 696505   | <b>Ref. No.</b> | 2860 |
| <b>description</b> | coupling with roll pin for hand blender D1 ø 19mm int. ø 1 8mm teeth 8 GSM1000 |                 |      |
| <b>For models:</b> | GSM1000  |                 |      |

blender sticks

blades

blades with adaptor (complete)





1


|                    |                                |                 |      |
|--------------------|--------------------------------|-----------------|------|
| <b>Part No.</b>    | 698262                         | <b>Ref. No.</b> | 0551 |
| <b>description</b> | knife ø 39mm hole ø 4mm H 12mm |                 |      |
| <b>For models:</b> | GSM1000                        |                 |      |






|   |                                |                 |      |
|---|--------------------------------|-----------------|------|
|  |                                |                 |      |
| 1   |                                |                 |      |
| <b>Part No.</b>   | 698261                         | <b>Ref. No.</b> | 0550 |
| <b>description</b>  | knife ø 39mm hole ø 4mm H 18mm |                 |      |
| <b>For models:</b>  | GSM1000                        |                 |      |



|   |  |                 |      |
|---|--|-----------------|------|
|  |  |                 |      |
| 1   |  |                 |      |
| <b>Part No.</b>   | 698381                                       | <b>Ref. No.</b> | 0552 |
| <b>description</b>  | mixer disc ø 36mm hole ø 4mm H 0.8mm GSM1000 |                 |      |
| <b>For models:</b>  | GSM1000                                      |                 |      |

|   |  |                 |      |
|---|--|-----------------|------|
|  |  |                 |      |
| 1   |  |                 |      |
| <b>Part No.</b>   | 698382                                       | <b>Ref. No.</b> | 0553 |
| <b>description</b>  | mixer disc ø 36mm hole ø 4mm H 3.4mm GSM1000 |                 |      |
| <b>For models:</b>  | GSM1000                                      |                 |      |

## blender sticks

|   |   |                 |       |
|---|---|-----------------|-------|
|  |   |                 |       |
| 1   |   |                 |       |
| <b>Part No.</b>   | 698379                                      | <b>Ref. No.</b> | 2845M |
| <b>description</b>  | blender stick GSM1000 L 234mm flange ø 66mm |                 |       |
| <b>For models:</b>  | GSM1000                                     |                 |       |


## spindles


|   |  |                 |                      |
|---|--|-----------------|----------------------|
|  |  |                 |                      |
| 1   |  |                 |                      |
| <b>Part No.</b>   | 698380   | <b>Ref. No.</b> | 2844M                |
| <b>description</b>  | drive shaft for hand blender with coupling D1 ø 4mm D2 ø 8mm L 214mm SS        |                 |                      |
| <b>For models:</b>  | GSM1000  |                 |                      |
| <b>spare parts for</b>  | 698380   |                 |                      |
|  | <b>Part No.</b>  | 696505          | <b>Ref. No.</b> 2860 |
|   | coupling with roll pin for hand blender D1 ø 19mm int. ø 1 8mm teeth 8 GSM1000 |                 |                      |


## miscellaneous


|  |   |                 |      |
|--|---|-----------------|------|
|  |   |                 |      |
| 1  |   |                 |      |
| <b>Part No.</b>  | 698385  | <b>Ref. No.</b> | 2841 |
| <b>description</b>   | bracket for grab handle L 40mm W 37mm thickness 1.5mm |                 |      |
| <b>For models:</b>   | GSM1000   |                 |      |

|  |                                 |                 |      |
|--|---------------------------------|-----------------|------|
|  |                                 |                 |      |
| 1  |                                 |                 |      |
| <b>Part No.</b>  | 696507                          | <b>Ref. No.</b> | 2854 |
| <b>description</b>   | bracket for motor plastic black |                 |      |
| <b>For models:</b>   | GSM1000                         |                 |      |

|   |                                     |                 |      |
|---|-------------------------------------|-----------------|------|
|  |                                     |                 |      |
| 1   |                                     |                 |      |
| <b>Part No.</b>   | 696506                              | <b>Ref. No.</b> | 2858 |
| <b>description</b>  | knob for PCB ø 26mm black Qty 1 pcs |                 |      |
| <b>For models:</b>  | GSM1000                             |                 |      |

|   |  |                 |      |
|---|--|-----------------|------|
|  |  |                 |      |
| 1   |  |                 |      |
| <b>Part No.</b>   | 532648   | <b>Ref. No.</b> | 2859 |
| <b>description</b>  | O-ring EPDM thickness 1.5mm ID ø 5mm Qty 1 pcs |                 |      |
| <b>For models:</b>  | GSM1000  |                 |      |

|   |  |                 |       |
|---|--|-----------------|-------|
|  |  |                 |       |
| 1   |  |                 |       |
| <b>Part No.</b>   | 698384                                       | <b>Ref. No.</b> | 45710 |
| <b>description</b>  | protection cap for grab handle plastic black |                 |       |
| <b>For models:</b>  | GSM1000                                      |                 |       |

|   |   |                 |      |
|---|---|-----------------|------|
|  |   |                 |      |
| 1   |   |                 |      |
| <b>Part No.</b>   | 698383  | <b>Ref. No.</b> | 0632 |
| <b>description</b>  | shaft sealing ID ø 4mm ED ø 12mm for hand blender H 6.3mm |                 |      |
| <b>For models:</b>  | GSM1000   |                 |      |



for citrus juicers

spillage trays



|                    |  |                 |        |
|--------------------|--|-----------------|--------|
| 1                  |  |                 |        |
| <b>Part No.</b>    | 696502   | <b>Ref. No.</b> | 900963 |
| <b>description</b> | drain tray for citrus juicers ø 175mm hole ø 42mm H 110mm SS |                 |        |
| <b>For models:</b> | GJU1001  |                 |        |

gaskets



|                    |   |                 |        |
|--------------------|---|-----------------|--------|
| 1                  |   |                 |        |
| <b>Part No.</b>    | 532647  | <b>Ref. No.</b> | 900970 |
| <b>description</b> | O-ring EPDM thickness 1.8mm ID ø 11.8mm Qty 1 pcs |                 |        |
| <b>For models:</b> | GJU1001   |                 |        |



|                    |                             |                 |        |
|--------------------|-----------------------------|-----------------|--------|
| 1                  |                             |                 |        |
| <b>Part No.</b>    | 511953                      | <b>Ref. No.</b> | 900871 |
| <b>description</b> | seal kit for citrus juicers |                 |        |
| <b>For models:</b> | GJU1001                     |                 |        |

motors



|                    |   |                 |        |
|--------------------|---|-----------------|--------|
| 1                  |   |                 |        |
| <b>Part No.</b>    | 501426  | <b>Ref. No.</b> | 900956 |
| <b>description</b> | motor for citrus juicers 180W 230-240V 50Hz shaft ø 8mm shaft length 40mm type RCJ298252 0.18kW |                 |        |
| <b>For models:</b> | GJU1001   |                 |        |

juicer insert



|                    |  |                 |        |
|--------------------|--|-----------------|--------|
| 1                  |  |                 |        |
| <b>Part No.</b>    | 650168   | <b>Ref. No.</b> | 900901 |
| <b>description</b> | filter for citrus juicers ø 155mm H 23mm plastic |                 |        |
| <b>For models:</b> | GJU1001  |                 |        |



|                    |  |                 |        |
|--------------------|--|-----------------|--------|
| 1                  |  |                 |        |
| <b>Part No.</b>    | 650167   | <b>Ref. No.</b> | 221266 |
| <b>description</b> | juicer insert set for citrus juicers ø 57/62/79mm H 45/50/55mm plastic |                 |        |
| <b>For models:</b> | GJU1001  |                 |        |

spindles



|                    |   |                 |        |
|--------------------|---|-----------------|--------|
| 1                  |   |                 |        |
| <b>Part No.</b>    | 650170  | <b>Ref. No.</b> | 900895 |
| <b>description</b> | spindle L 48mm square thread M8x1.25 for citrus juicers WS 12 |                 |        |
| <b>For models:</b> | GJU1001   |                 |        |

miscellaneous



|                    |   |                 |        |
|--------------------|---|-----------------|--------|
| 1                  |   |                 |        |
| <b>Part No.</b>    | 650171                                    | <b>Ref. No.</b> | 900925 |
| <b>description</b> | cover for spindle ø 44mm H 18mm aluminium |                 |        |
| <b>For models:</b> | GJU1001                                   |                 |        |



|                    |  |                 |        |
|--------------------|--|-----------------|--------|
| 1                  |  |                 |        |
| <b>Part No.</b>    | 650169   | <b>Ref. No.</b> | 221242 |
| <b>description</b> | drip tray for citrus juicers ø 79mm H 20mm plastic black |                 |        |
| <b>For models:</b> | GJU1001  |                 |        |

for fridges

drain systems

drain valves




|                        |   |                 |          |
|------------------------|---|-----------------|----------|
| 1                      |   |                 |          |
| <b>Part No.</b>        | 699499  | <b>Ref. No.</b> | W0409858 |
| <b>description</b>     | drain fitting connection A L 47mm hose ø 15mm for GFR2700/GRE2700 plastic |                 |          |
| <b>For models:</b>     | GFR2700, GRE2700  |                 |          |
| <b>accessories for</b> | 699499  |                 |          |



|  |                    |   |                 |          |
|--|--------------------|---|-----------------|----------|
|  | <b>Part No.</b>    | 699567  | <b>Ref. No.</b> | W0409859 |
|  | <b>description</b> | drain fitting connection B L 20mm for GFR2700/GRE2700 plastic |                 |          |



1

|   |   |                 |                 |
|---|---|-----------------|-----------------|
| <b>Part No.</b>   | 699567  | <b>Ref. No.</b> | W0409859        |
| <b>description</b>  | drain fitting connection B L 20mm for GFR2700/GRE2700 plastic             |                 |                 |
| <b>For models:</b>  | GFR2700, GRE2700  |                 |                 |
| <b>accessories for</b>  | 699567  |                 |                 |
|  | <b>Part No.</b>   | 699499          | <b>Ref. No.</b> |
|   |   |                 | W0409858        |
|   | drain fitting connection A L 47mm hose ø 15mm for GFR2700/GRE2700 plastic |                 |                 |

## drain pans



1

|                    |  |                 |          |
|--------------------|--|-----------------|----------|
| <b>Part No.</b>    | 530916   | <b>Ref. No.</b> | 80012001 |
| <b>description</b> | drain pan L 520mm W 233mm H 30mm for GFR2700/GRE2700 hole ø 24mm |                 |          |
| <b>For models:</b> | GFR2700, GRE2700   |                 |          |

## control parts



1

|                    |                                     |                 |            |
|--------------------|-------------------------------------|-----------------|------------|
| <b>Part No.</b>    | 698848                              | <b>Ref. No.</b> | GPC1088-03 |
| <b>description</b> | lamp with thermostat ø 140mm H 35mm |                 |            |
| <b>For models:</b> | GPC1088                             |                 |            |

## spare parts and accessories



1

|                    |   |                 |          |
|--------------------|---|-----------------|----------|
| <b>Part No.</b>    | 699568  | <b>Ref. No.</b> | W0604038 |
| <b>description</b> | base plate for door hinge mounting pos. lower L 35mm W 25mm for GFR2700/GRE2700 |                 |          |
| <b>For models:</b> | GFR2700, GRE2700  |                 |          |



1

|                    |   |                 |          |
|--------------------|---|-----------------|----------|
| <b>Part No.</b>    | 699569  | <b>Ref. No.</b> | W0604030 |
| <b>description</b> | base plate for door hinge mounting pos. right L 74mm W 42mm for GFR2700/GRE2700 |                 |          |
| <b>For models:</b> | GFR2700, GRE2700  |                 |          |




1


|                    |   |                 |          |
|--------------------|---|-----------------|----------|
| <b>Part No.</b>    | 694967  | <b>Ref. No.</b> | SLCX0002 |
| <b>description</b> | cover L 51mm W 44mm H 12mm plastic mounting distance 30mm |                 |          |
| <b>For models:</b> | GSC2336   |                 |          |




1

|                    |   |                 |           |
|--------------------|---|-----------------|-----------|
| <b>Part No.</b>    | 692867  | <b>Ref. No.</b> | W04102051 |
| <b>description</b> | cover ø 20mm L 400mm W 43mm plastic Qty 1 pcs for GFR2700/GRE2700 |                 |           |
| <b>For models:</b> | GFR2700, GRE2700  |                 |           |




|   |   |        |                 |
|---|---|--------|-----------------|
| <b>accessories for</b>  | 692867  |        |                 |
|  | <b>Part No.</b>                                     | 692870 | <b>Ref. No.</b> |
|   |   |        | W0413062        |
|   | rubber pad L 40mm W 17mm H 30mm for GFR2700/GRE2700 |        |                 |


|   |   |        |                 |
|---|---|--------|-----------------|
|  | <b>Part No.</b>   | 696789 | <b>Ref. No.</b> |
|   |   |        | W0210413        |
|   | copper pipe with insulation pipe ø 6 for fridge GFR2700/GRE2700 |        |                 |







|  |  |                 |                          |
|--|--|-----------------|--------------------------|
|  <p>1</p> |  |                 |                          |
| <b>Part No.</b>  | 698849                                 | <b>Ref. No.</b> | GPC1046-03<br>GPC1088-04 |
| <b>description</b>   | cover cap L 96mm W 44mm H 13mm plastic |                 |                          |
| <b>For models:</b>   | GPC1046, GPC1088                       |                 |                          |



|  |  |                 |          |
|--|--|-----------------|----------|
|  <p>1</p> |  |                 |          |
| <b>Part No.</b>  | 698878   | <b>Ref. No.</b> | WJQZ9001 |
| <b>description</b>   | guide counterweight for sliding door L 248mm W 20mm H 10mm |                 |          |
| <b>For models:</b>   | GBC1102, GBC1103   |                 |          |


|   |   |                 |                           |
|---|---|-----------------|---------------------------|
|  <p>1</p> |   |                 |                           |
| <b>Part No.</b>   | 692870  | <b>Ref. No.</b> | W0413062                  |
| <b>description</b>  | rubber pad L 40mm W 17mm H 30mm for GFR2700/GRE2700               |                 |                           |
| <b>For models:</b>  | GFR2700, GRE2700  |                 |                           |
| <b>accessories for</b>  | 692870  |                 |                           |
|          | <b>Part No.</b>   | 692867          | <b>Ref. No.</b> W04102051 |
|   | cover ø 20mm L 400mm W 43mm plastic Qty 1 pcs for GFR2700/GRE2700 |                 |                           |
|          | <b>Part No.</b>   | 696789          | <b>Ref. No.</b> W0210413  |
|   | copper pipe with insulation pipe ø 6 for fridge GFR2700/GRE2700   |                 |                           |

|  |                                      |                 |          |
|--|--------------------------------------|-----------------|----------|
|  <p>1</p> |                                      |                 |          |
| <b>Part No.</b>  | 699232                               | <b>Ref. No.</b> | I0535012 |
| <b>description</b>   | strain relief L 56mm W 14.5mm H 20mm |                 |          |
| <b>For models:</b>   | GFR3600S                             |                 |          |




| housing and bezels  |  |                 |                                      |
|---|--|-----------------|--------------------------------------|
| covers  |  |                 |                                      |
|  <p>1</p> |  |                 |                                      |
| <b>Part No.</b>   | 699586   | <b>Ref. No.</b> | 80010941<br>80011041                 |
| <b>description</b>  | bracket for air baffle L 800mm W 38mm H 20mm for GFR2700/GRE2700 3 holes |                 |                                      |
| <b>For models:</b>  | GFR2700, GRE2700   |                 |                                      |
| <b>accessories for</b>  | 699586   |                 |                                      |
|            | <b>Part No.</b>  | 699573          | <b>Ref. No.</b> 80010942<br>80011042 |
|   | deflector rear L 1030mm W 363mm H 20mm for GFR2700/GRE2700               |                 |                                      |


|   |  |                 |                          |
|---|--|-----------------|--------------------------|
|  <p>1</p> |  |                 |                          |
| <b>Part No.</b>   | 699576   | <b>Ref. No.</b> | 81131203                 |
| <b>description</b>  | cover for drain pan L 598mm W 218mm H 42mm for GFR2700/GRE2700                       |                 |                          |
| <b>For models:</b>  | GFR2700, GRE2700   |                 |                          |
| <b>accessories for</b>  | 699576   |                 |                          |
|            | <b>Part No.</b>  | 696783          | <b>Ref. No.</b> W0803011 |
|   | insulation Styropor for drain pan L 515mm W 213mm H 18mm Qty pcs for GFR2700/GRE2700 |                 |                          |


|   |   |                 |                                      |
|---|---|-----------------|--------------------------------------|
|  <p>1</p> |   |                 |                                      |
| <b>Part No.</b>   | 692879  | <b>Ref. No.</b> | W0409863                             |
| <b>description</b>  | cover for lamp L 185mm W 55mm H 40mm for GFR2700/GRE2700        |                 |                                      |
| <b>For models:</b>  | GFR2700, GRE2700  |                 |                                      |
| <b>accessories for</b>  | 692879  |                 |                                      |
|            | <b>Part No.</b>   | 357260          | <b>Ref. No.</b> W0304086<br>W0304511 |
|   | LED bar L 130mm W 14mm H 8mm cable length 300mm GFR2700/GRE2700 |                 |                                      |

|   |  |                 |          |
|---|--|-----------------|----------|
|  <p>1</p> |  |                 |          |
| <b>Part No.</b>   | 998252   | <b>Ref. No.</b> | 44037000 |
| <b>description</b>  | cover for ventilation L 72mm W 62mm H 10mm Qty 1 pcs |                 |          |
| <b>For models:</b>  | GFR3600S, GRE3600, GRE3600S                          |                 |          |






|   |   |                 |                          |
|---|---|-----------------|--------------------------|
|  |   |                 |                          |
| 1   |   |                 |                          |
| <b>Part No.</b>   | 699574  | <b>Ref. No.</b> | 81131204                 |
| <b>description</b>  | cover front for evaporator L 598mm W 295mm H 65mm for GFR2700/GRE2700 |                 |                          |
| <b>For models:</b>  | GFR2700, GRE2700  |                 |                          |
| <b>accessories for</b>  | 699574  |                 |                          |
|  | <b>Part No.</b>   | 699577          | <b>Ref. No.</b> 80021203 |
|   | cover left for evaporator L 255mm W 155mm H 15mm for GFR2700/GRE2700  |                 |                          |
|  | <b>Part No.</b>   | 699578          | <b>Ref. No.</b> 80021204 |
|   | cover right for evaporator L 255mm W 155mm H 15mm for GFR2700/GRE2700 |                 |                          |




|  |   |                 |          |
|--|---|-----------------|----------|
| <b>control panel</b>   |   |                 |          |
|  |   |                 |          |
| 1  |   |                 |          |
| <b>Part No.</b>  | 699234  | <b>Ref. No.</b> | 44027000 |
| <b>description</b>   | bezel L 780mm W 67mm H 62mm mounting pos. upper |                 |          |
| <b>For models:</b>   | GRE3600   |                 |          |



|  |                                 |                 |                          |
|--|---------------------------------|-----------------|--------------------------|
| <b>lids</b>  |                                 |                 |                          |
|  |                                 |                 |                          |
| 1  |                                 |                 |                          |
| <b>Part No.</b>  | 698864                          | <b>Ref. No.</b> | GPC1046-05<br>GPC1088-06 |
| <b>description</b>   | cover black L 50mm W 42mm H 7mm |                 |                          |
| <b>For models:</b>   | GPC1046, GPC1088                |                 |                          |

|   |   |                 |                      |
|---|---|-----------------|----------------------|
| <b> housings</b>  |   |                 |                      |
|  |   |                 |                      |
| 1   |   |                 |                      |
| <b>Part No.</b>   | 699575  | <b>Ref. No.</b> | 81131401<br>81131403 |
| <b>description</b>  | front panel front-upper for fridge L 730mm W 300mm H 62mm for GFR2700/GRE2700 |                 |                      |
| <b>For models:</b>  | GFR2700, GRE2700  |                 |                      |

|  |                                       |                 |          |
|--|---------------------------------------|-----------------|----------|
|  |                                       |                 |          |
| 1  |                                       |                 |          |
| <b>Part No.</b>  | 699233                                | <b>Ref. No.</b> | I9500323 |
| <b>description</b>   | terminal box L 98mm W 74mm H 35mm kit |                 |          |
| <b>For models:</b>   | GFR3600S, GRE3600, GRE3600S           |                 |          |

|   |   |                 |                          |
|---|---|-----------------|--------------------------|
|    |   |                 |                          |
| 1   |   |                 |                          |
| <b>Part No.</b>   | 699577  | <b>Ref. No.</b> | 80021203                 |
| <b>description</b>  | cover left for evaporator L 255mm W 155mm H 15mm for GFR2700/GRE2700  |                 |                          |
| <b>For models:</b>  | GFR2700, GRE2700  |                 |                          |
| <b>accessories for</b>  | 699577  |                 |                          |
|    | <b>Part No.</b>   | 699574          | <b>Ref. No.</b> 81131204 |
|   | cover front for evaporator L 598mm W 295mm H 65mm for GFR2700/GRE2700 |                 |                          |
|  | <b>Part No.</b>   | 699578          | <b>Ref. No.</b> 80021204 |
|   | cover right for evaporator L 255mm W 155mm H 15mm for GFR2700/GRE2700 |                 |                          |


|   |   |                 |                          |
|---|---|-----------------|--------------------------|
|  |   |                 |                          |
| 1   |   |                 |                          |
| <b>Part No.</b>   | 699578  | <b>Ref. No.</b> | 80021204                 |
| <b>description</b>  | cover right for evaporator L 255mm W 155mm H 15mm for GFR2700/GRE2700 |                 |                          |
| <b>For models:</b>  | GFR2700, GRE2700  |                 |                          |
| <b>accessories for</b>  | 699578  |                 |                          |
|  | <b>Part No.</b>   | 699574          | <b>Ref. No.</b> 81131204 |
|   | cover front for evaporator L 598mm W 295mm H 65mm for GFR2700/GRE2700 |                 |                          |
|  | <b>Part No.</b>   | 699577          | <b>Ref. No.</b> 80021203 |
|   | cover left for evaporator L 255mm W 155mm H 15mm for GFR2700/GRE2700  |                 |                          |

|   |  |                 |                                      |
|---|--|-----------------|--------------------------------------|
|  |  |                 |                                      |
| 1   |  |                 |                                      |
| <b>Part No.</b>   | 699573   | <b>Ref. No.</b> | 80010942<br>80011042                 |
| <b>description</b>  | deflector rear L 1030mm W 363mm H 20mm for GFR2700/GRE2700               |                 |                                      |
| <b>For models:</b>  | GFR2700, GRE2700   |                 |                                      |
| <b>accessories for</b>  | 699573   |                 |                                      |
|  | <b>Part No.</b>  | 699586          | <b>Ref. No.</b> 80010941<br>80011041 |
|   | bracket for air baffle L 800mm W 38mm H 20mm for GFR2700/GRE2700 3 holes |                 |                                      |







equipment feet

|  |  |                 |            |
|--|--|-----------------|------------|
|  <p>1</p> |  |                 |            |
| <b>Part No.</b>  | 698865                                 | <b>Ref. No.</b> | GPC1088-12 |
| <b>description</b>   | equipment foot M8 thread L 15mm ø 29mm |                 |            |
| <b>For models:</b>   | GPC1088                                |                 |            |



handles



|  |  |                 |          |
|--|--|-----------------|----------|
|  <p>1</p> |  |                 |          |
| <b>Part No.</b>  | 692390   | <b>Ref. No.</b> | LCCG0005 |
| <b>description</b>   | handle rod for door L 380mm W 40mm aluminium Qty 1 pcs |                 |          |
| <b>For models:</b>   | GSC1100G   |                 |          |

caps

|  |   |                 |         |
|--|---|-----------------|---------|
|  <p>1</p> |   |                 |         |
| <b>Part No.</b>  | 692372  | <b>Ref. No.</b> | S900.03 |
| <b>description</b>   | cap grey ø 16.5mm mounting ø 12.5mm H 7mm Qty 1 pcs |                 |         |
| <b>For models:</b>   | GHS1600, GHS2600                                    |                 |         |


frame

|  |  |                 |           |
|--|--|-----------------|-----------|
|  <p>1</p> |  |                 |           |
| <b>Part No.</b>  | 699583   | <b>Ref. No.</b> | W04102045 |
| <b>description</b>   | frame rail for door mounting pos. left/right L 1530mm W 19mm H 7.5mm plastic for GFR2700/GRE2700   |                 |           |
| <b>For models:</b>   | GFR2700, GRE2700   |                 |           |
| <b>accessories for</b>   | 699583   |                 |           |
|  | <b>Part No.</b>  | <b>Ref. No.</b> | W04102044 |
|  |  frame rail for door mounting pos. upper/lower L 650mm W 19mm H 7.5mm plastic for GFR2700/GRE2700 |                 |           |

|   |  |                 |           |
|---|--|-----------------|-----------|
|  <p>1</p> |  |                 |           |
| <b>Part No.</b>   | 699584   | <b>Ref. No.</b> | W04102044 |
| <b>description</b>  | frame rail for door mounting pos. upper/lower L 650mm W 19mm H 7.5mm plastic for GFR2700/GRE2700   |                 |           |
| <b>For models:</b>  | GFR2700, GRE2700   |                 |           |
| <b>accessories for</b>  | 699584   |                 |           |
|   | <b>Part No.</b>  | <b>Ref. No.</b> | W04102045 |
|   |  frame rail for door mounting pos. left/right L 1530mm W 19mm H 7.5mm plastic for GFR2700/GRE2700 |                 |           |

miscellaneous

|   |   |                 |          |
|---|---|-----------------|----------|
|  <p>1</p> |   |                 |          |
| <b>Part No.</b>   | 692392  | <b>Ref. No.</b> | SLSE4005 |
| <b>description</b>  | cover for lighting W 1170mm H 280mm thickness 1mm plastic Qty 1 pcs |                 |          |
| <b>For models:</b>  | GSC1100G  |                 |          |

|  |   |                 |          |
|--|---|-----------------|----------|
|  <p>1</p> |   |                 |          |
| <b>Part No.</b>  | 692391  | <b>Ref. No.</b> | SLZE0027 |
| <b>description</b>   | housing for bulb socket L 150mm W 40mm H 20mm plastic Qty 1 pcs |                 |          |
| <b>For models:</b>   | GSC1100G, GSC2336   |                 |          |

doors

|   |   |                 |          |
|---|---|-----------------|----------|
|  <p>1</p> |   |                 |          |
| <b>Part No.</b>   | 699571  | <b>Ref. No.</b> | 81130201 |
| <b>description</b>  | door right suitable for GFR2700/GRE2700 W 730mm H 1610mm thickness 45mm stainless steel   |                 |          |
| <b>For models:</b>  | GFR2700, GRE2700  |                 |          |
| <b>spare parts for</b>  | 699571  |                 |          |
|   | <b>Part No.</b>   | <b>Ref. No.</b> | W0604030 |
|   |  base plate for door hinge mounting pos. right L 74mm W 42mm for GFR2700/GRE2700 |                 |          |
|   | <b>Part No.</b>   | <b>Ref. No.</b> | W0409842 |
|   |  bush upper for door hinge ID ø 11mm ED ø 13mm L 29.5mm for GFR2700/GRE2700      |                 |          |
|   | <b>Part No.</b>   | <b>Ref. No.</b> | W0409843 |
|   |  bush lower for door hinge ID ø 11mm ED ø 13mm L 26mm for GFR2700/GRE2700        |                 |          |

Table continues overleaf



|  |          |        |          |          |
|--|----------|--------|----------|----------|
| spare parts for 699571                                       |          |        |          |          |
|  | Part No. | 902514 | Ref. No. | W0404514 |
| refrigeration gasket profile 9750 W 660mm L 1537mm plug size |          |        |          |          |



|                    |   |                 |          |
|--------------------|---|-----------------|----------|
| 1                  |   |                 |          |
| <b>Part No.</b>    | 699381                                  | <b>Ref. No.</b> | BLGM4010 |
| <b>description</b> | glass door left W 600mm H 1330mm D 40mm |                 |          |
| <b>For models:</b> | GSC1100G                                |                 |          |

|   |          |        |          |          |
|---|----------|--------|----------|----------|
| spare parts for 699381                                      |          |        |          |          |
|   | Part No. | 901662 | Ref. No. | SLJP4007 |
| door seal profile 9156 W 569mm L 1295mm plug size Qty 1 pcs |          |        |          |          |



|                    |  |                 |          |
|--------------------|--|-----------------|----------|
| 1                  |  |                 |          |
| <b>Part No.</b>    | 699382                                   | <b>Ref. No.</b> | BLGM4011 |
| <b>description</b> | glass door right W 600mm H 1330mm D 40mm |                 |          |
| <b>For models:</b> | GSC1100G                                 |                 |          |

|   |          |        |          |          |
|---|----------|--------|----------|----------|
| spare parts for 699382                                      |          |        |          |          |
|   | Part No. | 901662 | Ref. No. | SLJP4007 |
| door seal profile 9156 W 569mm L 1295mm plug size Qty 1 pcs |          |        |          |          |

## miscellaneous



|                    |  |                 |                      |
|--------------------|--|-----------------|----------------------|
| 1                  |  |                 |                      |
| <b>Part No.</b>    | 692869   | <b>Ref. No.</b> | 81131801<br>W0409081 |
| <b>description</b> | cover for drain pipe L 145mm W 49mm H 44mm plastic for GFR2700 |                 |                      |
| <b>For models:</b> | GFR2700, GRE2700   |                 |                      |



|                    |  |                 |          |
|--------------------|--|-----------------|----------|
| 1                  |  |                 |          |
| <b>Part No.</b>    | 698888   | <b>Ref. No.</b> | SLZV0019 |
| <b>description</b> | cover transparent for lamp L 810mm W 40mm H 30mm Qty 1 pcs |                 |          |
| <b>For models:</b> | GBC1003, GBC1003S, GBC1003SS, GBC1103                      |                 |          |




|                    |  |                 |          |
|--------------------|--|-----------------|----------|
| 1                  |  |                 |          |
| <b>Part No.</b>    | 692426   | <b>Ref. No.</b> | LCCJ2029 |
| <b>description</b> | guide for fridge L 1145mm W 26mm H 4.5mm Qty 1 pcs |                 |          |
| <b>For models:</b> | GSC1100G, GSC2336                                  |                 |          |



|                    |  |                 |          |
|--------------------|--|-----------------|----------|
| 1                  |  |                 |          |
| <b>Part No.</b>    | 696783   | <b>Ref. No.</b> | W0803011 |
| <b>description</b> | insulation Styropor for drain pan L 515mm W 213mm H 18mm Qty pcs for GFR2700/GRE2700 |                 |          |
| <b>For models:</b> | GFR2700, GRE2700   |                 |          |

|  |          |        |          |          |
|--|----------|--------|----------|----------|
| accessories for 696783   |          |        |          |          |
|  | Part No. | 699576 | Ref. No. | 81131203 |
| cover for drain pan L 598mm W 218mm H 42mm for GFR2700/GRE2700 |          |        |          |          |

1

|                    |   |                 |          |
|--------------------|---|-----------------|----------|
| <b>Part No.</b>    | 698877  | <b>Ref. No.</b> | LCKK0001 |
| <b>description</b> | shelf support L 26.5mm W 8.5mm H 40mm aluminium |                 |          |
| <b>For models:</b> | GSC1100G, GSC2336                               |                 |          |


for display coolers

control parts



1

|                    |   |                 |              |
|--------------------|---|-----------------|--------------|
| <b>Part No.</b>    | 692700  | <b>Ref. No.</b> | 1.1.C.C12.07 |
| <b>description</b> | door handle L 100mm W 32mm hole distance 68mm black Qty 1 pcs |                 |              |
| <b>For models:</b> | GGC2270B  |                 |              |




1

|                    |   |                 |              |
|--------------------|---|-----------------|--------------|
| <b>Part No.</b>    | 692409  | <b>Ref. No.</b> | 1.1.C.C12.06 |
| <b>description</b> | door handle L 100mm W 32mm hole distance 68mm white |                 |              |
| <b>For models:</b> | GGC2270   |                 |              |



1


|                    |  |                 |              |
|--------------------|--|-----------------|--------------|
| <b>Part No.</b>    | 692402   | <b>Ref. No.</b> | 1.1.C.C12.14 |
| <b>description</b> | handle grey for vitrine H 9.5mm L 85mm W 25mm mounting distance 70mm Qty 1 pcs |                 |              |
| <b>For models:</b> | GGC1078  |                 |              |



1

|                    |   |                 |              |
|--------------------|---|-----------------|--------------|
| <b>Part No.</b>    | 692401  | <b>Ref. No.</b> | 1.1.C.C23.01 |
| <b>description</b> | knob ø 27mm grey zero mark shaft ø 6x4.6mm shaft flat left for thermostat to clip Qty 1 |                 |              |
| <b>For models:</b> | GGC1078, GGC1078B   |                 |              |

spare parts and accessories




1

|                    |   |                 |              |
|--------------------|---|-----------------|--------------|
| <b>Part No.</b>    | 699422  | <b>Ref. No.</b> | 1.1.C.C63.61 |
| <b>description</b> | clip for dryer L 90mm W 20mm H 52mm plastic Qty 1 pcs |                 |              |
| <b>For models:</b> | GCV1600   |                 |              |


housing and bezels

fascias



1

|                    |   |                 |              |
|--------------------|---|-----------------|--------------|
| <b>Part No.</b>    | 692411  | <b>Ref. No.</b> | 1.1.C.C40.02 |
| <b>description</b> | base plate for evaporator L 305mm W 241mm thickness 1.5mm plastic Qty 1 pcs |                 |              |
| <b>For models:</b> | GGC2270, GGC2270B   |                 |              |



1


|                    |  |                 |              |
|--------------------|--|-----------------|--------------|
| <b>Part No.</b>    | 692405   | <b>Ref. No.</b> | 1.1.C.C22.08 |
| <b>description</b> | control panel for vitrine temperature MIN/MAX W 130mm D 23mm H 145mm plastic Qty 1 pcs |                 |              |
| <b>For models:</b> | GGC1078, GGC1078B  |                 |              |




1

|                    |  |                 |                 |
|--------------------|--|-----------------|-----------------|
| <b>Part No.</b>    | 699410   | <b>Ref. No.</b> | 1.1.C.C15.03.35 |
| <b>description</b> | front panel mounting pos. front W 518mm D 35mm H 440mm black |                 |                 |
| <b>For models:</b> | GGC2270B   |                 |                 |




|   |  |                 |                 |
|---|--|-----------------|-----------------|
|  |  |                 |                 |
| 1   |  |                 |                 |
| <b>Part No.</b>   | 699409   | <b>Ref. No.</b> | 1.1.C.C15.03.03 |
| <b>description</b>  | front panel mounting pos. front W 518mm D 35mm H 440mm white |                 |                 |
| <b>For models:</b>  | GGC2270  |                 |                 |

|   |  |                 |              |
|---|--|-----------------|--------------|
|  |  |                 |              |
| 1   |  |                 |              |
| <b>Part No.</b>   | 699401   | <b>Ref. No.</b> | S24AC21A0001 |
| <b>description</b>  | front panel mounting pos. front W 865mm D 15mm H 248mm |                 |              |
| <b>For models:</b>  | GDS2600, GPS2600, GSA2600, GSD2600, GSF2600            |                 |              |


|   |   |                 |                 |
|---|---|-----------------|-----------------|
|  |   |                 |                 |
| 1   |   |                 |                 |
| <b>Part No.</b>   | 698854  | <b>Ref. No.</b> | 1.1.C.C15.01.02 |
| <b>description</b>  | front panel mounting pos. in the front/at the back black W 427mm D 33mm H 190mm plastic Qty 1 pcs for vitrine |                 |                 |
| <b>For models:</b>  | GGC1078B  |                 |                 |

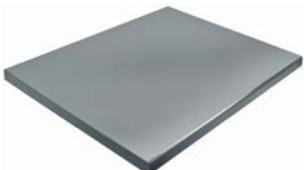
|   |  |                 |              |
|---|--|-----------------|--------------|
|  |  |                 |              |
| 1   |  |                 |              |
| <b>Part No.</b>   | 692417   | <b>Ref. No.</b> | 1.1.C.C21.01 |
| <b>description</b>  | housing for control W 130mm D 75mm H 145mm plastic Qty 1 pcs |                 |              |
| <b>For models:</b>  | GGC1078, GGC1078B  |                 |              |


|   |  |                 |              |
|---|--|-----------------|--------------|
|  |  |                 |              |
| 1   |  |                 |              |
| <b>Part No.</b>   | 699415                                 | <b>Ref. No.</b> | 1.1.C.C02.02 |
| <b>description</b>  | lamp cover W 310mm D 5mm H 172mm black |                 |              |
| <b>For models:</b>  | GGC1078, GGC1078B, GGC2270B            |                 |              |


|   |  |                 |              |
|---|--|-----------------|--------------|
|  |  |                 |              |
| 1   |  |                 |              |
| <b>Part No.</b>   | 699414                                 | <b>Ref. No.</b> | 1.1.C.C02.01 |
| <b>description</b>  | lamp cover W 310mm D 5mm H 172mm white |                 |              |
| <b>For models:</b>  | GGC2270                                |                 |              |

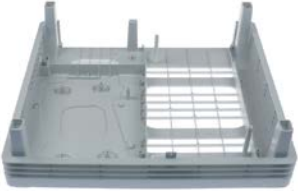
|  |   |                 |              |
|--|---|-----------------|--------------|
|  |   |                 |              |
| 1  |   |                 |              |
| <b>Part No.</b>  | 699407  | <b>Ref. No.</b> | S24AC20A0005 |
| <b>description</b>   | sheet mounting pos. upper for door W 890mm D 115mm H 10mm |                 |              |
| <b>For models:</b>   | GDS2600, GPS2600, GSA2600, GSD2600, GSF2600               |                 |              |

|  |  |                 |              |
|--|--|-----------------|--------------|
| <b>lids</b>  |  |                 |              |
|  |  |                 |              |
| 1  |  |                 |              |
| <b>Part No.</b>  | 699403   | <b>Ref. No.</b> | S24AC50A0003 |
| <b>description</b>   | top for display refrigerator W 910mm D 705mm H 125mm |                 |              |
| <b>For models:</b>   | GSD2600  |                 |              |

|  |   |                 |              |
|--|---|-----------------|--------------|
|  |   |                 |              |
| 1  |   |                 |              |
| <b>Part No.</b>  | 699404  | <b>Ref. No.</b> | S24AC30A0003 |
| <b>description</b>   | top for display refrigerator W 910mm D 705mm H 55mm |                 |              |
| <b>For models:</b>   | GDS2600, GSF2600                                    |                 |              |


|  |   |                 |                 |
|--|---|-----------------|-----------------|
| <b> housings</b>   |   |                 |                 |
|  |   |                 |                 |
| 1  |   |                 |                 |
| <b>Part No.</b>  | 698851  | <b>Ref. No.</b> | 1.1.C.C15.01.06 |
| <b>description</b>   | back panel for vitrine W 515mm D 45mm H 410mm black |                 |                 |
| <b>For models:</b>   | GGC2270B  |                 |                 |

|  |   |                 |                 |
|--|---|-----------------|-----------------|
|  |   |                 |                 |
| 1  |   |                 |                 |
| <b>Part No.</b>  | 692269  | <b>Ref. No.</b> | 1.1.C.C15.01.05 |
| <b>description</b>   | back panel for vitrine W 515mm D 45mm H 410mm white |                 |                 |
| <b>For models:</b>   | GGC2270   |                 |                 |


1

|                    |  |                 |              |
|--------------------|--|-----------------|--------------|
| <b>Part No.</b>    | 692416   | <b>Ref. No.</b> | 1.1.C.C25.15 |
| <b>description</b> | bottom for vitrine W 378mm H 115mm L 425mm Qty 1 pcs |                 |              |
| <b>For models:</b> | GGC1078  |                 |              |




1

|                        |   |                 |              |
|------------------------|---|-----------------|--------------|
| <b>Part No.</b>        | 692419  | <b>Ref. No.</b> | 1.1.C.C01.15 |
| <b>description</b>     | casing cover for display refrigerator W 425mm L 380mm plastic Qty 1 pcs white |                 |              |
| <b>For models:</b>     | GGC1078   |                 |              |
| <b>accessories for</b> | 692419  |                 |              |
|                        | <b>Part No.</b>   | <b>Ref. No.</b> | —            |
|                        | 692414  |                 |              |
|                        | lid L 313mm W 163mm for lighting Qty 1 pcs                                    |                 |              |



1

|                    |   |                 |              |
|--------------------|---|-----------------|--------------|
| <b>Part No.</b>    | 692437  | <b>Ref. No.</b> | 1.1.C.C22.07 |
| <b>description</b> | casing cover W 130mm D 70mm H 6mm plastic Qty 1 pcs |                 |              |
| <b>For models:</b> | GGC2270, GGC2270B                                   |                 |              |




1

|                    |   |                 |              |
|--------------------|---|-----------------|--------------|
| <b>Part No.</b>    | 692420  | <b>Ref. No.</b> | 1.1.B.B05.02 |
| <b>description</b> | cover for condenser W 365mm D 220mm H 130mm plate Qty 1 pcs |                 |              |
| <b>For models:</b> | GGC1078, GGC1078B   |                 |              |




1

|                    |   |                 |              |
|--------------------|---|-----------------|--------------|
| <b>Part No.</b>    | 692422  | <b>Ref. No.</b> | 1.1.C.C16.02 |
| <b>description</b> | cover for evaporator W 280mm D 345mm H 35mm plastic Qty 1 pcs |                 |              |
| <b>For models:</b> | GGC1078, GGC1078B   |                 |              |




1

|                    |  |                 |                 |
|--------------------|--|-----------------|-----------------|
| <b>Part No.</b>    | 692403   | <b>Ref. No.</b> | 1.1.C.C15.01.01 |
| <b>description</b> | front panel mounting pos. front for vitrine W 427mm D 33mm H 190mm plastic Qty 1 pcs white |                 |                 |
| <b>For models:</b> | GGC1078  |                 |                 |




1

|                    |   |                 |              |
|--------------------|---|-----------------|--------------|
| <b>Part No.</b>    | 698860  | <b>Ref. No.</b> | 1.1.C.C56.84 |
| <b>description</b> | guide mounting pos. front for side part W 23mm D 30mm H 635mm Qty 1 pcs |                 |              |
| <b>For models:</b> | GGC1078B  |                 |              |



1

|                    |  |                 |              |
|--------------------|--|-----------------|--------------|
| <b>Part No.</b>    | 698861   | <b>Ref. No.</b> | 1.1.C.C56.85 |
| <b>description</b> | guide mounting pos. rear for side part W 30mm D 30mm H 635mm Qty 1 pcs |                 |              |
| <b>For models:</b> | GGC1078B   |                 |              |



1

|                    |   |                 |              |
|--------------------|---|-----------------|--------------|
| <b>Part No.</b>    | 699175  | <b>Ref. No.</b> | P04AC21A0003 |
| <b>description</b> | housing for control part W 200mm D 115mm H 95mm |                 |              |
| <b>For models:</b> | GDS2600, GPS2600, GSA2600, GSD2600, GSF2600     |                 |              |



1

|                    |  |                 |              |
|--------------------|--|-----------------|--------------|
| <b>Part No.</b>    | 692415   | <b>Ref. No.</b> | 1.1.C.C18.04 |
| <b>description</b> | housing for evaporator W 370mm H 175mm L 420mm Qty 1 pcs |                 |              |
| <b>For models:</b> | GGC1078, GGC1078B  |                 |              |





1

|                    |   |                 |           |
|--------------------|---|-----------------|-----------|
| <b>Part No.</b>    | 699323                                    | <b>Ref. No.</b> | VRX1560.2 |
| <b>description</b> | housing for switch W 114mm D 68mm H 100mm |                 |           |
| <b>For models:</b> | GHS1600, GHS2600                          |                 |           |



1

|                    |   |                 |              |
|--------------------|---|-----------------|--------------|
| <b>Part No.</b>    | 692436  | <b>Ref. No.</b> | 1.1.C.C21.03 |
| <b>description</b> | housing W 128mm D 65mm H 38mm plastic Qty 1 pcs |                 |              |
| <b>For models:</b> | GGC2270, GGC2270B                               |                 |              |



1

|                    |  |                 |                                    |
|--------------------|--|-----------------|------------------------------------|
| <b>Part No.</b>    | 692270                                   | <b>Ref. No.</b> | 1.1.C.C15.03.08<br>1.1.C.C15.03.09 |
| <b>description</b> | side panel W 418mm H 410mm plastic white |                 |                                    |
| <b>For models:</b> | GGC2270                                  |                 |                                    |

## ventilation grilles



1

|                    |  |                 |              |
|--------------------|--|-----------------|--------------|
| <b>Part No.</b>    | 698855   | <b>Ref. No.</b> | 1.1.C.C14.02 |
| <b>description</b> | cover for fan W 425mm D 380mm H 36mm plastic Qty 1 pcs black |                 |              |
| <b>For models:</b> | GGC1078B   |                 |              |



1

|                    |  |                 |              |
|--------------------|--|-----------------|--------------|
| <b>Part No.</b>    | 699411   | <b>Ref. No.</b> | 1.1.C.C14.01 |
| <b>description</b> | cover for fan W 425mm D 380mm H 36mm plastic Qty 1 pcs white |                 |              |
| <b>For models:</b> | GGC1078  |                 |              |



1

|                    |  |                 |              |
|--------------------|--|-----------------|--------------|
| <b>Part No.</b>    | 698853   | <b>Ref. No.</b> | 1.1.C.C26.02 |
| <b>description</b> | grid mounting pos. lower for ventilation W 350mm D 12mm H 57mm plastic Qty 1 pcs black |                 |              |
| <b>For models:</b> | GGC1078B   |                 |              |



1

|                    |  |                 |              |
|--------------------|--|-----------------|--------------|
| <b>Part No.</b>    | 699417   | <b>Ref. No.</b> | 1.1.C.C26.01 |
| <b>description</b> | grid mounting pos. lower for ventilation W 350mm D 12mm H 57mm plastic Qty 1 pcs white |                 |              |
| <b>For models:</b> | GGC1078  |                 |              |



1

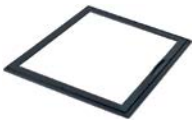
|                    |   |                 |              |
|--------------------|---|-----------------|--------------|
| <b>Part No.</b>    | 701253  | <b>Ref. No.</b> | 1.1.C.C49.09 |
| <b>description</b> | ventilation grille for air fan plastic black H 50mm L 620mm Qty 1 pcs |                 |              |
| <b>For models:</b> | GCV1600   |                 |              |




1

|                    |  |                 |              |
|--------------------|--|-----------------|--------------|
| <b>Part No.</b>    | 701254   | <b>Ref. No.</b> | 1.1.C.C49.10 |
| <b>description</b> | ventilation grille for aspiration plastic black H 50mm L 260mm Qty 1 pcs |                 |              |
| <b>For models:</b> | GCV1600  |                 |              |



| frame   |   |                 |              |
|---|---|-----------------|--------------|
|  |   |                 |              |
| 1   |   |                 |              |
| <b>Part No.</b>   | 699412                                  | <b>Ref. No.</b> | 1.1.C.C63.14 |
| <b>description</b>  | door frame inner W 378mm D 10mm H 385mm |                 |              |
| <b>For models:</b>  | GCV1600                                 |                 |              |


|   |   |                 |              |
|---|---|-----------------|--------------|
|  |   |                 |              |
| 1   |   |                 |              |
| <b>Part No.</b>   | 699413                                  | <b>Ref. No.</b> | 1.1.C.C63.13 |
| <b>description</b>  | door frame outer W 375mm D 10mm H 375mm |                 |              |
| <b>For models:</b>  | GCV1600                                 |                 |              |


| side parts  |  |                 |              |
|---|--|-----------------|--------------|
|  |  |                 |              |
| 1   |  |                 |              |
| <b>Part No.</b>   | 698862                                     | <b>Ref. No.</b> | 1.1.C.C38.19 |
| <b>description</b>  | side panel for door L 590mm thickness 17mm |                 |              |
| <b>For models:</b>  | GGC1078B                                   |                 |              |

|   |  |                 |                 |
|---|--|-----------------|-----------------|
|  |  |                 |                 |
| 1   |  |                 |                 |
| <b>Part No.</b>   | 698852   | <b>Ref. No.</b> | 1.1.C.C15.02.02 |
| <b>description</b>  | side panel mounting pos. left/right black W 316mm D 13.5mm H 190mm plastic Qty 1 pcs for vitrine |                 |                 |
| <b>For models:</b>  | GGC1078B   |                 |                 |


|   |  |                 |                 |
|---|--|-----------------|-----------------|
|  |  |                 |                 |
| 1   |  |                 |                 |
| <b>Part No.</b>   | 692404   | <b>Ref. No.</b> | 1.1.C.C15.02.01 |
| <b>description</b>  | side panel mounting pos. left/right white W 316mm D 13.5mm H 190mm plastic Qty 1 pcs for vitrine |                 |                 |
| <b>For models:</b>  | GGC1078  |                 |                 |


|   |  |                 |              |
|---|--|-----------------|--------------|
|  |  |                 |              |
| 1   |  |                 |              |
| <b>Part No.</b>   | 699444   | <b>Ref. No.</b> | 1.1.C.C56.06 |
| <b>description</b>  | side panel mounting pos. vertical W 40mm D 40mm H 1370mm black |                 |              |
| <b>For models:</b>  | GGC2270B   |                 |              |


|  |  |                 |              |
|--|--|-----------------|--------------|
|  |  |                 |              |
| 1  |  |                 |              |
| <b>Part No.</b>  | 699443   | <b>Ref. No.</b> | 1.1.C.C56.03 |
| <b>description</b>   | side panel mounting pos. vertical W 40mm D 40mm H 1370mm white |                 |              |
| <b>For models:</b>   | GGC2270  |                 |              |

|  |                                   |                 |          |
|--|-----------------------------------|-----------------|----------|
|  |                                   |                 |          |
| 1  |                                   |                 |          |
| <b>Part No.</b>  | 699324                            | <b>Ref. No.</b> | VRX38.12 |
| <b>description</b>   | side panel W 390mm D 40mm H 222mm |                 |          |
| <b>For models:</b>   | GHS1600, GHS2600                  |                 |          |

|   |  |                 |                 |
|---|--|-----------------|-----------------|
|  |  |                 |                 |
| 1   |  |                 |                 |
| <b>Part No.</b>   | 698850                                   | <b>Ref. No.</b> | 1.1.C.C15.03.10 |
| <b>description</b>  | side panel W 418mm H 410mm plastic black |                 |                 |
| <b>For models:</b>  | GGC2270B                                 |                 |                 |

| miscellaneous   |                    |                 |              |
|---|--------------------|-----------------|--------------|
|  |                    |                 |              |
| 1   |                    |                 |              |
| <b>Part No.</b>   | 699427             | <b>Ref. No.</b> | 1.1.C.C03.01 |
| <b>description</b>  | blank H 5mm ø 12mm |                 |              |
| <b>For models:</b>  | GGC1078, GGC2270   |                 |              |

|   |                    |                 |              |
|---|--------------------|-----------------|--------------|
|  |                    |                 |              |
| 1   |                    |                 |              |
| <b>Part No.</b>   | 699428             | <b>Ref. No.</b> | 1.1.C.C03.02 |
| <b>description</b>  | blank H 5mm ø 12mm |                 |              |
| <b>For models:</b>  | GGC1078B, GGC2270B |                 |              |

|   |   |                 |              |
|---|---|-----------------|--------------|
|  |   |                 |              |
| 1   |   |                 |              |
| <b>Part No.</b>   | 692369  | <b>Ref. No.</b> | 1.1.C.C63.71 |
| <b>description</b>  | bracket for thermometer W 81mm H 41mm plastic Qty 1 pcs |                 |              |
| <b>For models:</b>  | GCV1600   |                 |              |



1

|                    |   |                 |              |
|--------------------|---|-----------------|--------------|
| <b>Part No.</b>    | 692410  | <b>Ref. No.</b> | 1.1.C.C09.01 |
| <b>description</b> | cover for lighting mounting pos. inner L 230mm W 84mm H 2.5mm plastic Qty 1 pcs |                 |              |
| <b>For models:</b> | GGC1078, GGC1078B, GGC2270, GGC2270B  |                 |              |



1

|                    |  |                 |          |
|--------------------|--|-----------------|----------|
| <b>Part No.</b>    | 699315   | <b>Ref. No.</b> | SLZE0042 |
| <b>description</b> | fixing plate for evaporator L 55mm W 27mm H 6mm  |                 |          |
| <b>For models:</b> | GBC1001, GBC1001S, GBC1001SS, GBC1002, GBC1002S, GBC1002SS, GBC1003, GBC1003S, GBC1003SS, GBC1102, GBC1103 |                 |          |

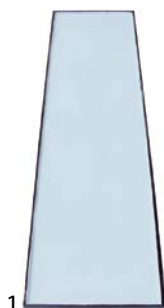


1

|                    |   |                 |              |
|--------------------|---|-----------------|--------------|
| <b>Part No.</b>    | 692370  | <b>Ref. No.</b> | 1.1.C.C63.70 |
| <b>description</b> | rail for gasket L 740mm W 42mm H 19mm plastic Qty 1 pcs |                 |              |
| <b>For models:</b> | GCV1600   |                 |              |

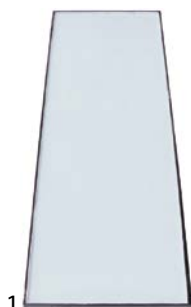
## glass panels

## glass panels



1

|                    |   |                 |                |
|--------------------|---|-----------------|----------------|
| <b>Part No.</b>    | 692293  | <b>Ref. No.</b> | 1.1.E.E2.02.44 |
| <b>description</b> | glass panel L 1392mm W 376mm thickness 10mm flat mounting pos. lateral for display refrigerator |                 |                |
| <b>For models:</b> | GGC2270, GGC2270B   |                 |                |



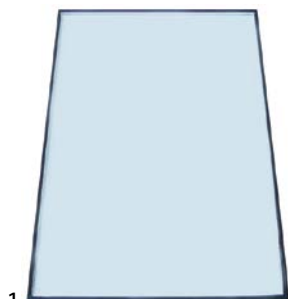
1

|                    |   |                 |                |
|--------------------|---|-----------------|----------------|
| <b>Part No.</b>    | 699328  | <b>Ref. No.</b> | 1.1.E.E2.02.45 |
| <b>description</b> | glass panel L 1395mm W 464mm thickness 17.5mm mounting pos. rear refrigerated show case GGC2270 |                 |                |
| <b>For models:</b> | GGC2270, GGC2270B   |                 |                |



1

|                    |   |                 |                |
|--------------------|---|-----------------|----------------|
| <b>Part No.</b>    | 699330  | <b>Ref. No.</b> | 1.1.E.E2.02.76 |
| <b>description</b> | glass panel L 360mm W 357mm thickness 10.5mm for door GCV1600 |                 |                |
| <b>For models:</b> | GCV1600   |                 |                |



1

|                    |   |                 |                |
|--------------------|---|-----------------|----------------|
| <b>Part No.</b>    | 692291  | <b>Ref. No.</b> | 1.1.E.E2.02.64 |
| <b>description</b> | glass panel L 635mm W 390mm thickness 10mm flat mounting pos. door for display refrigerator |                 |                |
| <b>For models:</b> | GGC1078, GGC1078B   |                 |                |



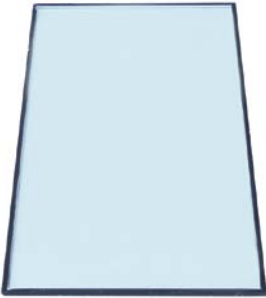
1

|                    |  |                 |                |
|--------------------|--|-----------------|----------------|
| <b>Part No.</b>    | 699326   | <b>Ref. No.</b> | 1.1.E.E2.02.74 |
| <b>description</b> | glass panel L 645mm W 595mm H 16mm thickness 8mm mounting pos. left for display refrigerator GCV1600 |                 |                |
| <b>For models:</b> | GCV1600  |                 |                |



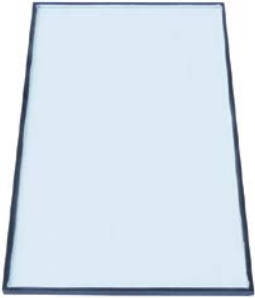
1

|                    |   |                 |                |
|--------------------|---|-----------------|----------------|
| <b>Part No.</b>    | 699327  | <b>Ref. No.</b> | 1.1.E.E2.02.75 |
| <b>description</b> | glass panel L 645mm W 595mm H 16mm thickness 8mm mounting pos. right for display refrigerator GCV1600 |                 |                |
| <b>For models:</b> | GCV1600   |                 |                |


1

|                    |   |                 |                |
|--------------------|---|-----------------|----------------|
| <b>Part No.</b>    | 692292  | <b>Ref. No.</b> | 1.1.E.E2.02.12 |
| <b>description</b> | glass panel L 655mm W 390mm thickness 10mm flat mounting pos. rear for display refrigerator |                 |                |
| <b>For models:</b> | GGC1078, GGC1078B   |                 |                |



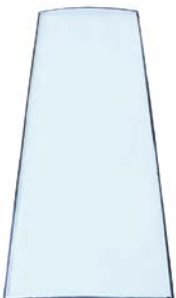
1

|                    |  |                 |                |
|--------------------|--|-----------------|----------------|
| <b>Part No.</b>    | 692290   | <b>Ref. No.</b> | 1.1.E.E2.02.11 |
| <b>description</b> | glass panel L 660mm W 332mm thickness 10mm flat mounting pos. lateral for fridge |                 |                |
| <b>For models:</b> | GGC1078, GGC1078B  |                 |                |



1


|                    |  |                 |                   |
|--------------------|--|-----------------|-------------------|
| <b>Part No.</b>    | 699329   | <b>Ref. No.</b> | 1.1.E.E2.04.15.A0 |
| <b>description</b> | glass panel L 773mm W 710mm thickness 12mm mounting pos. front-side for display refrigerator GCV1600 |                 |                   |
| <b>For models:</b> | GCV1600  |                 |                   |



1

|                    |   |                 |                |
|--------------------|---|-----------------|----------------|
| <b>Part No.</b>    | 692289  | <b>Ref. No.</b> | 1.1.E.E2.02.65 |
| <b>description</b> | glass panel W 460mm H 1360mm thickness 17mm curved for fridge |                 |                |
| <b>For models:</b> | GGC2270, GGC2270B   |                 |                |

accessories



1

|                    |              |                 |              |
|--------------------|--------------|-----------------|--------------|
| <b>Part No.</b>    | 699431       | <b>Ref. No.</b> | 1.1.B.B14.05 |
| <b>description</b> | rail L 775mm |                 |              |
| <b>For models:</b> | GCV1600      |                 |              |

doors



1

|                    |  |                 |                   |
|--------------------|--|-----------------|-------------------|
| <b>Part No.</b>    | 699176   | <b>Ref. No.</b> | S24AC22A0001-LEFT |
| <b>description</b> | door L 515mm W 425mm H 55mm mounting pos. left |                 |                   |
| <b>For models:</b> | GPS2600, GSA2600, GSD2600, GSF2600             |                 |                   |




1

|                    |   |                 |                    |
|--------------------|---|-----------------|--------------------|
| <b>Part No.</b>    | 699177  | <b>Ref. No.</b> | S24AC22A0001-RIGHT |
| <b>description</b> | door L 515mm W 425mm H 55mm mounting pos. right |                 |                    |
| <b>For models:</b> | GPS2600, GSA2600, GSD2600, GSF2600              |                 |                    |



1

|                    |  |                 |              |
|--------------------|--|-----------------|--------------|
| <b>Part No.</b>    | 698859   | <b>Ref. No.</b> | 1.1.C.C11.02 |
| <b>description</b> | door frame L 425mm W 15mm H 28mm mounting pos. upper/lower |                 |              |
| <b>For models:</b> | GGC1078B   |                 |              |



1

|                    |  |                 |              |
|--------------------|--|-----------------|--------------|
| <b>Part No.</b>    | 699405                                       | <b>Ref. No.</b> | S24AC50A0004 |
| <b>description</b> | shelf L 255mm W 890mm H 30mm stainless steel |                 |              |
| <b>For models:</b> | GSD2600                                      |                 |              |



## door mechanics

## bolts



1

|                    |  |                 |              |
|--------------------|--|-----------------|--------------|
| <b>Part No.</b>    | 699424   | <b>Ref. No.</b> | 1.1.B.B09.03 |
| <b>description</b> | door bolt H 7mm W 7mm L 20.5mm mounting pos. upper |                 |              |
| <b>For models:</b> | GGC1078, GGC1078B                                  |                 |              |

## bushes



1

|                    |                             |                 |              |
|--------------------|-----------------------------|-----------------|--------------|
| <b>Part No.</b>    | 699430                      | <b>Ref. No.</b> | 1.1.C.C13.02 |
| <b>description</b> | bush H 15mm ø 10mm          |                 |              |
| <b>For models:</b> | GGC1078B, GGC2270, GGC2270B |                 |              |

## miscellaneous



1

|                    |                                    |                 |          |
|--------------------|------------------------------------|-----------------|----------|
| <b>Part No.</b>    | 694928                             | <b>Ref. No.</b> | WJXC0000 |
| <b>description</b> | door magnet L 46mm W 16mm H 14.5mm |                 |          |
| <b>For models:</b> | GBC1102, GBC1103                   |                 |          |



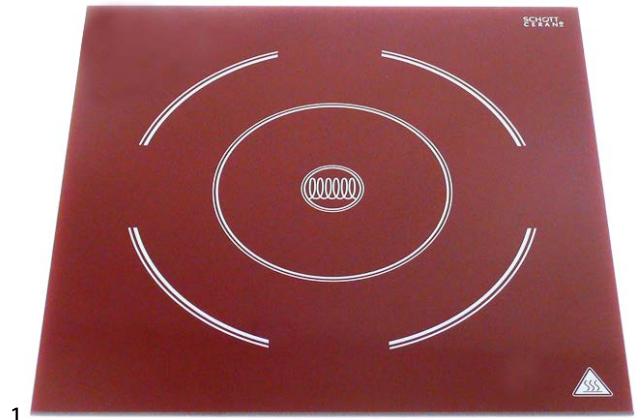
1

|                    |   |                 |          |
|--------------------|---|-----------------|----------|
| <b>Part No.</b>    | 694929  | <b>Ref. No.</b> | WJCXG000 |
| <b>description</b> | plate for magnet L 45mm W 12mm H 1.5mm mounting distance 32mm |                 |          |
| <b>For models:</b> | GBC1102, GBC1103  |                 |          |

## for pyroceram ranges

## ceramic hobs

## ceramic glass plates



1

|                    |   |                 |            |
|--------------------|---|-----------------|------------|
| <b>Part No.</b>    | 694579                                      | <b>Ref. No.</b> | MBF000032R |
| <b>description</b> | ceramic plate L 300mm W 300mm thickness 4mm |                 |            |
| <b>For models:</b> | GLC3035                                     |                 |            |

## for deep fryers

## fasteners



1

|                    |                                     |                 |                |
|--------------------|-------------------------------------|-----------------|----------------|
| <b>Part No.</b>    | 692544                              | <b>Ref. No.</b> | 2.02HDF4260701 |
| <b>description</b> | mounting strap L 63mm W 25mm H 15mm |                 |                |
| <b>For models:</b> | GDF3024, GDF3028, GDF5028           |                 |                |

## lids



1


|                    |   |                 |                |
|--------------------|---|-----------------|----------------|
| <b>Part No.</b>    | 698544  | <b>Ref. No.</b> | 3.CP0603070100 |
| <b>description</b> | mushroom cap handle handle ø 50mm ø 70mm L 36mm plastic black |                 |                |
| <b>For models:</b> | GDF3004, GDF3008, GDF3024, GDF3028, GDF5008, GDF5028          |                 |                |






miscellaneous


|   |                                     |                 |                 |
|---|-------------------------------------|-----------------|-----------------|
|  |                                     |                 |                 |
| 1   |                                     |                 |                 |
| <b>Part No.</b>   | 694737                              | <b>Ref. No.</b> | 2.02HDF8A130001 |
| <b>description</b>  | bezel plate L 63mm H 15mm ID ø 26mm |                 |                 |
| <b>For models:</b>  | GDF5008, GDF5028                    |                 |                 |

|   |  |                 |               |
|---|--|-----------------|---------------|
|  |  |                 |               |
| 1   |  |                 |               |
| <b>Part No.</b>   | 699212                                       | <b>Ref. No.</b> | 2.HDF8A460201 |
| <b>description</b>  | pipe stainless steel L 30mm W 13mm thread M5 |                 |               |
| <b>For models:</b>  | GDF5008, GDF5028                             |                 |               |


for convection ovens/combi-steamers


|   |   |                 |          |
|---|---|-----------------|----------|
|  |   |                 |          |
| 1   |   |                 |          |
| <b>Part No.</b>   | 692843  | <b>Ref. No.</b> | 00004380 |
| <b>description</b>  | spacer bush ID ø 7mm H 7.5mm ED ø 17.5mm for glass plate white Spacer |                 |          |
| <b>For models:</b>  | GCO2001   |                 |          |


spare parts and accessories





|   |                  |                 |        |
|---|------------------|-----------------|--------|
|  |                  |                 |        |
| 1   |                  |                 |        |
| <b>Part No.</b>   | 693043           | <b>Ref. No.</b> | F02005 |
| <b>description</b>  | guard            |                 |        |
| <b>For models:</b>  | GTO1001, GTO2001 |                 |        |

glass panels


|   |  |                 |          |
|---|--|-----------------|----------|
|  |  |                 |          |
| 1   |  |                 |          |
| <b>Part No.</b>   | 694950   | <b>Ref. No.</b> | VET30017 |
| <b>description</b>  | door glass for combi-steamer L 485mm mounting pos. inner W 415mm thickness 4mm |                 |          |
| <b>For models:</b>  | GCO500   |                 |          |

|   |  |                 |          |
|---|--|-----------------|----------|
|  |  |                 |          |
| 1   |  |                 |          |
| <b>Part No.</b>   | 694951   | <b>Ref. No.</b> | VET05021 |
| <b>description</b>  | door glass for combi-steamer L 555mm mounting pos. outer W 425mm thickness 4mm |                 |          |
| <b>For models:</b>  | GCO500   |                 |          |

|  |   |                 |          |
|--|---|-----------------|----------|
|  |   |                 |          |
| 1  |   |                 |          |
| <b>Part No.</b>  | 692841  | <b>Ref. No.</b> | 21100870 |
| <b>description</b>   | glass panel L 447mm mounting pos. inner W 585mm                       |                 |          |
| <b>For models:</b>   | GCO2001   |                 |          |
| <b>accessories for</b>   | 692841  |                 |          |
|  | <b>Part No.</b>   | <b>Ref. No.</b> | 21100880 |
|   | glass panel L 450mm mounting pos. outer W 590mm                       |                 |          |
|  | <b>Part No.</b>   | <b>Ref. No.</b> | 00004380 |
|   | spacer bush ID ø 7mm H 7.5mm ED ø 17.5mm for glass plate white Spacer |                 |          |

|   |   |                 |          |
|---|---|-----------------|----------|
|   |   |                 |          |
| 1   |   |                 |          |
| <b>Part No.</b>   | 692842  | <b>Ref. No.</b> | 21100880 |
| <b>description</b>  | glass panel L 450mm mounting pos. outer W 590mm                       |                 |          |
| <b>For models:</b>  | GCO2001   |                 |          |
| <b>accessories for</b>  | 692842  |                 |          |
|   | <b>Part No.</b>   | <b>Ref. No.</b> | 21100870 |
|   | glass panel L 447mm mounting pos. inner W 585mm                       |                 |          |
|   | <b>Part No.</b>   | <b>Ref. No.</b> | 00004380 |
|  | spacer bush ID ø 7mm H 7.5mm ED ø 17.5mm for glass plate white Spacer |                 |          |
|   | <b>Part No.</b>   | <b>Ref. No.</b> | 00011680 |
|  | door handle ø 18mm L 350mm stainless steel M5 black matt              |                 |          |

Fans - accessories

|  |  |                 |          |
|--|--|-----------------|----------|
|  |  |                 |          |
| 1  |  |                 |          |
| <b>Part No.</b>  | 701630   | <b>Ref. No.</b> | 00012330 |
| <b>description</b>   | air duct for cross flow fan for combi-steamer plastic grey |                 |          |
| <b>For models:</b>   | GCO2001  |                 |          |



## for hot dog machines

## lids



1

|                    |                                 |                 |        |
|--------------------|---------------------------------|-----------------|--------|
| <b>Part No.</b>    | 694450                          | <b>Ref. No.</b> | F05051 |
| <b>description</b> | lid for hot dog machine ø 205mm |                 |        |
| <b>For models:</b> | GHM1001                         |                 |        |

## glass cylinders



1

|                    |  |                 |        |
|--------------------|--|-----------------|--------|
| <b>Part No.</b>    | 693002                                     | <b>Ref. No.</b> | F05009 |
| <b>description</b> | glass cylinder ø 200mm Pyrex glass H 240mm |                 |        |
| <b>For models:</b> | GHM1001                                    |                 |        |

## skewers



1

|                    |                                |                 |        |
|--------------------|--------------------------------|-----------------|--------|
| <b>Part No.</b>    | 693018                         | <b>Ref. No.</b> | F05010 |
| <b>description</b> | bun spikes for hot dog machine |                 |        |
| <b>For models:</b> | GHM1001                        |                 |        |

## water containers



1

|                    |  |                 |        |
|--------------------|--|-----------------|--------|
| <b>Part No.</b>    | 693005   | <b>Ref. No.</b> | F05022 |
| <b>description</b> | water container for hot dog machine PTFE/aluminium |                 |        |
| <b>For models:</b> | GHM1001  |                 |        |

## for induction devices



1

|                    |  |                 |          |
|--------------------|--|-----------------|----------|
| <b>Part No.</b>    | 970790   | <b>Ref. No.</b> | AB600022 |
| <b>description</b> | grease filter W 323mm H 144mm thickness 8mm SS layers 2 outer grids 1 inner grids 1 for induction device |                 |          |
| <b>For models:</b> | GIC3035  |                 |          |

## for tilting bratt pans

## miscellaneous



1

|                    |  |                 |             |
|--------------------|--|-----------------|-------------|
| <b>Part No.</b>    | 523510   | <b>Ref. No.</b> | 00000000860 |
| <b>description</b> | deep-groove ball bearing type 6202-2RS shaft ø 15mm ED ø 35mm W 11mm with sealing discs deep-groove ball bearing DIN 625-1 |                 |             |
| <b>For models:</b> | GFS1025, GFS2019, GFS2022, GFS2025, GFS2030  |                 |             |

## for microwaves

## electric

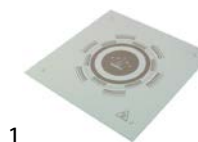
## line filters



1

|                    |  |                 |              |
|--------------------|--|-----------------|--------------|
| <b>Part No.</b>    | 403188   | <b>Ref. No.</b> | 263029001088 |
| <b>description</b> | line filter microwave for GMW1025 250V 50/60Hz conductor 2 PCB connection male faston 4.8mm L 80mm H 20mm W 40mm PCB Qty 1 pcs cable length 120mm type DNV-0818A-5 |                 |              |
| <b>For models:</b> | GMW1025  |                 |              |

## ceramic plates



1

|                    |   |                 |              |
|--------------------|---|-----------------|--------------|
| <b>Part No.</b>    | 692350  | <b>Ref. No.</b> | 243999000108 |
| <b>description</b> | ceramic plate L 330mm W 335mm for microwave thickness 3.5mm GMW1025 Qty 1 pcs |                 |              |
| <b>For models:</b> | GMW1025   |                 |              |

|                        |        |  |  |
|------------------------|--------|--|--|
| <b>accessories for</b> | 692350 |  |  |
|------------------------|--------|--|--|



|                    |   |                 |              |
|--------------------|---|-----------------|--------------|
| <b>Part No.</b>    | 901698  | <b>Ref. No.</b> | 593219000016 |
| <b>description</b> | gasket L 330mm W 325mm silicone for ceramic plate Qty 1 pcs |                 |              |

## miscellaneous



1

|                    |  |                 |              |
|--------------------|--|-----------------|--------------|
| <b>Part No.</b>    | 601869   | <b>Ref. No.</b> | 213149000023 |
| <b>description</b> | bracket L 78mm W 20mm H 50mm for condenser Qty 1 pcs |                 |              |
| <b>For models:</b> | GMW1025  |                 |              |



doors

films



1

|                    |  |                 |              |
|--------------------|--|-----------------|--------------|
| <b>Part No.</b>    | 692451   | <b>Ref. No.</b> | 515059000119 |
| <b>description</b> | film L 287mm W 159mm for door inside thickness 0.1mm transparent suitable for GALANZ plastic Qty 1 pcs |                 |              |
| <b>For models:</b> | GMW1025  |                 |              |

for ovens

housing and bezels



1

|                    |   |                 |          |
|--------------------|---|-----------------|----------|
| <b>Part No.</b>    | 692763  | <b>Ref. No.</b> | DEF30123 |
| <b>description</b> | cover for hot air oven L 320mm W 325mm H 62mm |                 |          |
| <b>For models:</b> | GCO500  |                 |          |

for saladettes

housing and bezels



1

|                    |                                 |                 |              |
|--------------------|---------------------------------|-----------------|--------------|
| <b>Part No.</b>    | 692692                          | <b>Ref. No.</b> | KITSR4AC2A00 |
| <b>description</b> | bridge L 168/330/534mm 6 pieces |                 |              |
| <b>For models:</b> | GSA2600                         |                 |              |



1

|                    |  |                 |              |
|--------------------|--|-----------------|--------------|
| <b>Part No.</b>    | 692691   | <b>Ref. No.</b> | KITSR4AC4A00 |
| <b>description</b> | bridge set 2-piece for saladette W 25mm D 184mm H 11mm |                 |              |
| <b>For models:</b> | GPS2600, GSD2600                                       |                 |              |



1

|                    |                                      |                 |              |
|--------------------|--------------------------------------|-----------------|--------------|
| <b>Part No.</b>    | 993263                               | <b>Ref. No.</b> | P04AC20A0006 |
| <b>description</b> | cutting board L 950mm W 130mm H 20mm |                 |              |
| <b>For models:</b> | GSA2600                              |                 |              |



1

|                    |  |                 |  |
|--------------------|--|-----------------|--|
| <b>Part No.</b>    | 692257   | <b>Ref. No.</b> | VRX.01<br>VRX.02<br>VRX.04<br>VRX.05<br>VRX.06<br>VRX33-38 |
| <b>description</b> | mounting set for glass plate for saladette 53-piece Qty 1 pcs 6x mounting clip 7x angle 12x flat-headed bolt 14x bush 14x screw connection |                 |  |
| <b>For models:</b> | GHS1600, GHS2600   |                 |  |

doors



1

|                    |   |                 |              |
|--------------------|---|-----------------|--------------|
| <b>Part No.</b>    | 701546  | <b>Ref. No.</b> | S24AC22A0006 |
| <b>description</b> | door bolt L 28mm mounting pos. upper thread L 8mmmm |                 |              |
| <b>For models:</b> | GPS2600, GSA2600, GSD2600, GSF2600                  |                 |              |



## for salamander grills



|   |                    |   |                 |       |
|---|--------------------|---|-----------------|-------|
| 1 | <b>Part No.</b>    | 692240  | <b>Ref. No.</b> | 30045 |
|   | <b>description</b> | drain tray for salamander grill L 350mm W 245mm |                 |       |
|   | <b>For models:</b> | GTO1001, GTO2001                                |                 |       |

## for dishwashers

## boilers

## boilers for dishwashers



|   |                    |                                   |                 |        |
|---|--------------------|-----------------------------------|-----------------|--------|
| 1 | <b>Part No.</b>    | 508429                            | <b>Ref. No.</b> | 900384 |
|   | <b>description</b> | boiler 3500W 230V ø 127mm L 400mm |                 |        |
|   | <b>For models:</b> | GDW2001                           |                 |        |

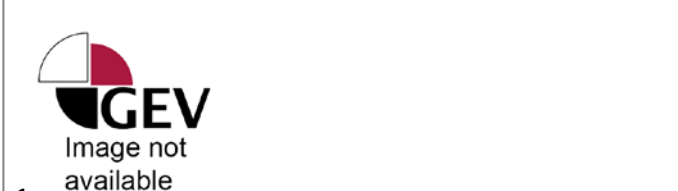
## air traps

## air traps



|   |                    |  |                 |        |
|---|--------------------|--|-----------------|--------|
| 1 | <b>Part No.</b>    | 519643   | <b>Ref. No.</b> | 905262 |
|   | <b>description</b> | air trap L 91mm W 54mm H 41mm hose ø 4x7mm plastic |                 |        |
|   | <b>For models:</b> | GDW2001  |                 |        |

## air trap accessories



|   |                    |         |                 |        |
|---|--------------------|---------|-----------------|--------|
| 1 | <b>Part No.</b>    | 519162  | <b>Ref. No.</b> | 904131 |
|   | <b>description</b> | spring  |                 |        |
|   | <b>For models:</b> | GDW2001 |                 |        |

## backflow preventers

## backflow preventers



|   |                        |   |                 |        |
|---|------------------------|---|-----------------|--------|
| 1 | <b>Part No.</b>        | 516101                                    | <b>Ref. No.</b> | TR2433 |
|   | <b>description</b>     | backflow preventer dishwasher hose ø 12mm |                 |        |
|   | <b>For models:</b>     | GDW2001                                   |                 |        |
|   | <b>spare parts for</b> | 516101                                    |                 |        |



|  |                    |  |                 |   |
|--|--------------------|--|-----------------|---|
|  | <b>Part No.</b>    | 506367   | <b>Ref. No.</b> | — |
|  | <b>description</b> | flat gasket rubber ED ø 40mm ID ø 28mm thickness 1.8mm Qty 1 pcs |                 |   |

## door mechanics

## linkage



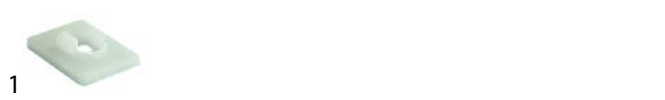
|   |                    |                  |                 |        |
|---|--------------------|------------------|-----------------|--------|
| 1 | <b>Part No.</b>    | 519261           | <b>Ref. No.</b> | 902740 |
|   | <b>description</b> | door pin tie bar |                 |        |
|   | <b>For models:</b> | GDW2001          |                 |        |

## threaded shafts



|   |                    |                        |                 |        |
|---|--------------------|------------------------|-----------------|--------|
| 1 | <b>Part No.</b>    | 519228                 | <b>Ref. No.</b> | 905424 |
|   | <b>description</b> | threaded part end stop |                 |        |
|   | <b>For models:</b> | GDW2001                |                 |        |

## sliding plates



|   |                    |                             |                 |        |
|---|--------------------|-----------------------------|-----------------|--------|
| 1 | <b>Part No.</b>    | 519208                      | <b>Ref. No.</b> | 904952 |
|   | <b>description</b> | sliding plate sliding plate |                 |        |
|   | <b>For models:</b> | GDW2001                     |                 |        |

## hinges



|   |                    |                          |                 |        |
|---|--------------------|--------------------------|-----------------|--------|
| 1 | <b>Part No.</b>    | 519035                   | <b>Ref. No.</b> | 901245 |
|   | <b>description</b> | door hinge bores 3 hinge |                 |        |
|   | <b>For models:</b> | GDW2001                  |                 |        |



hinge pins



|                    |                     |                 |        |
|--------------------|---------------------|-----------------|--------|
| <b>Part No.</b>    | 519204              | <b>Ref. No.</b> | 904795 |
| <b>description</b> | hinge pin hinge pin |                 |        |
| <b>For models:</b> | GDW2001             |                 |        |

locks



|                    |                               |                 |        |
|--------------------|-------------------------------|-----------------|--------|
| <b>Part No.</b>    | 519247                        | <b>Ref. No.</b> | 906121 |
| <b>description</b> | door catch door locking catch |                 |        |
| <b>For models:</b> | GDW2001                       |                 |        |

accessories for 519247



|                    |  |                 |   |
|--------------------|--|-----------------|---|
| <b>Part No.</b>    | 519050   | <b>Ref. No.</b> | — |
| <b>description</b> | nut thread M12x1.75 H 4mm WS 16 SS Qty 1 pcs for snap lock |                 |   |

screw connections



|                    |  |                 |        |
|--------------------|--|-----------------|--------|
| <b>Part No.</b>    | 519645   | <b>Ref. No.</b> | 902111 |
| <b>description</b> | nut thread 3/8" H 14mm WS 24 plastic Qty 1 pcs |                 |        |
| <b>For models:</b> | GDW2001  |                 |        |

washing and rinsing systems



|                    |   |                 |        |
|--------------------|---|-----------------|--------|
| <b>Part No.</b>    | 501351  | <b>Ref. No.</b> | 908154 |
| <b>description</b> | flange mounting pos. upper ø 91mm H 11mm ID ø 45mm hole ø 5.5mm |                 |        |
| <b>For models:</b> | GDW2001   |                 |        |



|                    |  |                 |        |
|--------------------|--|-----------------|--------|
| <b>Part No.</b>    | 519444   | <b>Ref. No.</b> | 905449 |
| <b>description</b> | opposite support mounting pos. upper/lower for wash arm support suitable for Silanos |                 |        |
| <b>For models:</b> | GDW2001  |                 |        |

accessories for 519444



|                    |   |                 |        |
|--------------------|---|-----------------|--------|
| <b>Part No.</b>    | 519445  | <b>Ref. No.</b> | 908141 |
| <b>description</b> | gasket D1 ø 80mm D2 ø 50mm thickness 3mm with 4 screw holes |                 |        |



|                    |   |                 |        |
|--------------------|---|-----------------|--------|
| <b>Part No.</b>    | 519238  | <b>Ref. No.</b> | 906002 |
| <b>description</b> | plain washer ID ø 15mm ED ø 33mm thickness 0.8mm SS Qty 1 pcs |                 |        |
| <b>For models:</b> | GDW2001   |                 |        |



|                    |                             |                 |        |
|--------------------|-----------------------------|-----------------|--------|
| <b>Part No.</b>    | 501349                      | <b>Ref. No.</b> | 908456 |
| <b>description</b> | reducer for rinse arm shaft |                 |        |
| <b>For models:</b> | GDW2001                     |                 |        |



|                    |   |                 |        |
|--------------------|---|-----------------|--------|
| <b>Part No.</b>    | 517355  | <b>Ref. No.</b> | 908702 |
| <b>description</b> | spacer piece for wash arm support ID ø 44mm ED ø 80mm thickness 18mm L 55mm plastic |                 |        |
| <b>For models:</b> | GDW2001   |                 |        |



|                    |                              |                 |        |
|--------------------|------------------------------|-----------------|--------|
| <b>Part No.</b>    | 519085                       | <b>Ref. No.</b> | 902880 |
| <b>description</b> | Thumb screw ø 34mm thread M6 |                 |        |
| <b>For models:</b> | GDW2001                      |                 |        |



|                    |   |                 |        |
|--------------------|---|-----------------|--------|
| <b>Part No.</b>    | 519537  | <b>Ref. No.</b> | 908701 |
| <b>description</b> | wash pipe ø 37mm L 720mm plastic suitable for Silanos |                 |        |
| <b>For models:</b> | GDW2001   |                 |        |

for toasters

spare parts and accessories

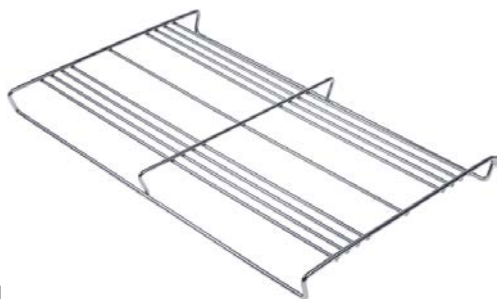


|                    |                  |                 |        |
|--------------------|------------------|-----------------|--------|
| <b>Part No.</b>    | 693043           | <b>Ref. No.</b> | F02005 |
| <b>description</b> | guard            |                 |        |
| <b>For models:</b> | GTO1001, GTO2001 |                 |        |





miscellaneous



|                    |  |                 |        |
|--------------------|--|-----------------|--------|
| 1                  |  |                 |        |
| <b>Part No.</b>    | 694449                                   | <b>Ref. No.</b> | F01069 |
| <b>description</b> | guard L 315mm W 200mm for toaster H 24mm |                 |        |
| <b>For models:</b> | GTO1001, GTO2001                         |                 |        |

knobs

universal knobs



|                    |   |                 |                      |
|--------------------|---|-----------------|----------------------|
| 1                  |   |                 |                      |
| <b>Part No.</b>    | 112733  | <b>Ref. No.</b> | 3ZCK165BT19010101MGB |
| <b>description</b> | knob zero mark t.max.°C ø 55mm shaft ø 6x4.6mm shaft flat upper black |                 |                      |
| <b>For models:</b> | GDF3004, GDF3008, GDF3024, GDF3028, GDF5008, GDF5028                  |                 |                      |

miscellaneous



|                    |                                     |                 |      |
|--------------------|-------------------------------------|-----------------|------|
| 1                  |                                     |                 |      |
| <b>Part No.</b>    | 696506                              | <b>Ref. No.</b> | 2858 |
| <b>description</b> | knob for PCB ø 26mm black Qty 1 pcs |                 |      |
| <b>For models:</b> | GSM1000                             |                 |      |

accessories

rosettes



|                    |  |                 |                      |
|--------------------|--|-----------------|----------------------|
| 1                  |  |                 |                      |
| <b>Part No.</b>    | 111806   | <b>Ref. No.</b> | 3.ZCK165BT20010101-1 |
| <b>description</b> | rosette knob ø 16mm ø 55mm                           |                 |                      |
| <b>For models:</b> | GDF3004, GDF3008, GDF3024, GDF3028, GDF5008, GDF5028 |                 |                      |

handles and hand wheels

mushroom cap handles



|                    |  |                 |            |
|--------------------|--|-----------------|------------|
| 1                  |  |                 |            |
| <b>Part No.</b>    | 697445   | <b>Ref. No.</b> | 0000000677 |
| <b>description</b> | mushroom cap handle thread M6 handle ø 33mm L 26mm plastic black |                 |            |
| <b>For models:</b> | GFS2030  |                 |            |



|                    |  |                 |             |
|--------------------|--|-----------------|-------------|
| 1                  |  |                 |             |
| <b>Part No.</b>    | 698641   | <b>Ref. No.</b> | 00000001111 |
| <b>description</b> | mushroom cap handle thread M6 handle ø 34mm L 25mm aluminium |                 |             |
| <b>For models:</b> | GFS1030  |                 |             |

handle bars

producer-specific handle rails

TECNOEKA



|                    |  |                 |          |
|--------------------|--|-----------------|----------|
| 1                  |  |                 |          |
| <b>Part No.</b>    | 694993   | <b>Ref. No.</b> | 00011680 |
| <b>description</b> | door handle ø 18mm L 350mm stainless steel M5 black matt |                 |          |
| <b>For models:</b> | GCO2001  |                 |          |

handle rails


handle rails



|                    |   |                 |          |
|--------------------|---|-----------------|----------|
| 1                  |   |                 |          |
| <b>Part No.</b>    | 699449  | <b>Ref. No.</b> | SLZB0020 |
| <b>description</b> | handle rail for fridge L 220mm W 36mm H 23mm grey hole distance 120mm |                 |          |
| <b>For models:</b> | GSC2336   |                 |          |



miscellaneous



1

|                    |   |                 |              |
|--------------------|---|-----------------|--------------|
| <b>Part No.</b>    | 692409  | <b>Ref. No.</b> | 1.1.C.C12.06 |
| <b>description</b> | door handle L 100mm W 32mm hole distance 68mm white |                 |              |
| <b>For models:</b> | GGC2270   |                 |              |



1

|                    |   |                 |              |
|--------------------|---|-----------------|--------------|
| <b>Part No.</b>    | 698858  | <b>Ref. No.</b> | 1.1.C.C12.15 |
| <b>description</b> | handle black for vitrine H 9.5mm L 85mm W 25mm mounting distance 70mm Qty 1 pcs |                 |              |
| <b>For models:</b> | GGC1078B  |                 |              |



1

|                    |  |                 |              |
|--------------------|--|-----------------|--------------|
| <b>Part No.</b>    | 692402   | <b>Ref. No.</b> | 1.1.C.C12.14 |
| <b>description</b> | handle grey for vitrine H 9.5mm L 85mm W 25mm mounting distance 70mm Qty 1 pcs |                 |              |
| <b>For models:</b> | GGC1078  |                 |              |



1

|                    |  |                 |        |
|--------------------|--|-----------------|--------|
| <b>Part No.</b>    | 691960   | <b>Ref. No.</b> | A15015 |
| <b>description</b> | handle L 100mm W 32mm hole distance 70mm for lid |                 |        |
| <b>For models:</b> | GTO1001, GTO2001                                 |                 |        |



1

|                    |  |                 |        |
|--------------------|--|-----------------|--------|
| <b>Part No.</b>    | 110921   | <b>Ref. No.</b> | A15016 |
| <b>description</b> | handle L 130mm W 39mm hole distance 91mm Qty 1 pcs |                 |        |
| <b>For models:</b> | GHM1001  |                 |        |



1


|                    |  |                 |                |
|--------------------|--|-----------------|----------------|
| <b>Part No.</b>    | 692545   | <b>Ref. No.</b> | 3.HDF409010101 |
| <b>description</b> | handle L 96mm W 64mm hole distance 73mm mounting pos. side panel black |                 |                |
| <b>For models:</b> | GDF3004, GDF3024   |                 |                |

locks

locking devices

producer-specific

WEIBO




1

|                    |  |                 |          |
|--------------------|--|-----------------|----------|
| <b>Part No.</b>    | 692878   | <b>Ref. No.</b> | W0604007 |
| <b>description</b> | key cylinder rotation 90° cam length 45mm cam width 14mm for GFR2700/GRE2700 with 2 keys |                 |          |
| <b>For models:</b> | GFR2700, GRE2700   |                 |          |

hinges



oven hinges




1


|                        |  |                 |                 |          |
|------------------------|--|-----------------|-----------------|----------|
| <b>Part No.</b>        | 701631   | <b>Ref. No.</b> | 00014600        |          |
| <b>description</b>     | opposite support mounting distance 119mm L 135mm W 12mm  |                 |                 |          |
| <b>For models:</b>     | GCO2001  |                 |                 |          |
| <b>accessories for</b> | 701631   |                 |                 |          |
|                        | <b>Part No.</b>  | 701573          | <b>Ref. No.</b> | 00014610 |
|                        | oven hinge mounting distance 142mm mounting distance 2mm lug mountingmm lever lengthmm groove distance 12mm spring thickness 3.3mm mounting ear position spring length 116mm L 170mm mounting pos. left/right W 22mm |                 |                 |          |





|   |  |                 |                          |
|---|--|-----------------|--------------------------|
|  |  |                 |                          |
| 1   |  |                 |                          |
| <b>Part No.</b>   | 701573   | <b>Ref. No.</b> | 00014610                 |
| <b>description</b>  | oven hinge mounting distance 142mm mounting distance 2mm lug mountingmm lever lengthmm groove distance 12mm spring thickness 3.3mm mounting ear position spring length 116mm L 170mm mounting pos. left/right W 22mm |                 |                          |
| <b>For models:</b>  | GCO2001  |                 |                          |
| <b>accessories for</b>  | 701573   |                 |                          |
|  | <b>Part No.</b>  | 701631          | <b>Ref. No.</b> 00014600 |
|   | opposite support mounting distance 119mm L 135mm W 12mm  |                 |                          |


|  |   |                 |                      |
|--|---|-----------------|----------------------|
|  |   |                 |                      |
| 1  |   |                 |                      |
| <b>Part No.</b>  | 701592  | <b>Ref. No.</b> | CER30021<br>STA00028 |
| <b>description</b>   | oven hinge set mounting distance 140mm lever length 42mm groove distance 15mm spring thickness 2.9mm L 170mm mounting pos. left/right with opposite support Qty 2 pcs |                 |                      |
| <b>For models:</b>   | GCO500  |                 |                      |


## door bearing


|   |   |                 |              |
|---|---|-----------------|--------------|
|  |   |                 |              |
| 1   |   |                 |              |
| <b>Part No.</b>   | 692406  | <b>Ref. No.</b> | 1.1.B.B10.17 |
| <b>description</b>  | bolt H 16.5mm ø 10/14mm ID ø 7mm brass for door hinge Qty 1 pcs |                 |              |
| <b>For models:</b>  | GGC2270, GGC2270B   |                 |              |


|   |  |                 |          |
|---|--|-----------------|----------|
|  |  |                 |          |
| 1   |  |                 |          |
| <b>Part No.</b>   | 701562   | <b>Ref. No.</b> | 44447000 |
| <b>description</b>  | bolt L 36mm W 22mm thread M6 bolt 12mm bolt ø 12mm |                 |          |
| <b>For models:</b>  | GFR3600S, GRE3600, GRE3600S                        |                 |          |


|   |   |                 |              |
|---|---|-----------------|--------------|
|  |   |                 |              |
| 1   |   |                 |              |
| <b>Part No.</b>   | 692421  | <b>Ref. No.</b> | 1.1.C.C13.01 |
| <b>description</b>  | bush H 15mm ø 10/13mm ID ø 7mm plastic for door hinge Qty 1 pcs |                 |              |
| <b>For models:</b>  | GGC1078, GGC2270, GGC2270B                                      |                 |              |

|   |                                     |                 |          |
|---|-------------------------------------|-----------------|----------|
|  |                                     |                 |          |
| 1   |                                     |                 |          |
| <b>Part No.</b>   | 701567                              | <b>Ref. No.</b> | 41649000 |
| <b>description</b>  | bush L 11mm ø 11/15mm thickness 2mm |                 |          |
| <b>For models:</b>  | GFR3600S, GRE3600, GRE3600S         |                 |          |


|   |                         |                 |          |
|---|-------------------------|-----------------|----------|
|  |                         |                 |          |
| 1   |                         |                 |          |
| <b>Part No.</b>   | 701572                  | <b>Ref. No.</b> | I0534002 |
| <b>description</b>  | bush ø 18.5mm ID ø 12mm |                 |          |
| <b>For models:</b>  | GFR3600S                |                 |          |


|  |   |                 |          |
|--|---|-----------------|----------|
|  |   |                 |          |
| 1  |   |                 |          |
| <b>Part No.</b>  | 701280  | <b>Ref. No.</b> | WJMA4002 |
| <b>description</b>   | door hinge L 42mm W 33mm H 82mm mounting pos. bottom right/left set Qty 1 pcs |                 |          |
| <b>For models:</b>   | GSC1100G  |                 |          |


|  |  |                 |          |
|--|--|-----------------|----------|
|  |  |                 |          |
| 1  |  |                 |          |
| <b>Part No.</b>  | 701281   | <b>Ref. No.</b> | WJMA4005 |
| <b>description</b>   | door hinge L 43mm W 82mm H 71mm mounting pos. upper right/left set Qty 1 pcs |                 |          |
| <b>For models:</b>   | GSC1100G   |                 |          |



|  |   |                 |                          |
|--|---|-----------------|--------------------------|
|  |   |                 |                          |
| 1  |   |                 |                          |
| <b>Part No.</b>  | 698866  | <b>Ref. No.</b> | GPC1046-12<br>GPC1088-13 |
| <b>description</b>   | door hinge L 90mm W 40mm H 19mm mounting pos. lower bolt 13mm bolt ø 10.5mm |                 |                          |
| <b>For models:</b>   | GPC1046, GPC1088  |                 |                          |





|  |   |                 |                          |
|--|---|-----------------|--------------------------|
|  <p>1</p> |   |                 |                          |
| <b>Part No.</b>  | 698863  | <b>Ref. No.</b> | GPC1046-04<br>GPC1088-05 |
| <b>description</b>   | door hinge L 90mm W 40mm H 19mm mounting pos. upper bolt 13mm bolt ø 10.5mm |                 |                          |
| <b>For models:</b>   | GPC1046, GPC1088  |                 |                          |


|  |  |                 |          |
|--|--|-----------------|----------|
|  <p>1</p> |  |                 |          |
| <b>Part No.</b>  | 701564   | <b>Ref. No.</b> | 46996000 |
| <b>description</b>   | hinge L 130mm W 85mm H 38mm mounting distance 48mm mounting distance 2 33mm thread M6 ø 8mm bolt 13mm bolt ø 8mm |                 |          |
| <b>For models:</b>   | GRE3600  |                 |          |


|  |   |                 |              |
|--|---|-----------------|--------------|
|  <p>1</p> |   |                 |              |
| <b>Part No.</b>  | 692690  | <b>Ref. No.</b> | S24AC22A0003 |
| <b>description</b>   | hinge L 40mm W 70mm H 22mm mounting distance 2 20mm |                 |              |
| <b>For models:</b>   | GPS2600, GSA2600, GSD2600, GSF2600                  |                 |              |


|  |   |                 |          |
|--|---|-----------------|----------|
|  <p>1</p> |   |                 |          |
| <b>Part No.</b>  | 699587  | <b>Ref. No.</b> | W0604033 |
| <b>description</b>   | hinge L 87mm W 46mm mounting pos. upper right thickness 3.6mm bolt 46mm bolt ø 10.5mm for GFR2700/GRE2700 |                 |          |
| <b>For models:</b>   | GFR2700, GRE2700  |                 |          |
| <b>accessories for</b>   | 699587  |                 |          |
|           |   |                 |          |
| <b>Part No.</b>  | 699588  | <b>Ref. No.</b> | W0604037 |
| <b>description</b>   | hinge L 88mm W 50mm mounting pos. bottom right thickness 3.6mm bolt 29mm bolt ø 11mm for GFR2700/GRE2700  |                 |          |


|  |  |                 |          |
|--|--|-----------------|----------|
|  <p>1</p> |  |                 |          |
| <b>Part No.</b>  | 699588   | <b>Ref. No.</b> | W0604037 |
| <b>description</b>   | hinge L 88mm W 50mm mounting pos. bottom right thickness 3.6mm bolt 29mm bolt ø 11mm for GFR2700/GRE2700 |                 |          |
| <b>For models:</b>   | GFR2700, GRE2700   |                 |          |
| <b>spare parts for</b>   | 699588   |                 |          |
|           |  |                 |          |
| <b>Part No.</b>  | 699568   | <b>Ref. No.</b> | W0604038 |
| <b>description</b>   | base plate for door hinge mounting pos. lower L 35mm W 25mm for GFR2700/GRE2700                          |                 |          |


|   |   |                 |          |
|---|---|-----------------|----------|
| <b>accessories for</b>  | 699588  |                 |          |
|  |   |                 |          |
| <b>Part No.</b>   | 699587  | <b>Ref. No.</b> | W0604033 |
| <b>description</b>  | hinge L 87mm W 46mm mounting pos. upper right thickness 3.6mm bolt 46mm bolt ø 10.5mm for GFR2700/GRE2700 |                 |          |

|   |  |                 |          |
|---|--|-----------------|----------|
|  <p>1</p> |  |                 |          |
| <b>Part No.</b>   | 701563   | <b>Ref. No.</b> | 43870000 |
| <b>description</b>  | hinge L 98mm W 48mm H 38mm mounting distance 40mm mounting distance 2 20mm thread M6 |                 |          |
| <b>For models:</b>  | GFR3600S, GRE3600, GRE3600S  |                 |          |


|   |   |                 |          |
|---|---|-----------------|----------|
|  <p>1</p> |   |                 |          |
| <b>Part No.</b>   | 694866  | <b>Ref. No.</b> | WJMA2003 |
| <b>description</b>  | hinge mounting pos. lower L 82mm W 53mm H 43mm mounting distance 30mm mounting distance 2 56mm thickness 4mm bolt 20mm bolt ø 7mm |                 |          |
| <b>For models:</b>  | GSC2336   |                 |          |

|   |  |                 |          |
|---|--|-----------------|----------|
|  <p>1</p> |  |                 |          |
| <b>Part No.</b>   | 694865   | <b>Ref. No.</b> | WJMA0004 |
| <b>description</b>  | hinge mounting pos. upper L 50mm W 33mm H 42mm mounting distance 27mm thickness 3mm bolt 32.5mm bolt ø 9mm Qty 1kg |                 |          |
| <b>For models:</b>  | GSC2336  |                 |          |

|   |   |                 |              |
|---|---|-----------------|--------------|
|  <p>1</p> |   |                 |              |
| <b>Part No.</b>   | 699419  | <b>Ref. No.</b> | 1.1.B.B09.01 |
| <b>description</b>  | hinge bearing L 55mm W 15mm H 14mm mounting distance 26mm mounting pos. upper |                 |              |
| <b>For models:</b>  | GGC1078, GGC1078B   |                 |              |

|   |   |                 |          |
|---|---|-----------------|----------|
|  <p>1</p> |   |                 |          |
| <b>Part No.</b>   | 701565  | <b>Ref. No.</b> | 48205000 |
| <b>description</b>  | hinge bearing L 72mm W 39mm H 30mm mounting distance 25mm mounting distance 2 25mm mounting pos. left |                 |          |
| <b>For models:</b>  | GRE3600   |                 |          |




|   |  |                 |          |
|---|--|-----------------|----------|
|  |  |                 |          |
| 1   |  |                 |          |
| <b>Part No.</b>   | 701566   | <b>Ref. No.</b> | 46997000 |
| <b>description</b>  | hinge bearing L 72mm W 39mm H 30mm mounting distance 25mm mounting distance 2 25mm mounting pos. right |                 |          |
| <b>For models:</b>  | GRE3600  |                 |          |

|   |   |                 |              |
|---|---|-----------------|--------------|
|  |   |                 |              |
| 1   |   |                 |              |
| <b>Part No.</b>   | 699423  | <b>Ref. No.</b> | 1.1.B.B09.17 |
| <b>description</b>  | hinge bearing L 85mm W 17mm H 17mm mounting distance 48mm mounting pos. upper |                 |              |
| <b>For models:</b>  | GGC2270, GGC2270B   |                 |              |


accessories


bushes

|  |  |                 |          |
|--|--|-----------------|----------|
|  |  |                 |          |
| 1  |  |                 |          |
| <b>Part No.</b>  | 701642   | <b>Ref. No.</b> | W0409843 |
| <b>description</b>   | bush lower for door hinge ID ø 11mm ED ø 13mm L 26mm for GFR2700/GRE2700 |                 |          |
| <b>For models:</b>   | GFR2700, GRE2700   |                 |          |

|   |  |                 |          |
|---|--|-----------------|----------|
|  |  |                 |          |
| 1   |  |                 |          |
| <b>Part No.</b>   | 701641   | <b>Ref. No.</b> | W0409842 |
| <b>description</b>  | bush upper for door hinge ID ø 11mm ED ø 13mm L 29.5mm for GFR2700/GRE2700 |                 |          |
| <b>For models:</b>  | GFR2700, GRE2700   |                 |          |

base plate


|   |   |                 |          |
|---|---|-----------------|----------|
|  |   |                 |          |
| 1   |   |                 |          |
| <b>Part No.</b>   | 699568  | <b>Ref. No.</b> | W0604038 |
| <b>description</b>  | base plate for door hinge mounting pos. lower L 35mm W 25mm for GFR2700/GRE2700 |                 |          |
| <b>For models:</b>  | GFR2700, GRE2700  |                 |          |

|  |   |                 |          |
|--|---|-----------------|----------|
|  |   |                 |          |
| 1  |   |                 |          |
| <b>Part No.</b>  | 699569  | <b>Ref. No.</b> | W0604030 |
| <b>description</b>   | base plate for door hinge mounting pos. right L 74mm W 42mm for GFR2700/GRE2700 |                 |          |
| <b>For models:</b>   | GFR2700, GRE2700  |                 |          |

filters

accessories


fastening material

|  |  |                 |            |
|--|--|-----------------|------------|
|  |  |                 |            |
| 1  |  |                 |            |
| <b>Part No.</b>  | 694581                                 | <b>Ref. No.</b> | WJB000079R |
| <b>description</b>   | frame L 317mm W 170mm H 9mm for filter |                 |            |
| <b>For models:</b>   | GIC3035                                |                 |            |


equipment feet and end caps

equipment feet

with screw mounting

|   |   |                 |          |
|---|---|-----------------|----------|
|  |   |                 |          |
| 1   |   |                 |          |
| <b>Part No.</b>   | 701640  | <b>Ref. No.</b> | W0409018 |
| <b>description</b>  | equipment foot tube ø 51mm plate size 70x70mm hole distance 50mm H 11,7-18mm Qty 1 pcs for GFR2700/GRE2700 adjustable |                 |          |
| <b>For models:</b>  | GFR2700, GRE2700  |                 |          |


with fixing plate

|   |   |                 |          |
|---|---|-----------------|----------|
|  |   |                 |          |
| 1   |   |                 |          |
| <b>Part No.</b>   | 701640  | <b>Ref. No.</b> | W0409018 |
| <b>description</b>  | equipment foot tube ø 51mm plate size 70x70mm hole distance 50mm H 11,7-18mm Qty 1 pcs for GFR2700/GRE2700 adjustable |                 |          |
| <b>For models:</b>  | GFR2700, GRE2700  |                 |          |






screw-in feet




1

|                    |  |                 |        |
|--------------------|--|-----------------|--------|
| <b>Part No.</b>    | 701230   | <b>Ref. No.</b> | 900888 |
| <b>description</b> | equipment feet kit thread M5 thread L 10mm ø 22mm H 12mm rubber WS Qty 4 pcs bore ø 5/10mm |                 |        |
| <b>For models:</b> | GJU1001  |                 |        |




1

|                    |  |                 |         |
|--------------------|--|-----------------|---------|
| <b>Part No.</b>    | 700972   | <b>Ref. No.</b> | S900.13 |
| <b>description</b> | equipment foot thread M10 thread L 16mm ø 29mm H 11.5mm Qty 1 pcs for fridge |                 |         |
| <b>For models:</b> | GHS1600, GHS2600   |                 |         |




1

|                    |   |                 |          |
|--------------------|---|-----------------|----------|
| <b>Part No.</b>    | 701593  | <b>Ref. No.</b> | PIE30010 |
| <b>description</b> | equipment foot thread M10 thread L 18.5mm ø 49mm H 35mm plastic Qty 4 pcs |                 |          |
| <b>For models:</b> | GCO500  |                 |          |




1

|                    |  |                 |        |
|--------------------|--|-----------------|--------|
| <b>Part No.</b>    | 692235   | <b>Ref. No.</b> | A13012 |
| <b>description</b> | equipment foot thread M10 thread L 20mm ø 26mm H 6mm Qty 1 pcs |                 |        |
| <b>For models:</b> | GEG2001  |                 |        |




1

|                    |   |                 |          |
|--------------------|---|-----------------|----------|
| <b>Part No.</b>    | 802156  | <b>Ref. No.</b> | 00002790 |
| <b>description</b> | equipment foot thread M10 thread L 20mm ø 60mm H 50mm Qty 1 pcs |                 |          |
| <b>For models:</b> | GCO2001   |                 |          |




1

|                    |   |                 |          |
|--------------------|---|-----------------|----------|
| <b>Part No.</b>    | 701112  | <b>Ref. No.</b> | I0403014 |
| <b>description</b> | equipment foot thread M10 thread L 43mm ø 29mm H 52mm plastic WS 35 Qty 1 pcs |                 |          |
| <b>For models:</b> | GRE3600, GRE3600S   |                 |          |




1

|                    |  |                 |             |
|--------------------|--|-----------------|-------------|
| <b>Part No.</b>    | 701451   | <b>Ref. No.</b> | 00000001240 |
| <b>description</b> | equipment foot thread M5 thread L 13mm ø 37.5mm H 25mm conical aluminium WS Qty 1 pcs bore ø 6mm |                 |             |
| <b>For models:</b> | GFS1025  |                 |             |




1

|                    |   |                 |          |
|--------------------|---|-----------------|----------|
| <b>Part No.</b>    | 701219  | <b>Ref. No.</b> | AB300035 |
| <b>description</b> | equipment foot thread M5 thread L 9mm ø 33mm H 34mm Qty 1 pcs |                 |          |
| <b>For models:</b> | GIC3035   |                 |          |



1

|                    |  |                 |          |
|--------------------|--|-----------------|----------|
| <b>Part No.</b>    | 701220   | <b>Ref. No.</b> | AB300055 |
| <b>description</b> | equipment foot thread M6 thread L 20mm ø 33mm H 20mm WS 12 Qty 1 pcs |                 |          |
| <b>For models:</b> | GIC3035  |                 |          |



1

|                    |  |                 |             |
|--------------------|--|-----------------|-------------|
| <b>Part No.</b>    | 698495   | <b>Ref. No.</b> | 00000001251 |
| <b>description</b> | equipment foot thread M8 thread L 9mm ø 48mm H 43mm conical aluminium WS Qty 1 pcs |                 |             |
| <b>For models:</b> | GFS1030  |                 |             |



## bolting feet



1

|                 |        |                 |        |
|-----------------|--------|-----------------|--------|
| <b>Part No.</b> | 691814 | <b>Ref. No.</b> | A13003 |
|-----------------|--------|-----------------|--------|

|                    |   |  |  |
|--------------------|---|--|--|
| <b>description</b> | equipment foot $\varnothing$ 22mm H 20mm bore $\varnothing$ 4mm Qty 1 pcs |  |  |
|--------------------|---|--|--|

|                    |                           |  |  |
|--------------------|---------------------------|--|--|
| <b>For models:</b> | GHM1001, GTO1001, GTO2001 |  |  |
|--------------------|---------------------------|--|--|



1

|                 |        |                 |           |
|-----------------|--------|-----------------|-----------|
| <b>Part No.</b> | 698546 | <b>Ref. No.</b> | 3.0000161 |
|-----------------|--------|-----------------|-----------|

|                    |  |  |  |
|--------------------|--|--|--|
| <b>description</b> | equipment foot $\varnothing$ 29mm H 16mm rubber bore $\varnothing$ 6mm Qty 1 pcs |  |  |
|--------------------|--|--|--|

|                    |  |  |  |
|--------------------|--|--|--|
| <b>For models:</b> | GDF3004, GDF3008, GDF3024, GDF3028, GDF5008, GDF5028 |  |  |
|--------------------|--|--|--|



1

|                 |        |                 |                            |
|-----------------|--------|-----------------|----------------------------|
| <b>Part No.</b> | 697433 | <b>Ref. No.</b> | 00000000140<br>00000700140 |
|-----------------|--------|-----------------|----------------------------|

|                    |   |  |  |
|--------------------|---|--|--|
| <b>description</b> | equipment foot $\varnothing$ 35mm H 26mm bore $\varnothing$ 5mm Qty 1 pcs |  |  |
|--------------------|---|--|--|

|                    |   |  |  |
|--------------------|---|--|--|
| <b>For models:</b> | GFS1022, GFS2019, GFS2022, GFS2025, GFS2030 |  |  |
|--------------------|---|--|--|

## equipment feet with stem



1

|                 |        |                 |              |
|-----------------|--------|-----------------|--------------|
| <b>Part No.</b> | 701251 | <b>Ref. No.</b> | 223189000015 |
|-----------------|--------|-----------------|--------------|

|                    |  |  |  |
|--------------------|--|--|--|
| <b>description</b> | equipment foot $\varnothing$ 20mm H 12mm mounting $\varnothing$ 8mm mounting measurements 19mm overall height 19mm plastic Qty 1 pcs |  |  |
|--------------------|--|--|--|

|                    |         |  |  |
|--------------------|---------|--|--|
| <b>For models:</b> | GMW1025 |  |  |
|--------------------|---------|--|--|

## miscellaneous

## with fixing plate

 $\varnothing$ 30mm

1

|                 |                     |                 |                      |
|-----------------|---------------------|-----------------|----------------------|
| <b>Part No.</b> | 701277 <sup>1</sup> | <b>Ref. No.</b> | WJLA1001<br>WJLA1009 |
|-----------------|---------------------|-----------------|----------------------|

|                    |   |  |  |
|--------------------|---|--|--|
| <b>description</b> | swivel castor 2 with & 2 without brake $\varnothing$ 30mm plate fixing housing zinc-plated sheet steel plate size 61x51mm hole distance mm capacity 60kg bearing slide bearing wheel body PVC tread PVC H 44mm wheel width 23.5mm |  |  |
|--------------------|---|--|--|

|                    |   |  |  |
|--------------------|---|--|--|
| <b>For models:</b> | GBC1001, GBC1001S, GBC1001SS, GBC1002, GBC1002S, GBC1002SS, GBC1003, GBC1003S, GBC1003SS, GBC1102, GBC1103, GSC2336 |  |  |
|--------------------|---|--|--|

<sup>1</sup>with swivel brake $\varnothing$ 75mm

1

|                 |        |                 |          |
|-----------------|--------|-----------------|----------|
| <b>Part No.</b> | 701282 | <b>Ref. No.</b> | WJLA1002 |
|-----------------|--------|-----------------|----------|

|                    |   |  |  |
|--------------------|---|--|--|
| <b>description</b> | swivel castor set 2 with & 2 without brake $\varnothing$ 75mm plates fixing 102x83mm housing zinc-plated sheet steel hole distance 55/75mm bearing slide bearing H 112mm wheel width 31mm Qty 4 pcs |  |  |
|--------------------|---|--|--|

|                    |          |  |  |
|--------------------|----------|--|--|
| <b>For models:</b> | GSC1100G |  |  |
|--------------------|----------|--|--|

## with spigot

 $\varnothing$ 40mm

1

|                 |        |                 |                              |
|-----------------|--------|-----------------|------------------------------|
| <b>Part No.</b> | 701120 | <b>Ref. No.</b> | 1.1.B.B10.95<br>1.1.B.B10.96 |
|-----------------|--------|-----------------|------------------------------|

|                    |  |  |  |
|--------------------|--|--|--|
| <b>description</b> | castor set 2 with & 2 without brake $\varnothing$ 40mm with thread bolt housing chrome-plated steel thread L 24mm thread $\varnothing$ M10x1.5mm capacity 60kg bearing ball bearing wheel body nylon tread nylon H 68mm wheel width 20mm Qty 4 pcs |  |  |
|--------------------|--|--|--|

|                    |                   |  |  |
|--------------------|-------------------|--|--|
| <b>For models:</b> | GGC2270, GGC2270B |  |  |
|--------------------|-------------------|--|--|

## baskets

## crumb screens



1

|                 |        |                 |                |
|-----------------|--------|-----------------|----------------|
| <b>Part No.</b> | 970869 | <b>Ref. No.</b> | 2.HDF405069510 |
|-----------------|--------|-----------------|----------------|

|                    |   |  |  |
|--------------------|---|--|--|
| <b>description</b> | crumb screen L 220mm W 160mm H 35mm 4 litre |  |  |
|--------------------|---|--|--|

|                    |                  |  |  |
|--------------------|------------------|--|--|
| <b>For models:</b> | GDF3004, GDF3024 |  |  |
|--------------------|------------------|--|--|



1


|                 |        |                 |                   |
|-----------------|--------|-----------------|-------------------|
| <b>Part No.</b> | 970870 | <b>Ref. No.</b> | 2.HDF812020609510 |
|-----------------|--------|-----------------|-------------------|

|                    |   |  |  |
|--------------------|---|--|--|
| <b>description</b> | crumb screen L 245mm W 200mm H 35mm 8 litre |  |  |
|--------------------|---|--|--|

|                    |                                    |  |  |
|--------------------|------------------------------------|--|--|
| <b>For models:</b> | GDF3008, GDF3028, GDF5008, GDF5028 |  |  |
|--------------------|------------------------------------|--|--|




wire baskets for hot dog machines



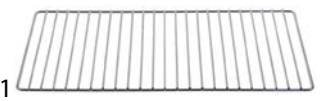
1

|                    |   |                 |        |
|--------------------|---|-----------------|--------|
| <b>Part No.</b>    | 693004  | <b>Ref. No.</b> | F04012 |
| <b>description</b> | grid basket for hot dog grill ø 180mm H 210mm |                 |        |
| <b>For models:</b> | GHM1001                                       |                 |        |




1

|                    |  |                 |        |
|--------------------|--|-----------------|--------|
| <b>Part No.</b>    | 970747   | <b>Ref. No.</b> | F01070 |
| <b>description</b> | grate W 350mm D 240mm H 7mm SS for toaster wire gauge frame 4mm lengthwise wires gauge 3mm crossing wires ROLLER GRILL |                 |        |
| <b>For models:</b> | GTO1001, GTO2001   |                 |        |



1

|                    |   |                 |                                    |
|--------------------|---|-----------------|------------------------------------|
| <b>Part No.</b>    | 970905  | <b>Ref. No.</b> | GPC1046-13<br>GPC1088-14-half size |
| <b>description</b> | grate W 365mm D 165mm H 7mm wire gauge frame 4mm lengthwise wires gauge 3mm |                 |                                    |
| <b>For models:</b> | GPC1046, GPC1088  |                 |                                    |



1


|                    |   |                 |          |
|--------------------|---|-----------------|----------|
| <b>Part No.</b>    | 970906  | <b>Ref. No.</b> | WJGA9005 |
| <b>description</b> | grate W 400mm D 345mm chrome-plated steel wire gauge frame 6mm crossing wires 4 |                 |          |
| <b>For models:</b> | GBC1002, GBC1002S, GBC1002SS, GBC1003, GBC1003S, GBC1102                        |                 |          |

shelves and shelf rails

grates


universal

without upstand



1


|                    |  |                 |          |
|--------------------|--|-----------------|----------|
| <b>Part No.</b>    | 970801   | <b>Ref. No.</b> | WJGA9008 |
| <b>description</b> | grate W 345mm D 400mm chrome-plated steel wire gauge frame 6mm lengthwise wires gauge 2.5mm crossing wires 4 Qty 1 pcs |                 |          |
| <b>For models:</b> | GBC1003, GBC1003S, GBC1003SS, GBC1103  |                 |          |



1


|                    |  |                 |          |
|--------------------|--|-----------------|----------|
| <b>Part No.</b>    | 970800   | <b>Ref. No.</b> | WJGA9002 |
| <b>description</b> | grate W 345mm D 500mm chrome-plated steel wire gauge frame 6mm lengthwise wires gauge 2.5mm crossing wires 4 Qty 1 pcs |                 |          |
| <b>For models:</b> | GBC1001, GBC1001S, GBC1001SS   |                 |          |

with upstand



1

|                    |  |                 |              |
|--------------------|--|-----------------|--------------|
| <b>Part No.</b>    | 970925   | <b>Ref. No.</b> | S14AC29A0001 |
| <b>description</b> | grate W 325mm D 570mm GN 1/1 H 55mm plastic-coated steel wire gauge frame 7.5mm lengthwise wires gauge 4mm crossing wires 3 grey |                 |              |
| <b>For models:</b> | GPS2600, GSA2600, GSD2600, GSF2600   |                 |              |



1

|                    |   |                 |                      |
|--------------------|---|-----------------|----------------------|
| <b>Part No.</b>    | 970904  | <b>Ref. No.</b> | GPC1088-14-full size |
| <b>description</b> | grate W 350mm D 295mm H 30mm chrome-plated steel wire gauge frame 4mm lengthwise wires gauge 2mm crossing wires 1 Qty 2 pcs |                 |                      |
| <b>For models:</b> | GPC1088   |                 |                      |



|                    |   |                 |              |
|--------------------|---|-----------------|--------------|
| <b>Part No.</b>    | 970795  | <b>Ref. No.</b> | 1.1.B.B25.15 |
| <b>description</b> | grate W 735mm D 235mm H 37mm chrome-plated steel wire gauge frame 8mm lengthwise wires gauge 3mm crossing wires 1 |                 |              |
| <b>For models:</b> | GCV1600   |                 |              |



|                    |   |                 |              |
|--------------------|---|-----------------|--------------|
| <b>Part No.</b>    | 970794  | <b>Ref. No.</b> | 1.1.B.B25.16 |
| <b>description</b> | grate W 735mm D 365mm H 35mm chrome-plated steel wire gauge frame 8mm lengthwise wires gauge 3mm crossing wires 1 |                 |              |
| <b>For models:</b> | GCV1600   |                 |              |

## producer-specific



|                        |  |                 |                 |
|------------------------|--|-----------------|-----------------|
| <b>Part No.</b>        | 698856                                     | <b>Ref. No.</b> | 1.1.B.B02.01.03 |
| <b>description</b>     | grate W 360mm D 305mm plastic-coated steel |                 |                 |
| <b>For models:</b>     | GGC1078B                                   |                 |                 |
| <b>accessories for</b> | 698856                                     |                 |                 |



|                    |  |                 |              |
|--------------------|--|-----------------|--------------|
| <b>Part No.</b>    | 692400   | <b>Ref. No.</b> | 1.1.C.C10.07 |
| <b>description</b> | shelf support L 28.5mm W 14mm H 17.5mm plastic Qty 1 pcs |                 |              |



|                    |  |                 |              |
|--------------------|--|-----------------|--------------|
| <b>Part No.</b>    | 698857   | <b>Ref. No.</b> | 1.1.C.C10.08 |
| <b>description</b> | shelf support L 28.5mm W 14mm H 17.5mm plastic Qty 1 pcs |                 |              |



|                    |  |                 |                 |
|--------------------|--|-----------------|-----------------|
| <b>Part No.</b>    | 970876                                     | <b>Ref. No.</b> | 1.1.B.B02.01.01 |
| <b>description</b> | grate W 360mm D 305mm plastic-coated steel |                 |                 |
| <b>For models:</b> | GGC1078                                    |                 |                 |



|                    |   |                 |                 |
|--------------------|---|-----------------|-----------------|
| <b>Part No.</b>    | 692696  | <b>Ref. No.</b> | 1.1.B.B02.04.02 |
| <b>description</b> | grate W 430mm D 390mm H 8mm plastic-coated steel refrigeration wire gauge frame 8mm lengthwise wires gauge 3.6mm crossing wires 5 black |                 |                 |
| <b>For models:</b> | GGC2270B  |                 |                 |



|                    |   |                 |                 |
|--------------------|---|-----------------|-----------------|
| <b>Part No.</b>    | 692339  | <b>Ref. No.</b> | 1.1.B.B02.04.01 |
| <b>description</b> | grate W 430mm D 390mm H 8mm plastic-coated steel refrigeration wire gauge frame 8mm lengthwise wires gauge 3.6mm crossing wires 5 white |                 |                 |
| <b>For models:</b> | GGC2270   |                 |                 |



|                    |  |                 |          |
|--------------------|--|-----------------|----------|
| <b>Part No.</b>    | 970981   | <b>Ref. No.</b> | W0402369 |
| <b>description</b> | grate W 530mm D 650mm plastic-coated steel crossing wires 2 suitable for GFR2700 |                 |          |
| <b>For models:</b> | GFR2700  |                 |          |



|                    |  |                 |          |
|--------------------|--|-----------------|----------|
| <b>Part No.</b>    | 970799   | <b>Ref. No.</b> | WJGA4078 |
| <b>description</b> | grate W 540mm D 505mm H 41mm plastic-coated steel wire gauge frame 6mm lengthwise wires gauge 3mm crossing wires 3 white Qty 1 pcs |                 |          |
| <b>For models:</b> | GSC1100G   |                 |          |




|                    |  |                 |          |
|--------------------|--|-----------------|----------|
| <b>Part No.</b>    | 970982   | <b>Ref. No.</b> | W0402040 |
| <b>description</b> | grate W 620mm D 530mm plastic-coated steel with hinge camp crossing wires 2 suitable for GRE2700 |                 |          |
| <b>For models:</b> | GRE2700  |                 |          |



|                    |  |                 |          |
|--------------------|--|-----------------|----------|
| <b>Part No.</b>    | 970980   | <b>Ref. No.</b> | W0402366 |
| <b>description</b> | grate W 630mm D 602mm plastic-coated steel crossing wires 2 suitable for GFR2700/GRE2700 |                 |          |
| <b>For models:</b> | GFR2700, GRE2700   |                 |          |




|                    |  |                 |          |
|--------------------|--|-----------------|----------|
| <b>Part No.</b>    | 970930   | <b>Ref. No.</b> | 44714000 |
| <b>description</b> | grate W 650mm D 330mm H 9mm wire gauge frame 7mm lengthwise wires gauge 3mm crossing wires 1 |                 |          |
| <b>For models:</b> | GRE3600, GRE3600S  |                 |          |

1

|                    |   |                 |          |
|--------------------|---|-----------------|----------|
| <b>Part No.</b>    | 970929  | <b>Ref. No.</b> | 44379000 |
| <b>description</b> | grate W 665mm D 560mm H 30mm wire gauge frame 7mm lengthwise wires gauge 3mm crossing wires 2 |                 |          |
| <b>For models:</b> | GFR3600S, GRE3600, GRE3600S   |                 |          |



1

|                    |  |                 |              |
|--------------------|--|-----------------|--------------|
| <b>Part No.</b>    | 692367   | <b>Ref. No.</b> | 1.1.B.B25.26 |
| <b>description</b> | rack support L 320mm H 83mm mounting pos. bottom left SS Qty 1 pcs |                 |              |
| <b>For models:</b> | GCV1600  |                 |              |

accessories



1


|                    |                            |                 |        |
|--------------------|----------------------------|-----------------|--------|
| <b>Part No.</b>    | 691917                     | <b>Ref. No.</b> | F03006 |
| <b>description</b> | grid handle L 204mm W 80mm |                 |        |
| <b>For models:</b> | GTO1001, GTO2001           |                 |        |



1

|                    |   |                 |              |
|--------------------|---|-----------------|--------------|
| <b>Part No.</b>    | 701252  | <b>Ref. No.</b> | 1.1.B.B25.35 |
| <b>description</b> | rail for grid attachment L 405mm Hmm mounting pos. left/right W 19mm SS Qty 1 pcs |                 |              |
| <b>For models:</b> | GCV1600   |                 |              |

grid attachments




1

|                    |   |                 |              |
|--------------------|---|-----------------|--------------|
| <b>Part No.</b>    | 692368  | <b>Ref. No.</b> | 1.1.B.B25.27 |
| <b>description</b> | rack support L 220mm H 83mm mounting pos. bottom right SS Qty 1 pcs |                 |              |
| <b>For models:</b> | GCV1600   |                 |              |


shelf rails and supports

producer-specific




1

|                    |  |                 |          |
|--------------------|--|-----------------|----------|
| <b>Part No.</b>    | 698870   | <b>Ref. No.</b> | LCCJ2001 |
| <b>description</b> | guide L 390mm W 25mm mounting pos. left/right inner height 4mm   |                 |          |
| <b>For models:</b> | GBC1001, GBC1001S, GBC1001SS, GBC1002, GBC1002S, GBC1002SS, GBC1003, GBC1003S, GBC1003SS, GBC1102, GBC1103 |                 |          |




1

|                    |   |                 |              |
|--------------------|---|-----------------|--------------|
| <b>Part No.</b>    | 692365  | <b>Ref. No.</b> | 1.1.B.B25.28 |
| <b>description</b> | rack support L 220mm H 83mm mounting pos. upper left SS Qty 1 pcs |                 |              |
| <b>For models:</b> | GCV1600   |                 |              |



1


|                        |   |                 |          |
|------------------------|---|-----------------|----------|
| <b>Part No.</b>        | 701643  | <b>Ref. No.</b> | 80037407 |
| <b>description</b>     | guide U-shape L 620mm W 15mm H 20mm mounting pos. left for GFR2700/GRE2700  |                 |          |
| <b>For models:</b>     | GFR2700, GRE2700  |                 |          |
| <b>accessories for</b> | 701643  |                 |          |
|                        | <b>Part No.</b>   | <b>Ref. No.</b> | 80037408 |
|                        | 701644  |                 |          |
|                        | guide U-shape L 620mm W 15mm H 20mm mounting pos. right for GFR2700/GRE2700 |                 |          |




1


|                    |  |                 |              |
|--------------------|--|-----------------|--------------|
| <b>Part No.</b>    | 692366   | <b>Ref. No.</b> | 1.1.B.B25.29 |
| <b>description</b> | rack support L 220mm H 83mm mounting pos. upper right SS Qty 1 pcs |                 |              |
| <b>For models:</b> | GCV1600  |                 |              |



1

|   |   |                 |                 |
|---|---|-----------------|-----------------|
| <b>Part No.</b>   | 701644  | <b>Ref. No.</b> | 80037408        |
| <b>description</b>  | guide U-shape L 620mm W 15mm H 20mm mounting pos. right for GFR2700/GRE2700 |                 |                 |
| <b>For models:</b>  | GFR2700, GRE2700  |                 |                 |
| <b>accessories for</b>  | 701644  |                 |                 |
|   | <b>Part No.</b>   | <b>Ref. No.</b> | <b>80037407</b> |
|  | guide U-shape L 620mm W 15mm H 20mm mounting pos. left for GFR2700/GRE2700  |                 |                 |




1

|                    |   |                 |          |
|--------------------|---|-----------------|----------|
| <b>Part No.</b>    | 699231                                  | <b>Ref. No.</b> | I0402137 |
| <b>description</b> | guide white L 1350mm W 20mm H 5mm Qty 1 |                 |          |
| <b>For models:</b> | GRE3600, GRE3600S                       |                 |          |




1

|                    |   |                 |              |
|--------------------|---|-----------------|--------------|
| <b>Part No.</b>    | 696443  | <b>Ref. No.</b> | KITGD4AC2A00 |
| <b>description</b> | pair of setting bar U-shape L 548mm W 20mm inner height 13mm mounting pos. left/right |                 |              |
| <b>For models:</b> | GPS2600, GSA2600, GSD2600, GSF2600  |                 |              |




1

|                    |   |                 |              |
|--------------------|---|-----------------|--------------|
| <b>Part No.</b>    | 701550  | <b>Ref. No.</b> | S24AC29A0002 |
| <b>description</b> | rack L 244mm W 50mm H 8mm mounting pos. front |                 |              |
| <b>For models:</b> | GPS2600, GSA2600, GSD2600, GSF2600            |                 |              |




1

|                    |   |                 |              |
|--------------------|---|-----------------|--------------|
| <b>Part No.</b>    | 701548  | <b>Ref. No.</b> | S24AC29A0004 |
| <b>description</b> | rack L 245mm W 40mm H 30mm mounting pos. left |                 |              |
| <b>For models:</b> | GPS2600, GSA2600, GSD2600, GSF2600            |                 |              |






1

|                    |  |                 |              |
|--------------------|--|-----------------|--------------|
| <b>Part No.</b>    | 701549   | <b>Ref. No.</b> | S24AC29A0005 |
| <b>description</b> | rack L 245mm W 40mm H 30mm mounting pos. right |                 |              |
| <b>For models:</b> | GPS2600, GSA2600, GSD2600, GSF2600             |                 |              |




1

|   |  |                 |                 |
|---|--|-----------------|-----------------|
| <b>Part No.</b>   | 699585   | <b>Ref. No.</b> | 80037402        |
| <b>description</b>  | rack L 985mm W 57mm H 38mm mounting pos. left/right aperture 15x15mm hole distance 55mm 18 holes for GFR2700/GRE2700 |                 |                 |
| <b>For models:</b>  | GFR2700, GRE2700   |                 |                 |
| <b>accessories for</b>  | 699585   |                 |                 |
|   | <b>Part No.</b>  | <b>Ref. No.</b> | <b>80037407</b> |
|    | guide U-shape L 620mm W 15mm H 20mm mounting pos. left for GFR2700/GRE2700   |                 |                 |
|   | <b>Part No.</b>  | <b>Ref. No.</b> | <b>80037408</b> |
|  | guide U-shape L 620mm W 15mm H 20mm mounting pos. right for GFR2700/GRE2700  |                 |                 |




1

|                    |  |                 |          |
|--------------------|--|-----------------|----------|
| <b>Part No.</b>    | 692398   | <b>Ref. No.</b> | LCCK0002 |
| <b>description</b> | shelf support L 24mm W 9mm H 29mm aluminium for fridge Qty 1 pcs   |                 |          |
| <b>For models:</b> | GBC1001, GBC1001S, GBC1001SS, GBC1002, GBC1002S, GBC1002SS, GBC1003, GBC1003S, GBC1003SS, GBC1102, GBC1103 |                 |          |




1


|                    |  |                 |              |
|--------------------|--|-----------------|--------------|
| <b>Part No.</b>    | 692400   | <b>Ref. No.</b> | 1.1.C.C10.07 |
| <b>description</b> | shelf support L 28.5mm W 14mm H 17.5mm plastic Qty 1 pcs |                 |              |
| <b>For models:</b> | GGC1078  |                 |              |

|                    |  |                 |              |
|--------------------|--|-----------------|--------------|
| <b>Part No.</b>    | 698857   | <b>Ref. No.</b> | 1.1.C.C10.08 |
| <b>description</b> | shelf support L 28.5mm W 14mm H 17.5mm plastic Qty 1 pcs |                 |              |
| <b>For models:</b> | GGC1078B   |                 |              |



|                    |  |                 |              |
|--------------------|--|-----------------|--------------|
| <b>Part No.</b>    | 692408   | <b>Ref. No.</b> | 1.1.C.C10.09 |
| <b>description</b> | shelf support L 38.5mm W 14mm H 18mm plastic Qty 1 pcs |                 |              |
| <b>For models:</b> | GGC2270  |                 |              |



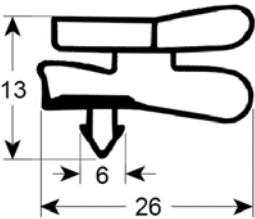
|                    |  |                 |              |
|--------------------|--|-----------------|--------------|
| <b>Part No.</b>    | 699416   | <b>Ref. No.</b> | 1.1.C.C10.10 |
| <b>description</b> | shelf support L 38.5mm W 14mm H 18mm plastic Qty 1 pcs |                 |              |
| <b>For models:</b> | GGC2270B   |                 |              |

## gaskets

### refrigeration gaskets

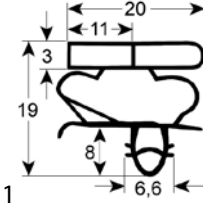
#### plug-in gaskets

##### profile 9149



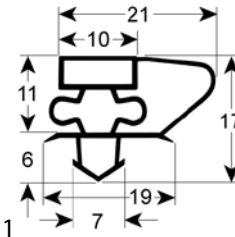
|                    |   |                 |              |
|--------------------|---|-----------------|--------------|
| <b>Part No.</b>    | 902216  | <b>Ref. No.</b> | R04AC22A0002 |
| <b>description</b> | refrigeration gasket profile 9149 W 385mm L 480mm plug size |                 |              |
| <b>For models:</b> | GPS2600, GSA2600, GSD2600, GSF2600                          |                 |              |

##### profile 9058



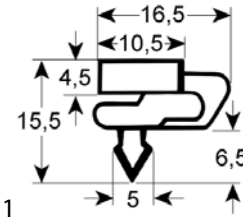
|                    |  |                 |          |
|--------------------|--|-----------------|----------|
| <b>Part No.</b>    | 902395   | <b>Ref. No.</b> | 44404000 |
| <b>description</b> | refrigeration gasket profile 9058 W 770mm L 1810mm plug size Qty 1 |                 |          |
| <b>For models:</b> | GFR3600S, GRE3600, GRE3600S  |                 |          |

##### profile 9750

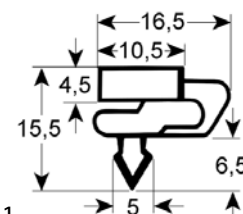


|                    |  |                 |          |
|--------------------|--|-----------------|----------|
| <b>Part No.</b>    | 902514   | <b>Ref. No.</b> | W0404514 |
| <b>description</b> | refrigeration gasket profile 9750 W 660mm L 1537mm plug size |                 |          |
| <b>For models:</b> | GFR2700, GRE2700   |                 |          |

##### profile 9156



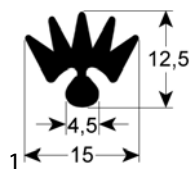
|                    |   |                 |          |
|--------------------|---|-----------------|----------|
| <b>Part No.</b>    | 901662  | <b>Ref. No.</b> | SLJP4007 |
| <b>description</b> | door seal profile 9156 W 569mm L 1295mm plug size Qty 1 pcs |                 |          |
| <b>For models:</b> | GSC1100G  |                 |          |



|                    |  |                 |          |
|--------------------|--|-----------------|----------|
| <b>Part No.</b>    | 901648   | <b>Ref. No.</b> | SLJP2010 |
| <b>description</b> | refrigeration gasket profile 9156 W 595mm L 1340mm plug size Qty 1 pcs |                 |          |
| <b>For models:</b> | GSC2336  |                 |          |



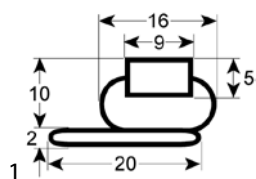
## profile 9930



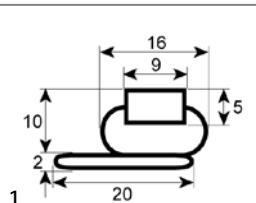
|                    |   |                 |             |
|--------------------|---|-----------------|-------------|
| <b>Part No.</b>    | 901645  | <b>Ref. No.</b> | 1.1.C.63.69 |
| <b>description</b> | refrigeration gasket profile 9930 Wmm L 746mm plug size |                 |             |
| <b>For models:</b> | GCV1600   |                 |             |

## screw-in gaskets

### profile 9968

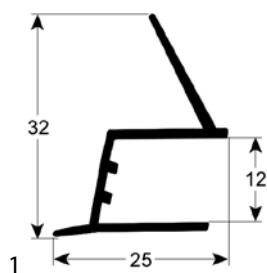


|                    |  |                 |             |
|--------------------|--|-----------------|-------------|
| <b>Part No.</b>    | 901649   | <b>Ref. No.</b> | 1.1.E.E1.35 |
| <b>description</b> | refrigeration gasket profile 9968 W 418mm L 658mm external size with metal reinforcement Qty 1 pcs |                 |             |
| <b>For models:</b> | GGC1078B   |                 |             |

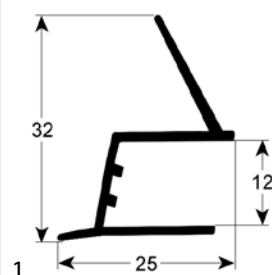


|                    |   |                 |             |
|--------------------|---|-----------------|-------------|
| <b>Part No.</b>    | 901650  | <b>Ref. No.</b> | 1.1.E.E1.25 |
| <b>description</b> | refrigeration gasket profile 9968 W 515mm L 1390mm external size with metal reinforcement Qty 1 pcs |                 |             |
| <b>For models:</b> | GGC2270   |                 |             |

### profile 9910



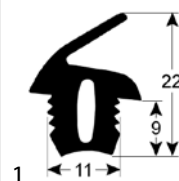
|                    |  |                 |              |
|--------------------|--|-----------------|--------------|
| <b>Part No.</b>    | 901651   | <b>Ref. No.</b> | 1.1.C.C63.67 |
| <b>description</b> | refrigeration gasket profile 9910 Wmm L 735mm external size Qty 1 mounting pos. left |                 |              |
| <b>For models:</b> | GCV1600  |                 |              |



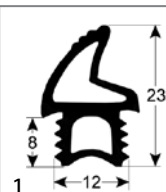
|                    |   |                 |              |
|--------------------|---|-----------------|--------------|
| <b>Part No.</b>    | 901646  | <b>Ref. No.</b> | 1.1.C.C63.76 |
| <b>description</b> | refrigeration gasket profile 9910 Wmm L 735mm external size Qty 1 mounting pos. right |                 |              |
| <b>For models:</b> | GCV1600   |                 |              |

## gaskets for heated units

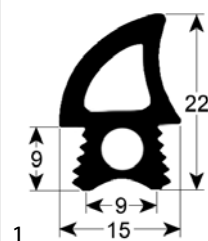
### door seals



|                    |                                 |                 |          |
|--------------------|---------------------------------|-----------------|----------|
| <b>Part No.</b>    | 902446                          | <b>Ref. No.</b> | GUA30015 |
| <b>description</b> | door seal profile 2718 L 5500mm |                 |          |
| <b>For models:</b> | GCO500                          |                 |          |



|                    |   |                 |          |
|--------------------|---|-----------------|----------|
| <b>Part No.</b>    | 902497  | <b>Ref. No.</b> | 01000770 |
| <b>description</b> | door seal profile 2764 L 1020mm suitable for TECNOEKA |                 |          |
| <b>For models:</b> | GCO2001   |                 |          |



|                    |   |                 |          |
|--------------------|---|-----------------|----------|
| <b>Part No.</b>    | 902419  | <b>Ref. No.</b> | 01000810 |
| <b>description</b> | door seal profile 2767 L 1780mm suitable for TECNOEKA |                 |          |
| <b>For models:</b> | GCO2001   |                 |          |



O-rings

EPDM

ø1.50mm

1

|                    |  |                 |      |
|--------------------|--|-----------------|------|
| <b>Part No.</b>    | 532648   | <b>Ref. No.</b> | 2859 |
| <b>description</b> | O-ring EPDM thickness 1.5mm ID ø 5mm Qty 1 pcs |                 |      |
| <b>For models:</b> | GSM1000  |                 |      |

ø3.00mm

1

|                    |  |                 |          |
|--------------------|--|-----------------|----------|
| <b>Part No.</b>    | 510955                                       | <b>Ref. No.</b> | 00002001 |
| <b>description</b> | O-ring EPDM thickness 3mm ID ø 6mm Qty 1 pcs |                 |          |
| <b>For models:</b> | GCO2001                                      |                 |          |

ø5.34mm

1

|                    |   |                 |        |
|--------------------|---|-----------------|--------|
| <b>Part No.</b>    | 521120  | <b>Ref. No.</b> | 907981 |
| <b>description</b> | O-ring EPDM thickness 5.34mm ID ø 37.47mm Qty 1 pcs |                 |        |
| <b>For models:</b> | GDW2001   |                 |        |

miscellaneous

1

|                    |   |                 |        |
|--------------------|---|-----------------|--------|
| <b>Part No.</b>    | 532647  | <b>Ref. No.</b> | 900970 |
| <b>description</b> | O-ring EPDM thickness 1.8mm ID ø 11.8mm Qty 1 pcs |                 |        |
| <b>For models:</b> | GJU1001   |                 |        |

sealing washers

rubber gaskets

1

|                    |  |                 |        |
|--------------------|--|-----------------|--------|
| <b>Part No.</b>    | 519114   | <b>Ref. No.</b> | 903260 |
| <b>description</b> | flat gasket rubber ED ø 25mm ID ø 16.5mm thickness 2mm Qty 1 pcs |                 |        |
| <b>For models:</b> | GDW2001  |                 |        |

shaft gaskets

shaft gaskets

1

|                    |  |                 |             |
|--------------------|--|-----------------|-------------|
| <b>Part No.</b>    | 697475                                       | <b>Ref. No.</b> | 00000012671 |
| <b>description</b> | shaft seal ID ø 20mm ED ø 30mm thickness 5mm |                 |             |
| <b>For models:</b> | GFS1025                                      |                 |             |

1

|                    |   |                 |      |
|--------------------|---|-----------------|------|
| <b>Part No.</b>    | 698383  | <b>Ref. No.</b> | 0632 |
| <b>description</b> | shaft sealing ID ø 4mm ED ø 12mm for hand blender H 6.3mm |                 |      |
| <b>For models:</b> | GSM1000   |                 |      |

miscellaneous

1

|                    |                             |                 |        |
|--------------------|-----------------------------|-----------------|--------|
| <b>Part No.</b>    | 511953                      | <b>Ref. No.</b> | 900871 |
| <b>description</b> | seal kit for citrus juicers |                 |        |
| <b>For models:</b> | GJU1001                     |                 |        |

special gaskets

for microwaves

1


|                    |   |                 |              |
|--------------------|---|-----------------|--------------|
| <b>Part No.</b>    | 901698  | <b>Ref. No.</b> | 593219000016 |
| <b>description</b> | gasket L 330mm W 325mm silicone for ceramic plate Qty 1 pcs |                 |              |
| <b>For models:</b> | GMW1025   |                 |              |

miscellaneous

1

|                    |                                    |                 |           |
|--------------------|------------------------------------|-----------------|-----------|
| <b>Part No.</b>    | 698545                             | <b>Ref. No.</b> | 3.0000404 |
| <b>description</b> | gasket ED ø 31mm ID ø 21mm         |                 |           |
| <b>For models:</b> | GDF3008, GDF3028, GDF5008, GDF5028 |                 |           |



|   |  |                 |           |
|---|--|-----------------|-----------|
|  |  |                 |           |
| 1   |  |                 |           |
| <b>Part No.</b>   | 698543                                       | <b>Ref. No.</b> | 3.0000403 |
| <b>description</b>  | gasket external high 4mm ED ø 25mm ID ø 16mm |                 |           |
| <b>For models:</b>  | GDF3008, GDF3028, GDF5008, GDF5028           |                 |           |

**gaskets for wash arm support**


|   |   |                 |        |
|---|---|-----------------|--------|
|  |   |                 |        |
| 1   |   |                 |        |
| <b>Part No.</b>   | 519445  | <b>Ref. No.</b> | 908141 |
| <b>description</b>  | gasket D1 ø 80mm D2 ø 50mm thickness 3mm with 4 screw holes |                 |        |
| <b>For models:</b>  | GDW2001   |                 |        |

**refrigeration cycle components**

**valves**

**Schrader valves**

**Schrader valves (complete)**

|  |  |                 |         |
|--|--|-----------------|---------|
|  |  |                 |         |
| 1  |  |                 |         |
| <b>Part No.</b>  | 750636                                   | <b>Ref. No.</b> | S900.42 |
| <b>description</b>   | Schrader valve complete connection 1/4\" |                 |         |
| <b>For models:</b>   | GHS1600, GHS2600                         |                 |         |

**filter driers**


**accessories**

**holders**


|   |   |                 |          |
|---|---|-----------------|----------|
|  |   |                 |          |
| 1   |   |                 |          |
| <b>Part No.</b>   | 699297  | <b>Ref. No.</b> | SLJAC008 |
| <b>description</b>  | bracket L 40mm W 30mm H 31mm ID ø 18mm ED ø 22mm for dryer  |                 |          |
| <b>For models:</b>  | GBC1001, GBC1001S, GBC1001SS, GBC1002, GBC1002S, GBC1002SS, GBC1003, GBC1003S, GBC1003SS, GBC1102, GBC1103, GSC1100G, GSC2336 |                 |          |

**miscellaneous**


|  |   |                 |          |
|--|---|-----------------|----------|
|  |   |                 |          |
| 1  |   |                 |          |
| <b>Part No.</b>  | 750381  | <b>Ref. No.</b> | TCGV0002 |
| <b>description</b>   | dryer ø 18.5mm L 115.5mm connection 2,4/5,2mm Qty 1 pcs   |                 |          |
| <b>For models:</b>   | GBC1001, GBC1001S, GBC1001SS, GBC1002, GBC1002S, GBC1002SS, GBC1003, GBC1003S, GBC1003SS, GBC1102, GBC1103, GSC2336 |                 |          |



|  |   |                 |              |
|--|---|-----------------|--------------|
|  |   |                 |              |
| 1  |   |                 |              |
| <b>Part No.</b>  | 750693  | <b>Ref. No.</b> | 1.1.A.A04.01 |
| <b>description</b>   | dryer ø 19mm L 120.5mm connection 2/5mm Qty 1 pcs |                 |              |
| <b>For models:</b>   | GCV1600, GGC1078, GGC1078B                        |                 |              |

|  |  |                 |                              |
|--|--|-----------------|------------------------------|
|  |  |                 |                              |
| 1  |  |                 |                              |
| <b>Part No.</b>  | 750378   | <b>Ref. No.</b> | C01AE66A0001<br>C04AC26A0001 |
| <b>description</b>   | dryer ø 19mm L 145mm connection 4,5/8mm type XH9 Qty 1 pcs |                 |                              |
| <b>For models:</b>   | GDS2600, GPS2600, GSA2600, GSD2600, GSF2600                |                 |                              |

|  |   |                 |          |
|--|---|-----------------|----------|
|  |   |                 |          |
| 1  |   |                 |          |
| <b>Part No.</b>  | 750748  | <b>Ref. No.</b> | W0204101 |
| <b>description</b>   | dryer ø 19mm L 166mm connection 2,7/5,2 for GFR2700/GRE2700 |                 |          |
| <b>For models:</b>   | GFR2700, GRE2700  |                 |          |

|  |   |                 |              |
|--|---|-----------------|--------------|
|  |   |                 |              |
| 1  |   |                 |              |
| <b>Part No.</b>  | 750694  | <b>Ref. No.</b> | 1.1.A.A04.06 |
| <b>description</b>   | dryer ø 25mm L 144mm connection 6/8mm Qty 1 pcs |                 |              |
| <b>For models:</b>   | GGC2270, GGC2270B                               |                 |              |

|  |  |                 |         |
|--|--|-----------------|---------|
|  |  |                 |         |
| 1  |  |                 |         |
| <b>Part No.</b>  | 750324   | <b>Ref. No.</b> | S900.44 |
| <b>description</b>   | dryer size 20g ø 23mm L 117mm connection 4,8/8,3mm |                 |         |
| <b>For models:</b>   | GHS1600, GHS2600                                   |                 |         |

|  |   |                 |                   |
|--|---|-----------------|-------------------|
|  |   |                 |                   |
| 1  |   |                 |                   |
| <b>Part No.</b>  | 750382  | <b>Ref. No.</b> | TCGV0009          |
| <b>description</b>   | dryer ø 18.5mm L 120mm connection 4/7mm Qty 1 pcs |                 |                   |
| <b>For models:</b>   | GSC1100G  |                 |                   |
| <b>accessories for</b>   | 750382  |                 |                   |
|   | <b>Part No.</b>                                   | 694868          | <b>Ref. No.</b> — |
|  | bracket for dryer L 40mm W 30mm H 31mm Qty 1 pcs  |                 |                   |





refrigeration pipes

copper pipes uninsulated



|                    |  |                 |        |
|--------------------|--|-----------------|--------|
| 1                  |  |                 |        |
| <b>Part No.</b>    | 694931                                     | <b>Ref. No.</b> | VRX.15 |
| <b>description</b> | capillary pipe ID ø 0.8mm L 2340m ED ø 2mm |                 |        |
| <b>For models:</b> | GHS1600, GHS2600                           |                 |        |



|                    |   |                 |              |
|--------------------|---|-----------------|--------------|
| 1                  |   |                 |              |
| <b>Part No.</b>    | 692407  | <b>Ref. No.</b> | 1.1.B.B06.21 |
| <b>description</b> | copper pipe copper ID ø 3.8mm L 0.1m ED ø 4.8mm Qty 1 pcs |                 |              |
| <b>For models:</b> | GGC2270, GGC2270B   |                 |              |



|                    |  |                 |          |
|--------------------|--|-----------------|----------|
| 1                  |  |                 |          |
| <b>Part No.</b>    | 692730   | <b>Ref. No.</b> | TCGO3004 |
| <b>description</b> | copper pipe ID ø 4mm L 0.095m ED ø 6mm                 |                 |          |
| <b>For models:</b> | GBC1002, GBC1002S, GBC1003, GBC1003S, GBC1102, GBC1103 |                 |          |



|                    |  |                 |              |
|--------------------|--|-----------------|--------------|
| 1                  |  |                 |              |
| <b>Part No.</b>    | 692418   | <b>Ref. No.</b> | 1.1.B.B06.26 |
| <b>description</b> | refrigeration pipe copper ID ø 5mm L 1m ED ø 6mm Qty 1 |                 |              |
| <b>For models:</b> | GCV1600, GGC1078, GGC1078B, GGC2270, GGC2270B          |                 |              |



|                    |   |                 |          |
|--------------------|---|-----------------|----------|
| 1                  |   |                 |          |
| <b>Part No.</b>    | 692872  | <b>Ref. No.</b> | W0210284 |
| <b>description</b> | refrigeration pipe ID ø 2/3mm L 0.4m refrigeration ED ø 5mm GFR2700 |                 |          |
| <b>For models:</b> | GFR2700   |                 |          |



|                    |  |                 |          |
|--------------------|--|-----------------|----------|
| 1                  |  |                 |          |
| <b>Part No.</b>    | 692871   | <b>Ref. No.</b> | W0210452 |
| <b>description</b> | refrigeration pipe ID ø 3/7mm L 0.38m refrigeration ED ø 6/8mm GFR2700 |                 |          |
| <b>For models:</b> | GFR2700  |                 |          |



|                    |   |                 |          |
|--------------------|---|-----------------|----------|
| 1                  |   |                 |          |
| <b>Part No.</b>    | 692874  | <b>Ref. No.</b> | W0210412 |
| <b>description</b> | refrigeration pipe ID ø 5.5mm L 0.3m refrigeration ED ø 6.5mm GFR2700 |                 |          |
| <b>For models:</b> | GFR2700   |                 |          |



|                    |  |                 |          |
|--------------------|--|-----------------|----------|
| 1                  |  |                 |          |
| <b>Part No.</b>    | 692876   | <b>Ref. No.</b> | W0210411 |
| <b>description</b> | refrigeration pipe ID ø 5mm L 0.28m refrigeration ED ø 6.5mm GFR2700 |                 |          |
| <b>For models:</b> | GFR2700  |                 |          |



|                    |  |                 |          |
|--------------------|--|-----------------|----------|
| 1                  |  |                 |          |
| <b>Part No.</b>    | 692875   | <b>Ref. No.</b> | W0210416 |
| <b>description</b> | refrigeration pipe ID ø 6,5/7,5mm L 0.38m refrigeration ED ø 7,5/8,5mm GRE2700 |                 |          |
| <b>For models:</b> | GRE2700  |                 |          |




|                    |  |                 |          |
|--------------------|--|-----------------|----------|
| 1                  |  |                 |          |
| <b>Part No.</b>    | 692873   | <b>Ref. No.</b> | W0210282 |
| <b>description</b> | refrigeration pipe ID ø 6.5mm L 0.36m refrigeration ED ø 8mm GFR2700 |                 |          |
| <b>For models:</b> | GFR2700  |                 |          |

|                        |        |                 |          |
|------------------------|--------|-----------------|----------|
| <b>accessories for</b> | 692873 |                 |          |
| <b>Part No.</b>        | 696787 | <b>Ref. No.</b> | W0208009 |

|   |  |  |  |
|---|--|--|--|
|  | T-piece copper ID ø 4.5mm ED ø 6mm refrigeration for GFR2700 |  |  |
|---|--|--|--|



1 

|                    |  |                 |          |
|--------------------|--|-----------------|----------|
| <b>Part No.</b>    | 692877   | <b>Ref. No.</b> | W0210417 |
| <b>description</b> | refrigeration pipe ID $\varnothing$ 6/7mm L 0.41m refrigeration ED $\varnothing$ 7/8mm GRE2700 |                 |          |
| <b>For models:</b> | GRE2700  |                 |          |

## copper pipes insulated

1 

|   |   |                 |                 |           |
|---|---|-----------------|-----------------|-----------|
| <b>Part No.</b>   | 696789  | <b>Ref. No.</b> | W0210413        |           |
| <b>description</b>  | copper pipe with insulation pipe $\varnothing$ 6 for fridge GFR2700/GRE2700   |                 |                 |           |
| <b>For models:</b>  | GFR2700, GRE2700  |                 |                 |           |
| <b>accessories for</b>  | 696789  |                 |                 |           |
|  | <b>Part No.</b>   | 692867          | <b>Ref. No.</b> | W04102051 |
|   | cover $\varnothing$ 20mm L 400mm W 43mm plastic Qty 1 pcs for GFR2700/GRE2700 |                 |                 |           |
|  | <b>Part No.</b>   | 692870          | <b>Ref. No.</b> | W0413062  |
|   | rubber pad L 40mm W 17mm H 30mm for GFR2700/GRE2700                           |                 |                 |           |


1 



|                    |  |                 |          |
|--------------------|--|-----------------|----------|
| <b>Part No.</b>    | 699570   | <b>Ref. No.</b> | W0210414 |
| <b>description</b> | refrigeration pipe pipe $\varnothing$ 8 L 1700mm GFR2700 |                 |          |
| <b>For models:</b> | GFR2700  |                 |          |

1 

|                    |  |                 |          |
|--------------------|--|-----------------|----------|
| <b>Part No.</b>    | 699572   | <b>Ref. No.</b> | W0210418 |
| <b>description</b> | refrigeration pipe pipe $\varnothing$ 8 L 1700mm GRE2700 |                 |          |
| <b>For models:</b> | GRE2700  |                 |          |

## connections

1 

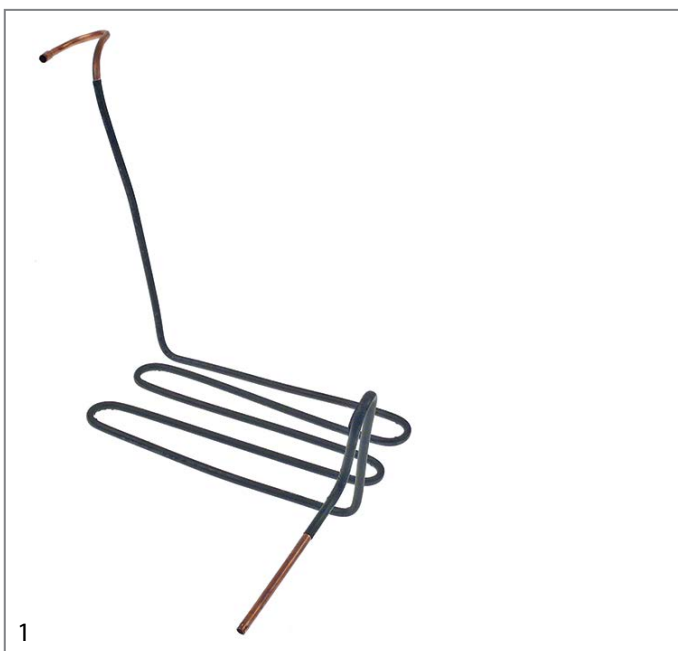
|   |   |                 |                 |          |
|---|---|-----------------|-----------------|----------|
| <b>Part No.</b>   | 696787  | <b>Ref. No.</b> | W0208009        |          |
| <b>description</b>  | T-piece copper ID $\varnothing$ 4.5mm ED $\varnothing$ 6mm refrigeration for GFR2700                              |                 |                 |          |
| <b>For models:</b>  | GFR2700   |                 |                 |          |
| <b>accessories for</b>  | 696787  |                 |                 |          |
|  | <b>Part No.</b>   | 374110          | <b>Ref. No.</b> | W0205011 |
|   | solenoid valve type FDF2AT connection 6mm soldering connection L 143mm pipe connection $\varnothing$ 6mm 220-240V |                 |                 |          |
|  | <b>Part No.</b>   | 692873          | <b>Ref. No.</b> | W0210282 |
|   | refrigeration pipe ID $\varnothing$ 6.5mm L 0.36m refrigeration ED $\varnothing$ 8mm GFR2700                      |                 |                 |          |



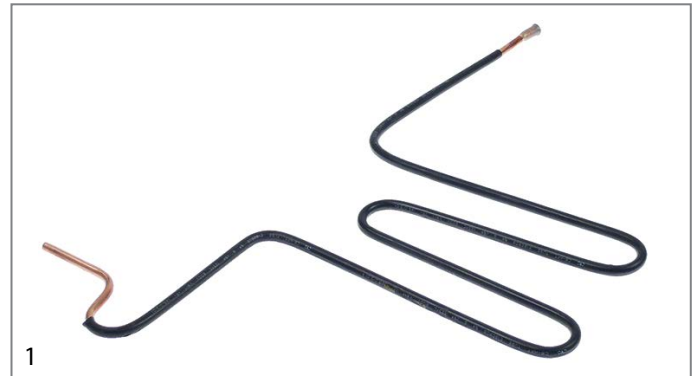
heating tubes



|                    |   |                 |              |
|--------------------|---|-----------------|--------------|
| <b>Part No.</b>    | 701583                                  | <b>Ref. No.</b> | C04AC26A0002 |
| <b>description</b> | heater ED ø 6mm ID ø 3mm L 260mm copper |                 |              |
| <b>For models:</b> | GPS2600, GSA2600, GSD2600, GSF2600      |                 |              |



|                    |   |                 |          |
|--------------------|---|-----------------|----------|
| <b>Part No.</b>    | 701495  | <b>Ref. No.</b> | TCGD4010 |
| <b>description</b> | heater ED ø 6mm ID ø 5mm Qty 1m for evaporator connection ø 6mm |                 |          |
| <b>For models:</b> | GSC1100G  |                 |          |



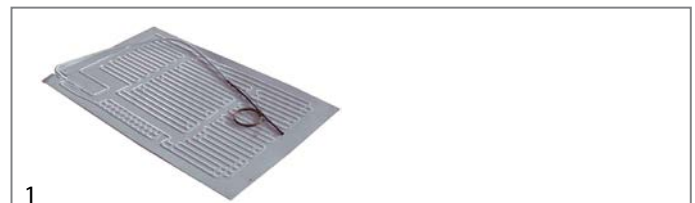
|                    |   |                 |          |
|--------------------|---|-----------------|----------|
| <b>Part No.</b>    | 701582  | <b>Ref. No.</b> | TCGD2001 |
| <b>description</b> | heater pipe ED ø 5mm ID ø 3mm L 355mm H 250mm |                 |          |
| <b>For models:</b> | GBC1001, GBC1001S, GBC1001SS                  |                 |          |

evaporators  
for fridges

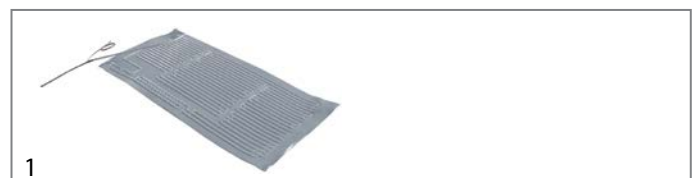
producer-specific




|                    |   |                 |          |
|--------------------|---|-----------------|----------|
| <b>Part No.</b>    | 750387  | <b>Ref. No.</b> | TLZA9000 |
| <b>description</b> | evaporator for fridge GBC1001 L 430mm W 500mm |                 |          |
| <b>For models:</b> | GBC1001, GBC1001S, GBC1001SS                  |                 |          |



|                    |   |                 |          |
|--------------------|---|-----------------|----------|
| <b>Part No.</b>    | 750376  | <b>Ref. No.</b> | TLZD9001 |
| <b>description</b> | evaporator for fridge GBC1002 L 760mm W 500mm |                 |          |
| <b>For models:</b> | GBC1002, GBC1002S, GBC1002SS, GBC1102         |                 |          |




|                    |  |                 |          |
|--------------------|--|-----------------|----------|
| <b>Part No.</b>    | 750377                                 | <b>Ref. No.</b> | TLZD9002 |
| <b>description</b> | evaporator for fridge L 1000mm W 500mm |                 |          |
| <b>For models:</b> | GBC1003, GBC1003S, GBC1003SS, GBC1103  |                 |          |


1

|                    |                                   |                 |              |
|--------------------|-----------------------------------|-----------------|--------------|
| <b>Part No.</b>    | 750352                            | <b>Ref. No.</b> | 1.1.A.A10.27 |
| <b>description</b> | evaporator L 250mm W 50mm H 117mm |                 |              |
| <b>For models:</b> | GGC1078, GGC1078B                 |                 |              |



1

|                    |                                  |                 |            |
|--------------------|----------------------------------|-----------------|------------|
| <b>Part No.</b>    | 750629                           | <b>Ref. No.</b> | GPC1088-02 |
| <b>description</b> | evaporator L 320mm W 320mm H 5mm |                 |            |
| <b>For models:</b> | GPC1088                          |                 |            |



1

|                    |   |                 |              |
|--------------------|---|-----------------|--------------|
| <b>Part No.</b>    | 750350  | <b>Ref. No.</b> | 1.1.A.A10.40 |
| <b>description</b> | evaporator L 345mm W 100mm H 215mm total length 345mm overall width 100mm overall height 240mm for fridge |                 |              |
| <b>For models:</b> | GGC2270, GGC2270B   |                 |              |




1

|   |  |                 |                 |          |
|---|--|-----------------|-----------------|----------|
| <b>Part No.</b>   | 750744   | <b>Ref. No.</b> | W0202112        |          |
| <b>description</b>  | evaporator L 404mm W 175mm H 142mm GFR2700                             |                 |                 |          |
| <b>For models:</b>  | GFR2700  |                 |                 |          |
| <b>accessories for</b>  | 750744   |                 |                 |          |
|  | <b>Part No.</b>  | 699574          | <b>Ref. No.</b> | 81131204 |
|   | cover front for evaporator L 598mm W 295mm H 65mm for GFR2700/ GRE2700 |                 |                 |          |
|  | <b>Part No.</b>  | 699577          | <b>Ref. No.</b> | 80021203 |
|   | cover left for evaporator L 255mm W 155mm H 15mm for GFR2700/ GRE2700  |                 |                 |          |
|  | <b>Part No.</b>  | 699578          | <b>Ref. No.</b> | 80021204 |
|   | cover right for evaporator L 255mm W 155mm H 15mm for GFR2700/ GRE2700 |                 |                 |          |




1

|                    |  |                 |              |
|--------------------|--|-----------------|--------------|
| <b>Part No.</b>    | 750371   | <b>Ref. No.</b> | 1.1.A.A10.23 |
| <b>description</b> | evaporator L 545mm W 50mm H 110mm total length 600mm overall width 50mm overall height 123mm |                 |              |
| <b>For models:</b> | GCV1600  |                 |              |



1

|                    |                                    |                 |          |
|--------------------|------------------------------------|-----------------|----------|
| <b>Part No.</b>    | 750660                             | <b>Ref. No.</b> | TLZA4003 |
| <b>description</b> | evaporator L 620mm W 225mm H 160mm |                 |          |



1

|                    |                                    |                 |          |
|--------------------|------------------------------------|-----------------|----------|
| <b>Part No.</b>    | 750375                             | <b>Ref. No.</b> | TLZA4004 |
| <b>description</b> | evaporator L 760mm W 140mm H 225mm |                 |          |



1

|   |  |                 |                 |          |
|---|--|-----------------|-----------------|----------|
| <b>Part No.</b>   | 750743   | <b>Ref. No.</b> | W0202117        |          |
| <b>description</b>  | evaporator W 150mm H 135mm L 300mm GRE2700                             |                 |                 |          |
| <b>For models:</b>  | GRE2700  |                 |                 |          |
| <b>accessories for</b>  | 750743   |                 |                 |          |
|  | <b>Part No.</b>  | 699574          | <b>Ref. No.</b> | 81131204 |
|   | cover front for evaporator L 598mm W 295mm H 65mm for GFR2700/ GRE2700 |                 |                 |          |
|  | <b>Part No.</b>  | 699577          | <b>Ref. No.</b> | 80021203 |
|   | cover left for evaporator L 255mm W 155mm H 15mm for GFR2700/ GRE2700  |                 |                 |          |
|  | <b>Part No.</b>  | 699578          | <b>Ref. No.</b> | 80021204 |
|   | cover right for evaporator L 255mm W 155mm H 15mm for GFR2700/ GRE2700 |                 |                 |          |





accessories

miscellaneous



|                    |  |                 |          |
|--------------------|--|-----------------|----------|
| <b>Part No.</b>    | 692868                                       | <b>Ref. No.</b> | W0409079 |
| <b>description</b> | cover for evaporator plastic GFR2700/GRE2700 |                 |          |
| <b>For models:</b> | GFR2700, GRE2700                             |                 |          |

condensors

filters



|                    |  |                 |              |
|--------------------|--|-----------------|--------------|
| <b>Part No.</b>    | 699402   | <b>Ref. No.</b> | P04AC28A0002 |
| <b>description</b> | filter for condenser L 218mm W 230mm thickness 6mm Qty 1 pcs |                 |              |
| <b>For models:</b> | GDS2600, GPS2600, GSA2600, GSD2600, GSF2600                  |                 |              |

condensors



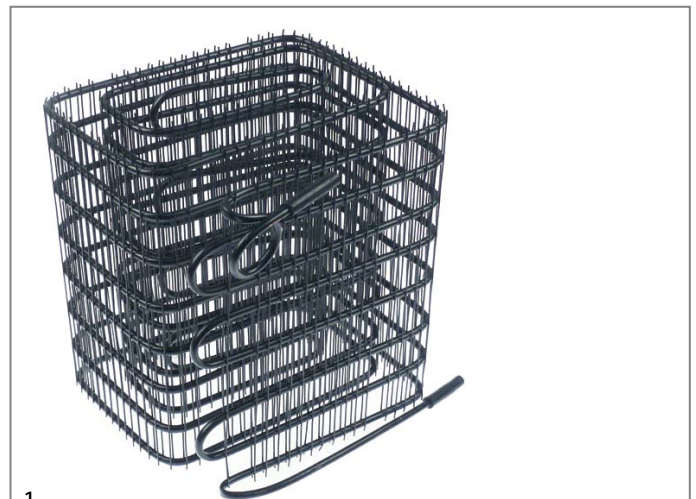
|                    |   |                 |          |
|--------------------|---|-----------------|----------|
| <b>Part No.</b>    | 750746  | <b>Ref. No.</b> | W0203051 |
| <b>description</b> | condenser Capacitor W 250mm H 100mm L 260mm for GRE2700 |                 |          |
| <b>For models:</b> | GRE2700   |                 |          |



|                    |   |                 |          |
|--------------------|---|-----------------|----------|
| <b>Part No.</b>    | 750742  | <b>Ref. No.</b> | W0203052 |
| <b>description</b> | condenser Capacitor W 250mm H 140mm L 260mm GFR2700 |                 |          |
| <b>For models:</b> | GFR2700   |                 |          |



|                    |  |                 |        |
|--------------------|--|-----------------|--------|
| <b>Part No.</b>    | 750319   | <b>Ref. No.</b> | VRX.11 |
| <b>description</b> | condenser for pizza table W 228mm D 77mm H 179mm |                 |        |
| <b>For models:</b> | GHS1600, GHS2600                                 |                 |        |



|                    |   |                 |          |
|--------------------|---|-----------------|----------|
| <b>Part No.</b>    | 750373                                      | <b>Ref. No.</b> | DTLA9002 |
| <b>description</b> | condenser W 190mm D 160mm H 205mm Qty 1 pcs |                 |          |
| <b>For models:</b> | GBC1003, GBC1003S, GBC1003SS, GBC1103       |                 |          |





1

|                    |  |                 |          |
|--------------------|--|-----------------|----------|
| <b>Part No.</b>    | 750372                                     | <b>Ref. No.</b> | DTLA9000 |
| <b>description</b> | condenser W 195mm D 80mm H 205mm Qty 1 pcs |                 |          |
| <b>For models:</b> | GBC1001, GBC1001S, GBC1001SS               |                 |          |



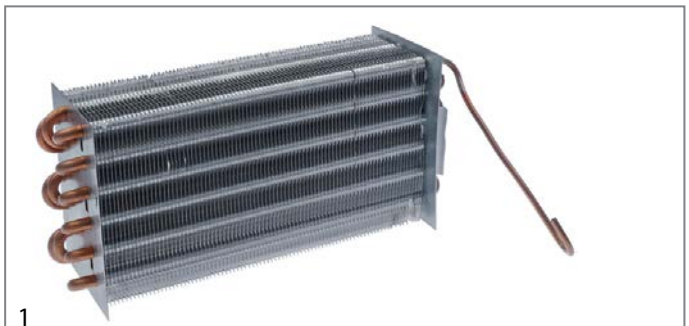
1

|                    |                                   |                 |              |
|--------------------|-----------------------------------|-----------------|--------------|
| <b>Part No.</b>    | 750351                            | <b>Ref. No.</b> | 1.1.A.A09.09 |
| <b>description</b> | condenser W 255mm D 130mm H 235mm |                 |              |
| <b>For models:</b> | GGC2270, GGC2270B                 |                 |              |



1

|                    |   |                 |              |
|--------------------|---|-----------------|--------------|
| <b>Part No.</b>    | 750347                                      | <b>Ref. No.</b> | C04AC28A0001 |
| <b>description</b> | condenser W 220mm D 100mm H 230mm L 270mm   |                 |              |
| <b>For models:</b> | GDS2600, GPS2600, GSA2600, GSD2600, GSF2600 |                 |              |



1

|                    |  |                 |              |
|--------------------|--|-----------------|--------------|
| <b>Part No.</b>    | 750370                                     | <b>Ref. No.</b> | 1.1.A.A09.21 |
| <b>description</b> | condenser W 265mm D 93mm H 140mm Qty 1 pcs |                 |              |
| <b>For models:</b> | GCV1600                                    |                 |              |



1

|                    |  |                 |              |
|--------------------|--|-----------------|--------------|
| <b>Part No.</b>    | 750384                                     | <b>Ref. No.</b> | 1.1.A.A09.01 |
| <b>description</b> | condenser W 220mm D 60mm H 280mm Qty 1 pcs |                 |              |
| <b>For models:</b> | GGC1078, GGC1078B                          |                 |              |



1

|                    |   |                 |          |
|--------------------|---|-----------------|----------|
| <b>Part No.</b>    | 750374                                      | <b>Ref. No.</b> | DTLA4008 |
| <b>description</b> | condenser W 555mm D 100mm H 275mm Qty 1 pcs |                 |          |



1

|                    |                                   |                 |          |
|--------------------|-----------------------------------|-----------------|----------|
| <b>Part No.</b>    | 750703                            | <b>Ref. No.</b> | 44918000 |
| <b>description</b> | condenser W 790mm D 10mm H 1360mm |                 |          |
| <b>For models:</b> | GFR3600S                          |                 |          |

1

|                    |  |                 |          |
|--------------------|--|-----------------|----------|
| <b>Part No.</b>    | 750699                                     | <b>Ref. No.</b> | 45034000 |
| <b>description</b> | condenser W 790mm D 10mm H 750mm Qty 1 pcs |                 |          |
| <b>For models:</b> | GRE3600, GRE3600S                          |                 |          |

## evaporation and condensing trays

### evaporation trays

1

|                    |   |                 |          |
|--------------------|---|-----------------|----------|
| <b>Part No.</b>    | 699302                                  | <b>Ref. No.</b> | SLZJ0021 |
| <b>description</b> | evaporation tray L 185mm W 130mm H 75mm |                 |          |
| <b>For models:</b> | GBC1001, GBC1001S, GBC1001SS            |                 |          |


1

|                    |   |                 |          |
|--------------------|---|-----------------|----------|
| <b>Part No.</b>    | 699299                                  | <b>Ref. No.</b> | SLZJ0014 |
| <b>description</b> | evaporation tray L 210mm W 105mm H 80mm |                 |          |
| <b>For models:</b> | GSC2336                                 |                 |          |

1

|                    |   |                 |          |
|--------------------|---|-----------------|----------|
| <b>Part No.</b>    | 699211                                  | <b>Ref. No.</b> | I0425088 |
| <b>description</b> | evaporation tray L 230mm W 144mm H 45mm |                 |          |
| <b>For models:</b> | GRE3600, GRE3600S                       |                 |          |

1

|   |   |                 |                 |          |
|---|---|-----------------|-----------------|----------|
| <b>Part No.</b>   | 750745  | <b>Ref. No.</b> | W0409071        |          |
| <b>description</b>  | evaporation tray rear L 527mm W 238mm for fridge for GFR2700/ GRE2700 |                 |                 |          |
| <b>For models:</b>  | GFR2700, GRE2700  |                 |                 |          |
| <b>accessories for</b>  | 750745  |                 |                 |          |
|  | <b>Part No.</b>   | 750747          | <b>Ref. No.</b> | W0409078 |
|   | overflow plastic for GFR2700/GRE2700                                  |                 |                 |          |

### unheated condensing trays

1

|                    |  |                 |            |
|--------------------|--|-----------------|------------|
| <b>Part No.</b>    | 750630   | <b>Ref. No.</b> | GPC1088-08 |
| <b>description</b> | condensing tray L 200mm W 135mm H 30mm plastic |                 |            |
| <b>For models:</b> | GPC1088  |                 |            |



1

|                    |  |                 |          |
|--------------------|--|-----------------|----------|
| <b>Part No.</b>    | 750632   | <b>Ref. No.</b> | SLZJ0022 |
| <b>description</b> | drip tray L 187mm W 128mm H 70mm plastic                                     |                 |          |
| <b>For models:</b> | GBC1002, GBC1002S, GBC1002SS, GBC1003, GBC1003S, GBC1003SS, GBC1102, GBC1103 |                 |          |



1

|                    |  |                 |          |
|--------------------|--|-----------------|----------|
| <b>Part No.</b>    | 750631                                   | <b>Ref. No.</b> | SLZJ0015 |
| <b>description</b> | drip tray L 302mm W 204mm H 85mm plastic |                 |          |
| <b>For models:</b> | GSC1100G                                 |                 |          |



1

|                    |  |                 |              |
|--------------------|--|-----------------|--------------|
| <b>Part No.</b>    | 699418                                   | <b>Ref. No.</b> | 1.1.C.C29.02 |
| <b>description</b> | drip tray L 400mm W 144mm H 50mm plastic |                 |              |
| <b>For models:</b> | GGC2270, GGC2270B                        |                 |              |

## miscellaneous



1

|                        |                                      |                 |          |
|------------------------|--------------------------------------|-----------------|----------|
| <b>Part No.</b>        | 750747                               | <b>Ref. No.</b> | W0409078 |
| <b>description</b>     | overflow plastic for GFR2700/GRE2700 |                 |          |
| <b>For models:</b>     | GFR2700, GRE2700                     |                 |          |
| <b>accessories for</b> | 750747                               |                 |          |



|                    |  |                 |          |
|--------------------|--|-----------------|----------|
| <b>Part No.</b>    | 750745   | <b>Ref. No.</b> | W0409071 |
| <b>description</b> | evaporation tray rear L 527mm W 238mm for fridge for GFR2700/GRE2700 |                 |          |

## transmission technology and ball bearings

## ball bearings

## deep-groove ball bearings 2RS



1

|                    |   |                 |             |
|--------------------|---|-----------------|-------------|
| <b>Part No.</b>    | 523501  | <b>Ref. No.</b> | 00000000637 |
| <b>description</b> | deep-groove ball bearing type 608-2RS shaft $\varnothing$ 8mm ED $\varnothing$ 22mm W 7mm with sealing discs deep-groove ball bearing DIN 625-1 |                 |             |
| <b>For models:</b> | GFS1030   |                 |             |



1

|                    |  |                 |             |
|--------------------|--|-----------------|-------------|
| <b>Part No.</b>    | 523510   | <b>Ref. No.</b> | 00000000860 |
| <b>description</b> | deep-groove ball bearing type 6202-2RS shaft $\varnothing$ 15mm ED $\varnothing$ 35mm W 11mm with sealing discs deep-groove ball bearing DIN 625-1 |                 |             |
| <b>For models:</b> | GFS1025, GFS2019, GFS2022, GFS2025, GFS2030  |                 |             |



1

|                    |  |                 |             |
|--------------------|--|-----------------|-------------|
| <b>Part No.</b>    | 523512   | <b>Ref. No.</b> | 00000000632 |
| <b>description</b> | deep-groove ball bearing type 6204-2RS shaft $\varnothing$ 20mm ED $\varnothing$ 47mm W 14mm with sealing discs deep-groove ball bearing DIN 625-1 |                 |             |
| <b>For models:</b> | GFS1030  |                 |             |



1

|                    |   |                 |             |
|--------------------|---|-----------------|-------------|
| <b>Part No.</b>    | 523504  | <b>Ref. No.</b> | 00000000862 |
| <b>description</b> | deep-groove ball bearing type 626-2RS shaft $\varnothing$ 6mm ED $\varnothing$ 19mm W 6mm with sealing discs deep-groove ball bearing DIN 625-1 |                 |             |
| <b>For models:</b> | GFS1025, GFS2019, GFS2022, GFS2025, GFS2030   |                 |             |



drive belts

poly-v belts

1

|                    |   |                 |            |
|--------------------|---|-----------------|------------|
| <b>Part No.</b>    | 698215  | <b>Ref. No.</b> | 0000000635 |
| <b>description</b> | poly-v belt grooves 10 W 20mm L 400mm profile TB2 |                 |            |
| <b>For models:</b> | GFS1030   |                 |            |

1

|                    |  |                 |            |
|--------------------|--|-----------------|------------|
| <b>Part No.</b>    | 698963   | <b>Ref. No.</b> | 0000000492 |
| <b>description</b> | poly-v belt grooves 5 W 10mm L 310mm profile TB2 |                 |            |
| <b>For models:</b> | GFS2019, GFS2022                                 |                 |            |

1

|                    |  |                 |            |
|--------------------|--|-----------------|------------|
| <b>Part No.</b>    | 698217   | <b>Ref. No.</b> | 0000000861 |
| <b>description</b> | poly-v belt grooves 7 W 14mm L 330mm profile TB2 |                 |            |
| <b>For models:</b> | GFS1025, GFS2025                                 |                 |            |

springs

compression springs

1

|                    |         |                 |        |
|--------------------|---------|-----------------|--------|
| <b>Part No.</b>    | 519162  | <b>Ref. No.</b> | 904131 |
| <b>description</b> | spring  |                 |        |
| <b>For models:</b> | GDW2001 |                 |        |

1

|                    |   |                 |              |
|--------------------|---|-----------------|--------------|
| <b>Part No.</b>    | 692701  | <b>Ref. No.</b> | 1.1.B.B10.06 |
| <b>description</b> | spring L 4mm wire gauge ø 1mm windings 5 D1 ø 9.5mm |                 |              |
| <b>For models:</b> | GGC1078, GGC1078B                                   |                 |              |

dosing pumps

membrane dosing pumps

self-priming

SEKO

1

|                    |  |                 |        |
|--------------------|--|-----------------|--------|
| <b>Part No.</b>    | 362031   | <b>Ref. No.</b> | 902201 |
| <b>description</b> | dosing pump type DIB E rinse aid pump rate 0-5cm <sup>3</sup> per stroke pressure connection ø 4x6mm suction connection ø 4x6mm suction connection SEKO supporting pressure closed |                 |        |
| <b>For models:</b> | GDW2001  |                 |        |

accessories

miscellaneous

1

|                    |   |                 |        |
|--------------------|---|-----------------|--------|
| <b>Part No.</b>    | 513329  | <b>Ref. No.</b> | 906375 |
| <b>description</b> | bracket for dosing pump L 70mm H 25mm W 40mm spring steel |                 |        |
| <b>For models:</b> | GDW2001   |                 |        |

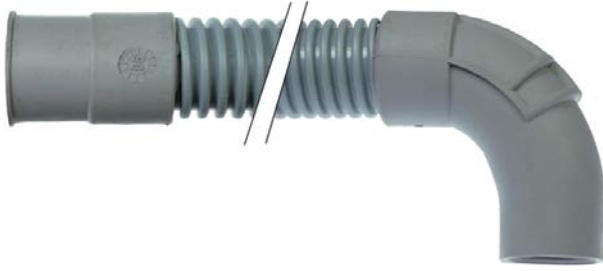
hoses

drain hoses

1

|                    |  |                 |        |
|--------------------|--|-----------------|--------|
| <b>Part No.</b>    | 530921   | <b>Ref. No.</b> | 907446 |
| <b>description</b> | drain hose 3/4" L 1500mm A int. ø 29mm A ext. ø 34mm B int. ø 21mm B ext. ø 26mm outer hose ø 24mm |                 |        |
| <b>For models:</b> | GDW2001  |                 |        |





|                    |   |                 |        |
|--------------------|---|-----------------|--------|
| 1                  |   |                 |        |
| <b>Part No.</b>    | 519456                                  | <b>Ref. No.</b> | 907439 |
| <b>description</b> | drain hose L 1500mm D1 ø 21mm D2 ø 21mm |                 |        |
| <b>For models:</b> | GDW2001                                 |                 |        |

## industrial hoses

### PVC hoses

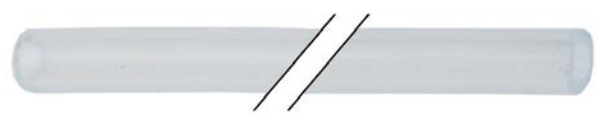
#### PVC hoses without fabric



|                    |   |                 |        |
|--------------------|---|-----------------|--------|
| 1                  |   |                 |        |
| <b>Part No.</b>    | 570027  | <b>Ref. No.</b> | 902046 |
| <b>description</b> | PVC hose ID ø 4mm ED ø 7mm L 100m thickness 1.5mm t.max. 60°C transparent |                 |        |
| <b>For models:</b> | GDW2001   |                 |        |

### silicone hoses

#### without fabric



|                    |   |                 |        |
|--------------------|---|-----------------|--------|
| 1                  |   |                 |        |
| <b>Part No.</b>    | 530410  | <b>Ref. No.</b> | 907279 |
| <b>description</b> | silicone hose ID ø 4mm ED ø 7mm L 2m thickness 1.5mm t.max. 200°C transparent |                 |        |
| <b>For models:</b> | GDW2001   |                 |        |

## formed hoses

### straight



|                    |  |                 |        |
|--------------------|--|-----------------|--------|
| 1                  |  |                 |        |
| <b>Part No.</b>    | 519392   | <b>Ref. No.</b> | 903756 |
| <b>description</b> | formed hose L 61mm dishwasher straight hose ext. ø 50mm hose int. ø 38mm |                 |        |
| <b>For models:</b> | GDW2001  |                 |        |

### form L



|                    |  |                 |        |
|--------------------|--|-----------------|--------|
| 1                  |  |                 |        |
| <b>Part No.</b>    | 503190   | <b>Ref. No.</b> | 903694 |
| <b>description</b> | formed hose L 120mm supply EPDM warewashing 45 ED ø 56mm |                 |        |
| <b>For models:</b> | GDW2001  |                 |        |



|                    |  |                 |        |
|--------------------|--|-----------------|--------|
| 1                  |  |                 |        |
| <b>Part No.</b>    | 506280                                     | <b>Ref. No.</b> | 909371 |
| <b>description</b> | formed hose L 190mm EPDM warewashing black |                 |        |
| <b>For models:</b> | GDW2001                                    |                 |        |



|                    |  |                 |        |
|--------------------|--|-----------------|--------|
| 1                  |  |                 |        |
| <b>Part No.</b>    | 505410   | <b>Ref. No.</b> | 903672 |
| <b>description</b> | formed hose L 70mm warewashing ID ø 27mm ED ø 37mm |                 |        |
| <b>For models:</b> | GDW2001  |                 |        |

### miscellaneous



|                    |   |                 |              |
|--------------------|---|-----------------|--------------|
| 1                  |   |                 |              |
| <b>Part No.</b>    | 699420                                  | <b>Ref. No.</b> | 1.1.C.C41.13 |
| <b>description</b> | formed hose ID ø 19mm ED ø 24mm L 150mm |                 |              |
| <b>For models:</b> | GGC1078, GGC1078B                       |                 |              |

## for dishwashers

### miscellaneous



|                    |  |                 |        |
|--------------------|--|-----------------|--------|
| 1                  |  |                 |        |
| <b>Part No.</b>    | 503190   | <b>Ref. No.</b> | 903694 |
| <b>description</b> | formed hose L 120mm supply EPDM warewashing 45 ED ø 56mm |                 |        |
| <b>For models:</b> | GDW2001  |                 |        |






1

|                    |  |                 |        |
|--------------------|--|-----------------|--------|
| <b>Part No.</b>    | 506280                                     | <b>Ref. No.</b> | 909371 |
| <b>description</b> | formed hose L 190mm EPDM warewashing black |                 |        |
| <b>For models:</b> | GDW2001                                    |                 |        |

## fittings, hose and pipe connectors


### hose connectors

#### without screw connection



1

|                    |   |                 |        |
|--------------------|---|-----------------|--------|
| <b>Part No.</b>    | 519644  | <b>Ref. No.</b> | 905434 |
| <b>description</b> | T-piece plastic connection $\phi$ 12mm - $\phi$ 5mm - $\phi$ 12mm |                 |        |
| <b>For models:</b> | GDW2001   |                 |        |




1

|                    |  |                 |        |
|--------------------|--|-----------------|--------|
| <b>Part No.</b>    | 519216                                       | <b>Ref. No.</b> | 905382 |
| <b>description</b> | T-piece plastic hose $\phi$ 12-12-12mm 3-way |                 |        |
| <b>For models:</b> | GDW2001                                      |                 |        |

## ancillary products

### clamps

#### double wire clamps




1

|                    |  |                 |        |
|--------------------|--|-----------------|--------|
| <b>Part No.</b>    | 513268   | <b>Ref. No.</b> | 902425 |
| <b>description</b> | hose clamp $\phi$ 8-10mm wire gauge $\phi$ 1mm Qty 1 pcs |                 |        |
| <b>For models:</b> | GDW2001  |                 |        |

## fastening material


### side bolts



1

|                    |   |                 |            |
|--------------------|---|-----------------|------------|
| <b>Part No.</b>    | 560551  | <b>Ref. No.</b> | 0000000615 |
| <b>description</b> | side bolts thread M10 L 15mm SS Qty 1 pcs intake slotted head $\phi$ 24.5mm |                 |            |
| <b>For models:</b> | GFS1030   |                 |            |

### knurled screws




1

|                    |   |                 |            |
|--------------------|---|-----------------|------------|
| <b>Part No.</b>    | 697481  | <b>Ref. No.</b> | 0000000623 |
| <b>description</b> | Thumb screw thread M6 thread L 8mm $\phi$ 14mm H 6mm SS |                 |            |
| <b>For models:</b> | GFS1030, GFS2019, GFS2022, GFS2025                      |                 |            |

### nuts

#### hexagonal nuts


##### DIN 985



1

|                    |  |                 |        |
|--------------------|--|-----------------|--------|
| <b>Part No.</b>    | 560142   | <b>Ref. No.</b> | 902040 |
| <b>description</b> | hexagonal nut thread M6 H 6mm SS WS 10 Qty 20 pcs DIN/ISO DIN 985 self-locking |                 |        |
| <b>For models:</b> | GDW2001  |                 |        |

### miscellaneous



1

|                    |                               |                 |          |
|--------------------|-------------------------------|-----------------|----------|
| <b>Part No.</b>    | 551380                        | <b>Ref. No.</b> | DAD30010 |
| <b>description</b> | cage nut thread M10 Qty 4 pcs |                 |          |
| <b>For models:</b> | GCO500                        |                 |          |



## washers

## spring washers



1

|                    |   |                 |             |
|--------------------|---|-----------------|-------------|
| <b>Part No.</b>    | 697478                                      | <b>Ref. No.</b> | 00000000671 |
| <b>description</b> | spring washer ID ø 19mm ED ø 26mm Qty 1 pcs |                 |             |
| <b>For models:</b> | GFS1030                                     |                 |             |

## washers

## miscellaneous



1

|                    |   |                 |        |
|--------------------|---|-----------------|--------|
| <b>Part No.</b>    | 519238  | <b>Ref. No.</b> | 906002 |
| <b>description</b> | plain washer ID ø 15mm ED ø 33mm thickness 0.8mm SS Qty 1 pcs |                 |        |
| <b>For models:</b> | GDW2001   |                 |        |

## fasteners

## mounting clips



1

|                    |   |                 |          |
|--------------------|---|-----------------|----------|
| <b>Part No.</b>    | 692865                                      | <b>Ref. No.</b> | 00007750 |
| <b>description</b> | mounting clip for bulb socket L 16mm H 19mm |                 |          |
| <b>For models:</b> | GCO2001                                     |                 |          |

## clamps

## double wire clamps



1

|                    |  |                 |        |
|--------------------|--|-----------------|--------|
| <b>Part No.</b>    | 513268   | <b>Ref. No.</b> | 902425 |
| <b>description</b> | hose clamp ø 8-10mm wire gauge ø 1mm Qty 1 pcs |                 |        |
| <b>For models:</b> | GDW2001  |                 |        |

## roll pins



1

|                    |                       |                 |      |
|--------------------|-----------------------|-----------------|------|
| <b>Part No.</b>    | 691637                | <b>Ref. No.</b> | 0744 |
| <b>description</b> | roll pin ø 3mm L 20mm |                 |      |
| <b>For models:</b> | GSM1000               |                 |      |

**GASTRO**PARTS.COM

