



**GASTROPARTS**

# Classeq

- [EN]** Equipment
- [DE]** Geräte
- [ES]** Aparatos
- [FR]** Équipement
- [IT]** Attrezzature
- [PL]** Urządzenia
- [RU]** Оборудование

✉ [gastroparts@gastroparts.com](mailto:gastroparts@gastroparts.com)

☎ tel. +48 56 657 00 66

📘 [fb.com/gastroparts.global](https://fb.com/gastroparts.global)

**GASTROPARTS.COM**





## heating elements

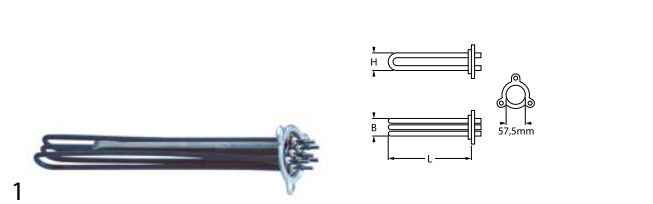
### immersion heating elements




#### 3 hole flange ø35.0mm




<b>Part No.</b>	416211	<b>Ref. No.</b>	30004742 9.9.14
<b>description</b>	heating element 2700W 230V heating circuits 1 mounting ø 35mm L 300mm W 25mm H 24mm tube ø 6.3mm hole distance 44mm hole ø 10mm connection male faston 6.3mm immersion heater 3 hole flange connection length 15mm		
<b>accessories for</b>	416211		
	<b>Part No.</b>	507048	<b>Ref. No.</b> —
	gasket ID ø 30mm silicone thickness 3mm hole ø 10mm hole distance 41mm for heating element warewashing		

#### 3 hole flange ø57.5mm



<b>Part No.</b>	416214	<b>Ref. No.</b>	30004984 HY306
<b>description</b>	heating element 6000W 230V mounting ø 57.5mm heating circuits 3 L 410mm W 32mm H 50mm thermostat sleeves ø 8.5mm length thermostat sleeves 270mm thermostat sleeve upper centre not clinging tube ø 8.5mm hole distance 70mm hole ø 10mm connection length 30mm connection M5 3 hole flange immersion heater		
<b>spare parts for</b>	416214		
	<b>Part No.</b>	510409	<b>Ref. No.</b> 30004986 HY307
	O-ring EPDM thickness 5.34mm ID ø 56.52mm Qty 1 pcs		
<b>accessories for</b>	416214		
	<b>Part No.</b>	510409	<b>Ref. No.</b> 30004986 HY307
	O-ring EPDM thickness 5.34mm ID ø 56.52mm Qty 1 pcs		
	<b>Part No.</b>	520332	<b>Ref. No.</b> —
	protection cap for heating element		

#### with round flange ø47.5mm

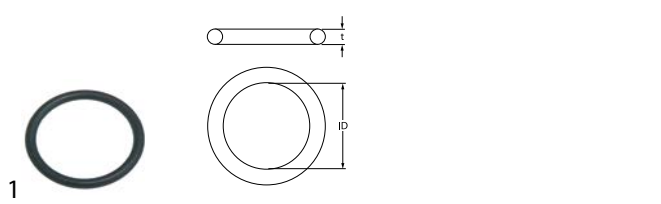


<b>Part No.</b>	419194	<b>Ref. No.</b>	30000972 550.0001
<b>description</b>	heating element 6000W 230V heating circuits 3 L 285mm W 32mm H 48mm tube ø 6.5mm thermostat sleeves ø 7mm number of thermostat sleeves 1 thermostat sleeve upper		

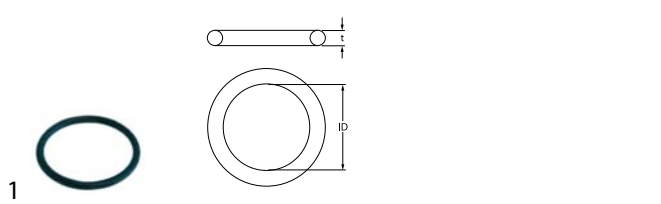
## accessories

### sealing washers

#### O-rings



<b>Part No.</b>	510408	<b>Ref. No.</b>	30004278 45.60.02
<b>description</b>	O-ring EPDM thickness 5.34mm ID ø 47mm Qty 1 pcs		


  


<b>Part No.</b>	510409	<b>Ref. No.</b>	30004986 HY307
<b>description</b>	O-ring EPDM thickness 5.34mm ID ø 56.52mm Qty 1 pcs		

## thermostats

### bi-metal thermostats

#### bi-metal thermostats



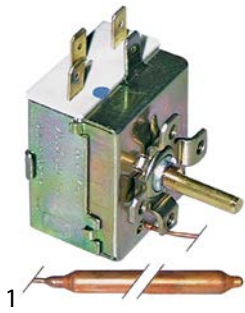
<b>Part No.</b>	390755	<b>Ref. No.</b>	30006092 541.0010
<b>description</b>	bi-metal thermostat hole distance 23.5mm switch-off temp. 70°C 1NC 1-pole connection F6.3 warewashing		





control and safety thermostats

IMIT / TEMPOMATIC / ARTHERMO

control thermostats



<b>Part No.</b>	390006	<b>Ref. No.</b>	30007713 7.12.1/2 DRT13L
<b>description</b>	thermostat t.max. 86°C temperature range 0-86°C 1-pole 1CO 16A probe ø 6.5mm probe L 95mm capillary pipe 1500mm capillary pipe isolatedmm gland nut shaft ø 6x4.6mm shaft L 19mm rotation 270°		
<b>accessories for</b>	390006		
	<b>Part No.</b>	110100	<b>Ref. No.</b> —
	knob thermostat t.max. 90°C 0-90°C ø 42mm shaft ø 6x4.6mm shaft flat -135° black		
	<b>Part No.</b>	110105	<b>Ref. No.</b> —
	rosette knob ø 42mm ø 56mm zero mark		

ø19mm






<b>Part No.</b>	347534	<b>Ref. No.</b>	30000949 500.0001
<b>description</b>	push switch mounting ø 19mm silver 1NO 250V 16A SS connection male faston 6.3mm ambient temperature max. 85°C protection IP65		

microswitches

lever actuated




<b>Part No.</b>	347533	<b>Ref. No.</b>	30004442 7.14.10/1
<b>description</b>	microswitch with lever 250V 16A 1NO connection male faston 6.3mm ambient temperature max. 125°C for door lever length 74mm		
<b>spare parts for</b>	347533		
	<b>Part No.</b>	507034	<b>Ref. No.</b> —
	fastening angle for microswitch		
	<b>Part No.</b>	507053	<b>Ref. No.</b> —
	nut nut 3/8"		
<b>accessories for</b>	347533		
	<b>Part No.</b>	507402	<b>Ref. No.</b> 30004440 7.14.1
	actuator for microswitch thread 3/8" L 105mm complete ID ø 12mm ED ø 32mm		

switches and momentary switches

rocker/momentary rocker switches





30x22mm



<b>Part No.</b>	301017	<b>Ref. No.</b>	30004407 7.12.4/B
<b>description</b>	rocker switch mounting measurements 30x22mm green 2CO 250V 16A illuminated connection male faston 6.3mm ambient temperature max. 125/55°C protection IP40		
<b>accessories for</b>	301017		
	<b>Part No.</b>	301036	<b>Ref. No.</b> —
	protective cover internal size 30x22mm for rocker switch mounting measurementsmm		

accessories



<b>Part No.</b>	507402	<b>Ref. No.</b>	30004440 7.14.1
<b>description</b>	actuator for microswitch thread 3/8" L 105mm complete ID ø 12mm ED ø 32mm		
<b>spare parts for</b>	507402		
	<b>Part No.</b>	507038	<b>Ref. No.</b> —
	compression spring ø 8.8mm L 31mm wire gauge ø 0.7mm		
	<b>Part No.</b>	507039	<b>Ref. No.</b> —
	door shaft		
	<b>Part No.</b>	507040	<b>Ref. No.</b> —
	retaining ring E D1 ø 4mm D2 ø 9mm SS DIN 6799 thickness 0.7mm		
<b>accessories for</b>	507402		
	<b>Part No.</b>	347533	<b>Ref. No.</b> 30004442 7.14.10/1
	microswitch with lever 250V 16A 1NO connection male faston 6.3mm ambient temperature max. 125°C for door lever length 74mm		

push/momentary push switches

ø12mm



<b>Part No.</b>	346594	<b>Ref. No.</b>	30004399 7.12.4/65
<b>description</b>	momentary push switch mounting ø 12mm black 1NO 250V 4A connection male faston 6.3mm ambient temperature max. 85°C protection IP40		



magnetic switches

30x20mm



1

<b>Part No.</b>	348205	<b>Ref. No.</b>	30000980
			570.0001
<b>description</b>	magnetic switch L 30mm W 20mm connection coded plug cable length 140mm		

lamps

indicator lights

indicator lights (complete)

ø10mm

with screw socket



1

<b>Part No.</b>	360512	<b>Ref. No.</b>	30000954
			505.0004
<b>description</b>	indicator light ø 10mm 230V blue connection male faston 6.3mm		



1

<b>Part No.</b>	346882	<b>Ref. No.</b>	30000952
			505.0002
<b>description</b>	indicator light ø 10mm 230V green connection male faston 6.3mm		



1

<b>Part No.</b>	346881	<b>Ref. No.</b>	30000951
			505.0001
<b>description</b>	indicator light ø 10mm 230V red connection male faston 6.3mm		



1

<b>Part No.</b>	346883	<b>Ref. No.</b>	30000953
			505.0003
<b>description</b>	indicator light ø 10mm 230V yellow connection male faston 6.3mm		

relays

power relays

with DIN rail mounting

lateral



1

<b>Part No.</b>	380313	<b>Ref. No.</b>	30004847
			CONT/72
<b>description</b>	power relays FINDER 230VAC 16A 3CO connection male faston DIN rail manuf. no. 62.83.8.230.0008		

time relays

time relays



1

<b>Part No.</b>	380942	<b>Ref. No.</b>	30001814
			562.0001
<b>description</b>	time relay FINDER F45 time range 0.1s-24h 12-240V AC/DC 16A mounting measurements DIN railmm 1CO connection grip connection		

solenoïd valves

solenoïd valves (water)

ELBI

straight



1

<b>Part No.</b>	373017	<b>Ref. No.</b>	240016
			30004245
<b>description</b>	solenoïd valve single straight 230VAC inlet 3/4" outlet 11.5mm DN10 ELBI		
<b>spare parts for</b>	373017		
	<b>Part No.</b>	370467	<b>Ref. No.</b>
			—
	solenoïd valve filter suitable for ELBI		



## ROBERTSHAW/INVENSYS

medium temperature: 90°C 90°C 60°C  
 ambient temperature: 60°C 25°C 60°C  
 duty cycle: 40% 100% 100%

## solenoid valves with reducers

## single



Part No.	374001	Ref. No.	30000982 7.12.12/1
description	solenoid valve single straight 230VAC inlet 3/4" outlet 11.5mm input green/min 10 t.max. 90°C Invensys plastic flow regulating valve inlet green		

## TP



Part No.	370017	Ref. No.	240011 30004244
description	solenoid valve single straight 230VAC inlet 3/4" outlet 11.5mm DN10 TP p max 10bar		

## spare parts for 370017

Part No.	371013	Ref. No.	—
description	solenoid coil TP 230VAC 50/60Hz		

## accessories for 370017

	Part No.	371220	Ref. No.	—
	description	reducer TP flow rate 3l/min red tolerance ±15%		
	Part No.	371221	Ref. No.	—
	description	reducer TP flow rate 5.5l/min yellow tolerance ±15%		
	Part No.	371222	Ref. No.	—
	description	reducer TP flow rate 6l/min grey tolerance ±15%		
	Part No.	371223	Ref. No.	—
	description	reducer TP flow rate 10l/min white tolerance ±15%		
	Part No.	371224	Ref. No.	—
	description	reducer TP flow rate 12l/min bronze tolerance ±15%		
	Part No.	371225	Ref. No.	—
	description	reducer TP flow rate 16l/min light brown tolerance ±15%		
	Part No.	371226	Ref. No.	—
	description	reducer TP flow rate 20l/min red tolerance ±15%		
	Part No.	371230	Ref. No.	—
	description	reducer TP flow rate 0.25l/min red tolerance ±25%		

accessories for 370017	Part No.	371231	Ref. No.	—
	description	reducer TP flow rate 0.35l/min violet tolerance ±25%		
	Part No.	371232	Ref. No.	—
	description	reducer TP flow rate 0.5l/min orange tolerance ±25%		
	Part No.	371233	Ref. No.	—
	description	reducer TP flow rate 0.8l/min white tolerance ±25%		
	Part No.	371234	Ref. No.	—
	description	reducer TP flow rate 1l/min light blue tolerance ±25%		
	Part No.	371235	Ref. No.	—
	description	reducer TP flow rate 1.2l/min brown tolerance ±25%		
	Part No.	371236	Ref. No.	—
	description	reducer TP flow rate 1.5l/min light brown tolerance ±25%		
	Part No.	371237	Ref. No.	—
	description	reducer TP flow rate 2.5l/min yellow tolerance ±25%		
	Part No.	371238	Ref. No.	—
	description	reducer TP flow rate 3.4l/min dark green tolerance ±25%		
	Part No.	371239	Ref. No.	—
	description	reducer TP flow rate 5l/min black tolerance ±25%		
	Part No.	371240	Ref. No.	—
	description	reducer TP flow rate 8l/min blue tolerance ±20%		

## pressure switches

## for warewashing

## ø 79mm with coded plug



Part No.	541835	Ref. No.	30004435 7.12.90
description	pressure control 2 pressure ranges pressure range 45/18 65/47mbar connection 6mm ø 79mm warewashing pressure connection ø 5.5mm		



73x43mm with coded plug



<b>Part No.</b>	541836	<b>Ref. No.</b>	30004436 7.12.91
<b>description</b>	pressure control pressure range 50/20mbar connection coded plug size 73x43mm warewashing pressure connection ø 5.5mm		

pumps

wash and rinse pumps

FIR


pumps





<b>Part No.</b>	500598	<b>Ref. No.</b>	30004801 929167
-----------------	--------	-----------------	--------------------


**description** pump inlet ø 30mm outlet ø 26mm type 5213E2450 230V 50Hz 1 phase 0.22kW 0.1HP L 190mm rotation direction left capacitor 5µF FIR


spare parts for 500598

	<b>Part No.</b>	365017	<b>Ref. No.</b>	—
	operating capacitor capacity 5µF 450V tolerance 5% 50/60Hz ambient temperature max. -25 to +85°C ø 28mm L 54mm M8 plastic connection male faston 6.3mm 16.10.08 protection			

	<b>Part No.</b>	502265	<b>Ref. No.</b>	—
	pump cover inlet ø 30mm outlet ø 26mm ID ø 89mm inner high 35mm			

	<b>Part No.</b>	510695	<b>Ref. No.</b>	—
	mechanical shaft seal height counter ring 5.5mm ID ø 11mm			

	<b>Part No.</b>	521203	<b>Ref. No.</b>	—
	impellor ø 72mm H 18mm thread M7 shaft ø 11mm shaft length 32mm blades 3			

	<b>Part No.</b>	532718	<b>Ref. No.</b>	—
	O-ring EPDM thickness 4mm ID ø 80mm Qty 1 pcs			

	<b>Part No.</b>	699372	<b>Ref. No.</b>	—
	flange for pump with cover type 5213 L 103mm W 103mm H 69mm			

fuses

overload switches

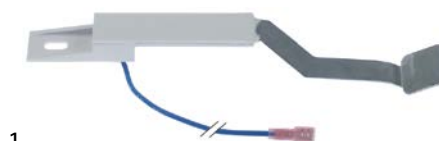


<b>Part No.</b>	358100	<b>Ref. No.</b>	30000991 TCB-4
<b>description</b>	overload switch 1-pole drop-away current 15A connection male faston 6.3mm		

equipment-specific units

for ice-cube maker

probes



<b>Part No.</b>	694549	<b>Ref. No.</b>	30005398 M-25-1129-3
<b>description</b>	probe for water level 1-pole cable length 1100mm		

valves

intake valves



<b>Part No.</b>	694548	<b>Ref. No.</b>	30005658 M-83-6904-9
<b>description</b>	intake valve with float		

for espresso machines

brewing units

filter holder gaskets

O-rings



<b>Part No.</b>	510409	<b>Ref. No.</b>	30004986 HY307
<b>description</b>	O-ring EPDM thickness 5.34mm ID ø 56.52mm Qty 1 pcs		



## for dishwashers

## door mechanics

## miscellaneous



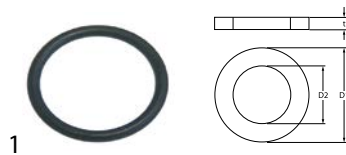
1

<b>Part No.</b>	507012	<b>Ref. No.</b>	30004469 7.2.35/2
<b>description</b>	spacer ring bush		

## gaskets

## O-rings

## EPDM



1

<b>Part No.</b>	510408	<b>Ref. No.</b>	30004278 45.60.02
<b>description</b>	O-ring EPDM thickness 5.34mm ID ø 47mm Qty 1 pcs		



1

<b>Part No.</b>	510409	<b>Ref. No.</b>	30004986 HY307
<b>description</b>	O-ring EPDM thickness 5.34mm ID ø 56.52mm Qty 1 pcs		



## hoses

## supply hoses

## PVC supply hoses



1

<b>Part No.</b>	520460	<b>Ref. No.</b>	41858
<b>description</b>	supply hose PVC straight-curved DN12 connections 3/4" L 1500mm operating p. 10bar burst p. 32bar t.max. 90°C blue approval WRAS		
<b>accessories for</b>	520460		
	<b>Part No.</b>	520053	<b>Ref. No.</b> —
	screen connection 3/4" D1 ø 26mm D2 ø 15mm Qty 10 pcs rubber thickness 8mm		
	<b>Part No.</b>	520054	<b>Ref. No.</b> —
	flat gasket rubber ED ø 23.5mm ID ø 14mm thickness 2.3mm Qty 10 pcs		

**GASTRO**PARTS.COM

