



**GASTROPARTS**

# Snack Express

- [EN]** Equipment
- [DE]** Geräte
- [ES]** Aparatos
- [FR]** Équipement
- [IT]** Attrezzature
- [PL]** Urządzenia
- [RU]** Оборудование

✉ [gastroparts@gastroparts.com](mailto:gastroparts@gastroparts.com)

☎ +48 56 657 00 66

📘 [fb.com/gastroparts.global](https://fb.com/gastroparts.global)

**GASTROPARTS.COM**





heating elements

heating elements for bain maries

|                    |   |
|--------------------|---|
| 1                  |   |
| <b>Part No.</b>    | 416887  |
| <b>Ref. No.</b>    | SNACKRESIS01  |
| <b>description</b> | heating element 1350W 230V heating circuits 1 L 385mm W 225mm connection male faston 6.3mm connection distance 110mm tube ø 8.5mm dry heating element W1 50mm W2 125mm H 22mm |

|                    |   |
|--------------------|---|
| 1                  |   |
| <b>Part No.</b>    | 416884  |
| <b>Ref. No.</b>    | VETRRES02<br>VETRRES03  |
| <b>description</b> | heating element 700W 230V heating circuits 1 L 500mm W 270mm connection male faston 6.3mm connection distance 257mm connection length 20mm tube ø 6.3mm dry heating element |

heating elements for fryers

2 hole fixing

|                    |  |
|--------------------|--|
| 1                  |  |
| <b>Part No.</b>    | 416891   |
| <b>Ref. No.</b>    | 3108   |
| <b>description</b> | heating element 3000W 230V heating circuits 1 L 362mm W 65mm H 240mm L1 57mm L2 305mm H1 192mm H2 48mm thread 1/4" tube ø 8.5mm 2 hole fixing connection M5 fryer heaters windings 4 |

|                        |  |                 |                 |   |
|------------------------|--|-----------------|-----------------|---|
| <b>Part No.</b>        | 416891   | <b>Ref. No.</b> | 3108            |   |
| <b>description</b>     | heating element 3000W 230V heating circuits 1 L 362mm W 65mm H 240mm L1 57mm L2 305mm H1 192mm H2 48mm thread 1/4" tube ø 8.5mm 2 hole fixing connection M5 fryer heaters windings 4 |                 |                 |   |
| <b>spare parts for</b> | 416891   |                 |                 |   |
|                        | <b>Part No.</b>  | 510417          | <b>Ref. No.</b> | — |
|                        | flat gasket fibre ED ø 20mm ID ø 14mm thickness 2mm Qty 1 pcs  |                 |                 |   |
| <b>accessories for</b> | 416891   |                 |                 |   |
|                        | <b>Part No.</b>  | 501318          | <b>Ref. No.</b> | — |
|                        | nut thread 1/4" H 6.5mm SS WS 22 Qty 1 pcs   |                 |                 |   |
|                        | <b>Part No.</b>  | 503045          | <b>Ref. No.</b> | — |
|                        | nut thread 1/4" H 4.5mm brass WS 17 Qty 1 pcs  |                 |                 |   |
|                        | <b>Part No.</b>  | 560112          | <b>Ref. No.</b> | — |
|                        | plain washer ID ø 5.3mm ED ø 10mm thickness 1mm SS Qty 20 pcs DIN 125A for thread M5   |                 |                 |   |
|                        | <b>Part No.</b>  | 560132          | <b>Ref. No.</b> | — |
|                        | hexagonal nut thread M5 H 4mm WS 8 SS DIN/ISO DIN 934 / ISO 4032/8673 Qty 20 pcs   |                 |                 |   |

|                    |   |
|--------------------|---|
| 1                  |   |
| <b>Part No.</b>    | 416892  |
| <b>Ref. No.</b>    | 3108A   |
| <b>description</b> | heating element 4000W 230V heating circuits 1 L 347mm W 85mm H 235mm L1 47mm L2 300mm H1 195mm H2 40mm thread 1/4" mounting distance 77mm tube ø 8.5mm 2 hole fixing connection M5 fryer heaters windings 4 |



|                        |   |                 |                 |   |
|------------------------|---|-----------------|-----------------|---|
| <b>Part No.</b>        | 416892  | <b>Ref. No.</b> | 3108A           |   |
| <b>description</b>     | heating element 4000W 230V heating circuits 1 L 347mm W 85mm H 235mm L1 47mm L2 300mm H1 195mm H2 40mm thread 1/4" mounting distance 77mm tube ø 8.5mm 2 hole fixing connection M5 fryer heaters windings 4 |                 |                 |   |
| <b>accessories for</b> | 416892  |                 |                 |   |
|                        | <b>Part No.</b>   | 361182          | <b>Ref. No.</b> | — |
|                        | nut thread 1/4" H 5mm nickel-plated brass WS 17 Qty 1 pcs   |                 |                 |   |
|                        | <b>Part No.</b>   | 510417          | <b>Ref. No.</b> | — |
|                        | flat gasket fibre ED ø 20mm ID ø 14mm thickness 2mm Qty 1 pcs   |                 |                 |   |
|                        | <b>Part No.</b>   | 520228          | <b>Ref. No.</b> | — |
|                        | tooth lock washer ID ø 15.3mm ED ø 24mm steel Qty 1 pcs for thread M14  |                 |                 |   |
|                        | <b>Part No.</b>   | 550262          | <b>Ref. No.</b> | — |
|                        | flat gasket copper ED ø 20mm ID ø 14mm thickness 2mm  |                 |                 |   |
|                        | <b>Part No.</b>   | 560112          | <b>Ref. No.</b> | — |
|                        | plain washer ID ø 5.3mm ED ø 10mm thickness 1mm SS Qty 20 pcs DIN 125A for thread M5  |                 |                 |   |
|                        | <b>Part No.</b>   | 560132          | <b>Ref. No.</b> | — |
|                        | hexagonal nut thread M5 H 4mm WS 8 SS DIN/ISO DIN 934 / ISO 4032/8673 Qty 20 pcs  |                 |                 |   |

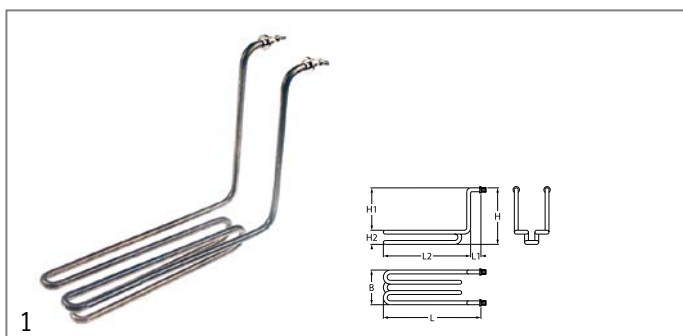
|                    |  |
|--------------------|--|
| 1                  |  |
| <b>Part No.</b>    | 416890   |
| <b>Ref. No.</b>    | 3111   |
| <b>description</b> | heating element 1670W 230V heating circuits 1 L 360mm W 85mm H 233mm L1 60mm L2 300mm H1 200mm H2 48mm thread 1/4" mounting distance 77mm tube ø 8.5mm 2 hole fixing connection M5 connection length 25mm fryer heaters windings 3 |

|                        |  |                 |                 |   |
|------------------------|--|-----------------|-----------------|---|
| <b>Part No.</b>        | 416890   | <b>Ref. No.</b> | 3111            |   |
| <b>description</b>     | heating element 1670W 230V heating circuits 1 L 360mm W 85mm H 233mm L1 60mm L2 300mm H1 200mm H2 48mm thread 1/4" mounting distance 77mm tube ø 8.5mm 2 hole fixing connection M5 connection length 25mm fryer heaters windings 3 |                 |                 |   |
| <b>accessories for</b> | 416890   |                 |                 |   |
|                        | <b>Part No.</b>  | 361182          | <b>Ref. No.</b> | — |
|                        | nut thread 1/4" H 5mm nickel-plated brass WS 17 Qty 1 pcs  |                 |                 |   |
|                        | <b>Part No.</b>  | 510417          | <b>Ref. No.</b> | — |
|                        | flat gasket fibre ED ø 20mm ID ø 14mm thickness 2mm Qty 1 pcs  |                 |                 |   |
|                        | <b>Part No.</b>  | 520228          | <b>Ref. No.</b> | — |
|                        | tooth lock washer ID ø 15.3mm ED ø 24mm steel Qty 1 pcs for thread M14   |                 |                 |   |
|                        | <b>Part No.</b>  | 550262          | <b>Ref. No.</b> | — |
|                        | flat gasket copper ED ø 20mm ID ø 14mm thickness 2mm   |                 |                 |   |

Table continues overleaf

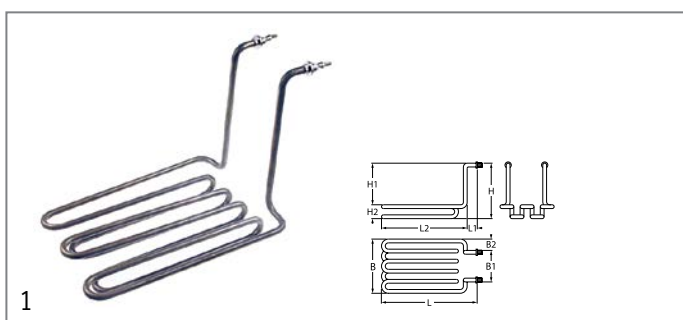


|  |                 |        |                   |
|--|-----------------|--------|-------------------|
| <b>accessories for</b> 416890  |                 |        |                   |
|     | <b>Part No.</b> | 560112 | <b>Ref. No.</b> — |
| plain washer ID ø 5.3mm ED ø 10mm thickness 1mm SS Qty 20 pcs DIN 125A for thread M5 |                 |        |                   |
|     | <b>Part No.</b> | 560132 | <b>Ref. No.</b> — |
| hexagonal nut thread M5 H 4mm WS 8 SS DIN/ISO DIN 934 / ISO 4032/8673 Qty 20 pcs     |                 |        |                   |





|                    |   |                 |      |
|--------------------|---|-----------------|------|
| <b>Part No.</b>    | 416889  | <b>Ref. No.</b> | 3966 |
| <b>description</b> | heating element 2000W 230V heating circuits 1 L 310mm W 73mm H 225mm L1 40mm L2 270mm H1 190mm H2 36mm thread 1/4" mounting distance 65mm tube ø 8.5mm 2 hole fixing connection M5 fryer heaters windings 3 |                 |      |

|  |                 |        |                   |
|--|-----------------|--------|-------------------|
| <b>accessories for</b> 416889  |                 |        |                   |
|     | <b>Part No.</b> | 361182 | <b>Ref. No.</b> — |
| nut thread 1/4" H 5mm nickel-plated brass WS 17 Qty 1 pcs                            |                 |        |                   |
|    | <b>Part No.</b> | 510417 | <b>Ref. No.</b> — |
| flat gasket fibre ED ø 20mm ID ø 14mm thickness 2mm Qty 1 pcs                        |                 |        |                   |
|   | <b>Part No.</b> | 520228 | <b>Ref. No.</b> — |
| tooth lock washer ID ø 15.3mm ED ø 24mm steel Qty 1 pcs for thread M14               |                 |        |                   |
|   | <b>Part No.</b> | 550262 | <b>Ref. No.</b> — |
| flat gasket copper ED ø 20mm ID ø 14mm thickness 2mm                                 |                 |        |                   |
|   | <b>Part No.</b> | 560112 | <b>Ref. No.</b> — |
| plain washer ID ø 5.3mm ED ø 10mm thickness 1mm SS Qty 20 pcs DIN 125A for thread M5 |                 |        |                   |
|   | <b>Part No.</b> | 560132 | <b>Ref. No.</b> — |
| hexagonal nut thread M5 H 4mm WS 8 SS DIN/ISO DIN 934 / ISO 4032/8673 Qty 20 pcs     |                 |        |                   |



|                    |  |                 |      |
|--------------------|--|-----------------|------|
| <b>Part No.</b>    | 416888   | <b>Ref. No.</b> | 3955 |
| <b>description</b> | heating element 3500W 230V heating circuits 2 L 300mm W 115mm H 232mm L1 28mm L2 272mm H1 190mm H2 42mm thread 1/4" tube ø 8.5mm 2 hole fixing connection M5 immersion heater windings 5 W1 70mm W2 45mm |                 |      |

|  |                 |        |                   |
|--|-----------------|--------|-------------------|
| <b>accessories for</b> 416888  |                 |        |                   |
|   | <b>Part No.</b> | 560112 | <b>Ref. No.</b> — |
| plain washer ID ø 5.3mm ED ø 10mm thickness 1mm SS Qty 20 pcs DIN 125A for thread M5 |                 |        |                   |

|   |                 |        |                   |
|---|-----------------|--------|-------------------|
| <b>accessories for</b> 416888   |                 |        |                   |
|  | <b>Part No.</b> | 560132 | <b>Ref. No.</b> — |
| hexagonal nut thread M5 H 4mm WS 8 SS DIN/ISO DIN 934 / ISO 4032/8673 Qty 20 pcs  |                 |        |                   |

## heating elements for hot counters


|                    |                      |                 |             |
|--------------------|----------------------|-----------------|-------------|
| 1                  |                      |                 |             |
| <b>Part No.</b>    | 416883               | <b>Ref. No.</b> | VETRESSCB80 |
| <b>description</b> | heating element 230V |                 |             |

|                    |  |                 |          |
|--------------------|--|-----------------|----------|
| 1                  |  |                 |          |
| <b>Part No.</b>    | 416881   | <b>Ref. No.</b> | VETRES01 |
| <b>description</b> | heating element 400W 230V heating circuits 1 L 400mm W 280mm tube ø 6.3mm connection male faston 6.3mm dry heating element for vitrine |                 |          |

|                    |  |                 |          |
|--------------------|--|-----------------|----------|
| 1                  |  |                 |          |
| <b>Part No.</b>    | 416882   | <b>Ref. No.</b> | VETRES02 |
| <b>description</b> | heating element 500W 230V heating circuits 1 L 500mm W 275mm connection distance 268mm tube ø 6.3mm connection male faston 6.3mm dry heating element for vitrine |                 |          |

|                    |  |                 |          |
|--------------------|--|-----------------|----------|
| 1                  |  |                 |          |
| <b>Part No.</b>    | 419010   | <b>Ref. No.</b> | VETRES01 |
| <b>description</b> | heating element 600W 230V heating circuits 1 L 400mm W 280mm tube ø 6.3mm connection male faston 6.3mm dry heating element for vitrine |                 |          |


|                    |  |                 |          |
|--------------------|--|-----------------|----------|
| 1                  |  |                 |          |
| <b>Part No.</b>    | 418791   | <b>Ref. No.</b> | VETRES03 |
| <b>description</b> | heating element 900W 230V heating circuits 1 L 615mm W 265mm tube ø 6.3mm connection male faston 6.3mm dry heating element |                 |          |

1


|                    |   |                 |           |
|--------------------|---|-----------------|-----------|
| <b>Part No.</b>    | 416885  | <b>Ref. No.</b> | VETRRES04 |
| <b>description</b> | heating element 900W 230V heating circuits 1 L 870mm W 345mm connection distance 339mm connection length 20mm tube ø 6.3mm connection male faston 6.3mm dry heating element |                 |           |

heating elements for contact grills




1

|                    |   |                 |            |
|--------------------|---|-----------------|------------|
| <b>Part No.</b>    | 416877  | <b>Ref. No.</b> | GRILLRES02 |
| <b>description</b> | heating element 1000W 230V L 180mm W 192mm H 18mm L1 5mm L2 175mm W1 53mm W2 86mm tube ø 8.5mm mounting pos. upper connection M5 windings 3 dry heating element |                 |            |




1

|                    |   |                 |            |
|--------------------|---|-----------------|------------|
| <b>Part No.</b>    | 416879  | <b>Ref. No.</b> | GRILLRES03 |
| <b>description</b> | heating element 1200W 230V L 177mm W 257mm H 18mm L1 8mm L2 160mm W1 73mm W2 111mm tube ø 8.5mm connection length 24mm mounting pos. upper connection M4 windings 4 dry heating element |                 |            |



1


|                    |   |                 |            |
|--------------------|---|-----------------|------------|
| <b>Part No.</b>    | 416878  | <b>Ref. No.</b> | GRILLRES01 |
| <b>description</b> | heating element 1400W 230V L 198mm W 220mm H 46mm W1 60mm W2 100mm tube ø 8.5mm connection M5 connection length 24mm mounting pos. lower dry heating element windings 4 |                 |            |



1

|                    |   |                 |            |
|--------------------|---|-----------------|------------|
| <b>Part No.</b>    | 416880  | <b>Ref. No.</b> | GRILLRES04 |
| <b>description</b> | heating element 1700W 230V L 198mm W 278mm H 40mm W1 60mm W2 168mm tube ø 8.5mm connection M4 connection length 23mm mounting pos. lower dry heating element windings 5 |                 |            |


heating elements for salamanders/toast-



1


|                    |  |                 |           |
|--------------------|--|-----------------|-----------|
| <b>Part No.</b>    | 416874   | <b>Ref. No.</b> | TOSTRESOR |
| <b>description</b> | heating element 450W 115V L 344mm thread M12x1 connection length 23mm tube ø 8.5mm connection male faston 6.3mm heating circuits 1 dry heating element toaster W 8.5mm H 8.5mm |                 |           |

quartz heating elements




1

|                    |   |                 |           |
|--------------------|---|-----------------|-----------|
| <b>Part No.</b>    | 416187  | <b>Ref. No.</b> | TOSTRES01 |
| <b>description</b> | quartz heating element 400W 115V L 260mm ø 12mm connection male faston 6.3mm mounting distance 24.8mm |                 |           |




1

|                    |  |                 |           |
|--------------------|--|-----------------|-----------|
| <b>Part No.</b>    | 418625   | <b>Ref. No.</b> | TOSTRES02 |
| <b>description</b> | quartz heating element 500W 115V L 365mm ø 10mm connection male faston 6.3mm |                 |           |



1

|                    |   |                 |           |
|--------------------|---|-----------------|-----------|
| <b>Part No.</b>    | 416873  | <b>Ref. No.</b> | TOSTRES04 |
| <b>description</b> | quartz heating element 500W 75V L 510mm ø 12mm connection male faston 6.3mm mounting distance 495mm 110hm |                 |           |



1

|                    |  |                 |           |
|--------------------|--|-----------------|-----------|
| <b>Part No.</b>    | 416871                                   | <b>Ref. No.</b> | TOSTRES01 |
| <b>description</b> | quartz heating element 800W 230V L 285mm |                 |           |



## hot plates

## round

with radiused edge

for domestic and commercial kitchens



1

|                    |  |                 |            |
|--------------------|--|-----------------|------------|
| <b>Part No.</b>    | 490129   | <b>Ref. No.</b> | SNACKPIAS1 |
| <b>description</b> | hot plate ø 180mm 1500W 230V connection 4 screw clamps with 8mm spill ring |                 |            |



1

|                    |  |                 |            |
|--------------------|--|-----------------|------------|
| <b>Part No.</b>    | 490130   | <b>Ref. No.</b> | SNACKPIAS2 |
| <b>description</b> | hot plate ø 220mm 2000W 230V connection 4 screw clamps with 8mm spill ring |                 |            |

## thermostats

## bi-metal thermostats

bi-metal thermostats



1

|                    |  |                 |              |
|--------------------|--|-----------------|--------------|
| <b>Part No.</b>    | 390323   | <b>Ref. No.</b> | VETRTERMSICU |
| <b>description</b> | bi-metal thermostat hole distancemm switch-off temp. 145°C 1NC 1-pole 16A connection F6.3 M4 |                 |              |

## control and safety thermostats

EGO

control thermostats

55.10/19\_ series



1

|                    |   |                 |      |
|--------------------|---|-----------------|------|
| <b>Part No.</b>    | 375777  | <b>Ref. No.</b> | 3064 |
| <b>description</b> | thermostat t.max. 180°C temperature range 70-180°C 1-pole 1NO 16A probe ø 6mm probe L 87mm capillary pipe 600mm capillary pipe isolated 350mm gland nut shaft ø 6x4.6mm shaft L 23mm shaft position upper rotation 270° |                 |      |



1

|                    |  |                 |             |
|--------------------|--|-----------------|-------------|
| <b>Part No.</b>    | 375002   | <b>Ref. No.</b> | GRILLTERMOS |
| <b>description</b> | thermostat t.max. 320°C temperature range 55-320°C 1-pole 1NO 16A probe ø 3.1mm probe L 226mm capillary pipe 870mm capillary pipe isolated 850mm gland nut shaft L 23mm shaft position upper rotation 270° |                 |             |

## safety thermostats

55.32\_ series



1

|                    |  |                 |         |
|--------------------|--|-----------------|---------|
| <b>Part No.</b>    | 375724   | <b>Ref. No.</b> | 03299/A |
| <b>description</b> | safety thermostat switch-off temp. 246°C 3-pole 20A probe ø 6mm probe L 79mm capillary pipe 1300mm capillary pipe isolated 1100mm gland nut probe SS |                 |         |


## IMIT / TEMPOMATIC / ARTERMO

control thermostats



1

|                    |   |                 |            |
|--------------------|---|-----------------|------------|
| <b>Part No.</b>    | 375620  | <b>Ref. No.</b> | VETRTER120 |
| <b>description</b> | thermostat t.max. 120°C temperature range 30-120°C 1-pole 1CO 15A probe ø 6.5mm probe L 95mm capillary pipe 1000mm capillary pipe isolated 1000mm gland nut shaft ø 6x4.6mm shaft L 19mm shaft position upper rotation 270° |                 |            |

1

|                    |  |                 |      |
|--------------------|--|-----------------|------|
| <b>Part No.</b>    | 375543   | <b>Ref. No.</b> | 3064 |
| <b>description</b> | thermostat t.max. 190°C 1-pole gland nut shaft ø 6x4.6mm |                 |      |

safety thermostats



1

|                    |  |                 |      |
|--------------------|--|-----------------|------|
| <b>Part No.</b>    | 375542   | <b>Ref. No.</b> | 9004 |
| <b>description</b> | safety thermostat LS1 8174 switch-off temp. 238°C 1-pole 15A probe ø 5mm probe L 100mm capillary pipe 550mm capillary pipe isolatedmm gland nut probe SS |                 |      |



1

|                    |   |                 |      |
|--------------------|---|-----------------|------|
| <b>Part No.</b>    | 375509  | <b>Ref. No.</b> | 9004 |
| <b>description</b> | thermostat switch-off temp. 230°C 1-pole 1NC 16A probe ø 6mm probe L 62mm capillary pipe 450mm capillary pipe isolated 40mm gland nut probe screw connection M10x1 connection male faston 6.3mm |                 |      |

CAMPINI

safety thermostats



1

|                    |   |                 |      |
|--------------------|---|-----------------|------|
| <b>Part No.</b>    | 375915  | <b>Ref. No.</b> | 9004 |
| <b>description</b> | safety thermostat switch-off temp. 232°C 1-pole 1NC 16A probe ø 5mm probe L 68mm capillary pipe 960mm capillary pipe isolated 70mm screw connection M10 |                 |      |

various

control thermostats



1

|                    |  |                 |      |
|--------------------|--|-----------------|------|
| <b>Part No.</b>    | 375820   | <b>Ref. No.</b> | 3064 |
| <b>description</b> | thermostat t.max. 190°C temperature range 0-190°C 1-pole 1CO 16A probe ø 4.5mm probe L 130mm capillary pipe 550mm shaft ø 6x4.6mm shaft L 19mm shaft position upper rotation 270° 250V |                 |      |

switches and momentary switches

rocker/momentary rocker switches


30x22mm



1


|                    |   |                 |           |
|--------------------|---|-----------------|-----------|
| <b>Part No.</b>    | 301003  | <b>Ref. No.</b> | TOSTINTER |
| <b>description</b> | rocker switch mounting measurements 30x22mm green 2NO 250V 16A illuminated 0-I connection male faston 6.3mm ambient temperature max. 125/55°C protection IP65 |                 |           |

accessories for 301003

|  |                    |  |                 |   |
|--|--------------------|--|-----------------|---|
|  | <b>Part No.</b>    | 301036   | <b>Ref. No.</b> | — |
|  | <b>description</b> | protective cover internal size 30x22mm for rocker switch mounting measurementsmm |                 |   |

microswitches

lever actuated



1

|                    |   |                 |         |
|--------------------|---|-----------------|---------|
| <b>Part No.</b>    | 345255  | <b>Ref. No.</b> | 03041/A |
| <b>description</b> | microswitch with lever 250V 16A 1CO connection male faston 6.3mm L 35mm L1 28mm ambient temperature max. 125°C mounting distance 22mm actuating force: 136g lever length 27mm |                 |         |



1

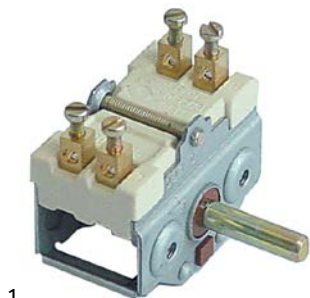
|                    |  |                 |         |
|--------------------|--|-----------------|---------|
| <b>Part No.</b>    | 347684   | <b>Ref. No.</b> | 03041/B |
| <b>description</b> | microswitch with lever 250V 16A 2NO connection male faston 6.3mm L 36mm ambient temperature max. 125°C mounting distance 22.2mm type VRSR01AA1 actuating force: 145g |                 |         |





## cam switches

## on/off



1

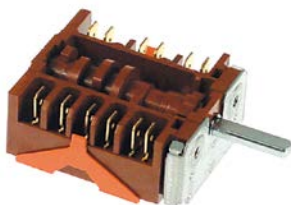
|                    |   |                 |         |
|--------------------|---|-----------------|---------|
| <b>Part No.</b>    | 300151  | <b>Ref. No.</b> | 03227/B |
| <b>description</b> | cam switch 2 operating positions 2NO sequence 0-1 16A shaft $\varnothing$ 6x4.6mm shaft L 23mm connection screw ceramic |                 |         |



1

|                    |   |                 |         |
|--------------------|---|-----------------|---------|
| <b>Part No.</b>    | 300176  | <b>Ref. No.</b> | 03227/A |
| <b>description</b> | cam switch 2 operating positions 4NO sequence 0-1 16A shaft $\varnothing$ 6x4.6mm shaft L 23mm connection screw |                 |         |

## 7-position



1

|                    |  |                 |             |
|--------------------|--|-----------------|-------------|
| <b>Part No.</b>    | 300177   | <b>Ref. No.</b> | SNACKCOMMUT |
| <b>description</b> | cam switch 7 operating positions 6NO sequence 0-1-2-3-4-5-6 16A shaft $\varnothing$ 6x4.6mm shaft L 23mm connection male faston 6.3mm 7-position |                 |             |

## lamps

## indicator lights

## indicator light lenses

 $\varnothing$ 10mm (type SR-3)

1

|                    |   |                 |      |
|--------------------|---|-----------------|------|
| <b>Part No.</b>    | 359815  | <b>Ref. No.</b> | 3066 |
| <b>description</b> | indicator light housings mounting measurements $\varnothing$ 10mm clear Qty 1 pcs |                 |      |



1

|                    |   |                 |      |
|--------------------|---|-----------------|------|
| <b>Part No.</b>    | 359816  | <b>Ref. No.</b> | 3067 |
| <b>description</b> | indicator light housings mounting measurements $\varnothing$ 10mm green Qty 1 pcs |                 |      |

## indicator lamps for socket type SA / SC / SD / SF / SR



1

|                    |  |                 |      |
|--------------------|--|-----------------|------|
| <b>Part No.</b>    | 359814   | <b>Ref. No.</b> | 3676 |
| <b>description</b> | indicator lamp 230V clear connection cable 400mm cable material silicone Qty 1 pcs |                 |      |

## indicator lights (complete)

 $\varnothing$ 10mm

## with plug-in socket



1

|                    |   |                 |           |
|--------------------|---|-----------------|-----------|
| <b>Part No.</b>    | 359374  | <b>Ref. No.</b> | TOSTGEMMA |
| <b>description</b> | indicator light $\varnothing$ 10mm 230V green |                 |           |

 $\varnothing$ 13mm

## with plug-in socket



1

|                    |  |                 |            |
|--------------------|--|-----------------|------------|
| <b>Part No.</b>    | 359142   | <b>Ref. No.</b> | GRILLAMPAD |
| <b>description</b> | indicator light $\varnothing$ 13mm green 230V connection male faston 6.3mm temp.-resist. 120°C Qty 1 pcs |                 |            |




1

|                    |   |                 |  |
|--------------------|---|-----------------|--|
| <b>Part No.</b>    | 359143  | <b>Ref. No.</b> | GRILLAMPAD<br>GRILLGEMMA<br>TOSTLAMP<br>VETRAGEMMA |
| <b>description</b> | indicator light $\varnothing$ 13mm yellow 230V connection male faston 6.3mm temp.-resist. 120°C Qty 1 pcs |                 |  |




## timers

### mechanical timers

|  |   |                 |                              |
|--|---|-----------------|------------------------------|
|  <p>1</p> |   |                 |                              |
| <b>Part No.</b>  | 350032  | <b>Ref. No.</b> | Tosttimer                    |
| <b>description</b>   | timer M2 2-pole operation time 15min impulse mechanical 2NO at 250V 16A permanent position no shaft ø 6x4.6mm shaft 6x4.6mm shaft L 18mm mounting distance 28mm connection rear |                 |                              |
| <b>accessories for</b>   | 350032  |                 |                              |
|           | <b>Part No.</b>   | 110366          | <b>Ref. No.</b> Tosttimerman |
|  | knob switch zero mark t.max.°C ø 44mm shaft ø 6x4.6mm shaft flat upper black  |                 |                              |
|           | <b>Part No.</b>   | 110371          | <b>Ref. No.</b> —            |
|  | dial plate graduation 15min permanent position no rotation 30-330° ø 60mm timers knob ø 45mm  |                 |                              |

### spare parts and accessories


#### knobs

|   |  |                 |              |
|---|--|-----------------|--------------|
|  <p>1</p> |  |                 |              |
| <b>Part No.</b>   | 110366   | <b>Ref. No.</b> | Tosttimerman |
| <b>description</b>  | knob switch zero mark t.max.°C ø 44mm shaft ø 6x4.6mm shaft flat upper black |                 |              |

## contactors





### GENERAL ELECTRIC (AEG)

#### power contactors

|  |  |                 |                   |
|--|--|-----------------|-------------------|
|  <p>1</p> |  |                 |                   |
| <b>Part No.</b>  | 380238   | <b>Ref. No.</b> | 9023 SALAMANDCONT |
| <b>description</b>   | power contactor resistive load 20A 230VAC (AC3/400V) 8.4A/4kW main contacts 3NO auxiliary contacts 1NO connection screw connection type LS0510A type AEG LS0510A type GE MC1A 310A |                 |                   |

## ignition parts

### pilot burners

|  |  |                 |                   |
|--|--|-----------------|-------------------|
| SIT  |  |                 |                   |
| 100 series   |  |                 |                   |
|  <p>1</p> |  |                 |                   |
| <b>Part No.</b>  | 107139   | <b>Ref. No.</b> | 03139             |
| <b>description</b>   | pilot burner SIT type 100 series 1 flame nozzle ø 0.2mm gas connectionmm |                 |                   |
| <b>spare parts for</b>   | 107139   |                 |                   |
|           | <b>Part No.</b>  | 100854          | <b>Ref. No.</b> — |
|  | pilot burner bracket double  |                 |                   |
|           | <b>Part No.</b>  | 100885          | <b>Ref. No.</b> — |
|  | air mixing sleeve for pilot burner Qty 1 pcs                             |                 |                   |
|           | <b>Part No.</b>  | 107160          | <b>Ref. No.</b> — |
|  | pilot burner cap SIT 1 flame Hmm Lmm Qty 1 pcs                           |                 |                   |
| <b>accessories for</b>   | 107139   |                 |                   |
|         | <b>Part No.</b>  | 100904          | <b>Ref. No.</b> — |
|  | locking screw M10x1 for pipe ø 4mm Qty 1 pcs                             |                 |                   |
|         | <b>Part No.</b>  | 100905          | <b>Ref. No.</b> — |
|  | locking screw M10x1 for pipe ø 6mm Qty 1 pcs                             |                 |                   |
|         | <b>Part No.</b>  | 100998          | <b>Ref. No.</b> — |
|  | pilot burner bottom part nozzle ø 0.21mm suitable for 100 series         |                 |                   |
|         | <b>Part No.</b>  | 102110          | <b>Ref. No.</b> — |
|  | pilot tube copper pipe ø 4mm thickness 1mm L 3000mm                      |                 |                   |
|         | <b>Part No.</b>  | 102111          | <b>Ref. No.</b> — |
|  | pilot tube copper pipe ø 6mm thickness 1mm L 3000mm                      |                 |                   |





## accessories

## ignition electrodes



|                 |        |                 |      |
|-----------------|--------|-----------------|------|
| <b>Part No.</b> | 100706 | <b>Ref. No.</b> | 3152 |
|-----------------|--------|-----------------|------|

|                    |  |  |  |
|--------------------|--|--|--|
| <b>description</b> | ignition electrode connection M4 Qty 1 pcs |  |  |
|--------------------|--|--|--|

## electrodes



|                 |        |                 |      |
|-----------------|--------|-----------------|------|
| <b>Part No.</b> | 100706 | <b>Ref. No.</b> | 3152 |
|-----------------|--------|-----------------|------|

|                    |  |  |  |
|--------------------|--|--|--|
| <b>description</b> | ignition electrode connection M4 Qty 1 pcs |  |  |
|--------------------|--|--|--|

## gas nozzles

## main nozzles

## gas nozzles M12x1



|                 |        |                 |            |
|-----------------|--------|-----------------|------------|
| <b>Part No.</b> | 106568 | <b>Ref. No.</b> | FRIGUGELLI |
|-----------------|--------|-----------------|------------|

|                    |   |  |  |
|--------------------|---|--|--|
| <b>description</b> | gas injector thread M12x1 WS 13 bore ø 1.25mm |  |  |
|--------------------|---|--|--|

## equipment-specific units

## for toasters

## pliers

## pliers



1

|                 |        |                 |           |
|-----------------|--------|-----------------|-----------|
| <b>Part No.</b> | 690010 | <b>Ref. No.</b> | TOSTPINZA |
|-----------------|--------|-----------------|-----------|

|                    |  |  |  |
|--------------------|--|--|--|
| <b>description</b> | plier for toaster H 180mm total length 100mm |  |  |
|--------------------|--|--|--|

## handles and hand wheels

## handle bars

## handle bars



1

|                 |        |                 |              |
|-----------------|--------|-----------------|--------------|
| <b>Part No.</b> | 693200 | <b>Ref. No.</b> | GRILLIMPEGNO |
|-----------------|--------|-----------------|--------------|

|                    |            |  |  |
|--------------------|------------|--|--|
| <b>description</b> | handle rod |  |  |
|--------------------|------------|--|--|

## bracket handles



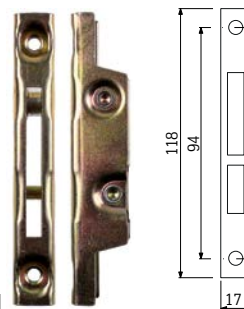
1

|                 |        |                 |      |
|-----------------|--------|-----------------|------|
| <b>Part No.</b> | 693440 | <b>Ref. No.</b> | 3063 |
|-----------------|--------|-----------------|------|

|                    |  |  |  |
|--------------------|--|--|--|
| <b>description</b> | pull handle mounting distance 88mm for fryer |  |  |
|--------------------|--|--|--|

## hinges

## oven hinges






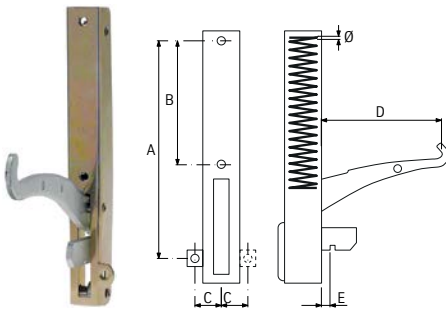


1

|                 |        |                 |        |
|-----------------|--------|-----------------|--------|
| <b>Part No.</b> | 700001 | <b>Ref. No.</b> | 03808c |
|-----------------|--------|-----------------|--------|

|                    |  |  |  |
|--------------------|--|--|--|
| <b>description</b> | opposite support L 118mm W 17mm mounting distance 94mm |  |  |
|--------------------|--|--|--|



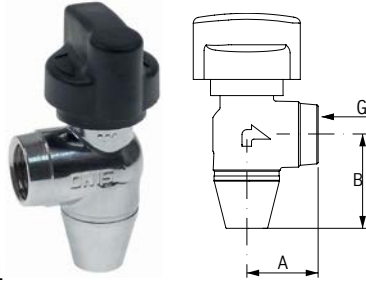
|  |  |                 |                        |
|--|--|-----------------|------------------------|
|  <p>1</p> |  |                 |                        |
| <b>Part No.</b>  | 700006   | <b>Ref. No.</b> | 03478D                 |
| <b>description</b>   | oven hinge mounting distance 173mm mounting distance 2 105mm lug mounting 14mm lever length 120mm groove distance 11mm spring thickness 3.5mm mounting ear position left spring length 112mm W 25mm  |                 |                        |
| <b>accessories for</b>   | 700006   |                 |                        |
|           | <b>Part No.</b>  | 700001          | <b>Ref. No.</b> 03808c |
|  | opposite support L 118mm W 17mm mounting distance 94mm   |                 |                        |
|           | <b>Part No.</b>  | 700007          | <b>Ref. No.</b> 03478s |
|  | oven hinge mounting distance 173mm mounting distance 2 105mm lug mounting 14mm lever length 120mm groove distance 11mm spring thickness 3.5mm mounting ear position right spring length 112mm W 25mm |                 |                        |

|   |  |                 |                        |
|---|--|-----------------|------------------------|
|  <p>1</p> |  |                 |                        |
| <b>Part No.</b>   | 700007   | <b>Ref. No.</b> | 03478s                 |
| <b>description</b>  | oven hinge mounting distance 173mm mounting distance 2 105mm lug mounting 14mm lever length 120mm groove distance 11mm spring thickness 3.5mm mounting ear position right spring length 112mm W 25mm |                 |                        |
| <b>accessories for</b>  | 700007   |                 |                        |
|          | <b>Part No.</b>  | 700001          | <b>Ref. No.</b> 03808c |
|   | opposite support L 118mm W 17mm mounting distance 94mm   |                 |                        |
|          | <b>Part No.</b>  | 700006          | <b>Ref. No.</b> 03478D |
|   | oven hinge mounting distance 173mm mounting distance 2 105mm lug mounting 14mm lever length 120mm groove distance 11mm spring thickness 3.5mm mounting ear position left spring length 112mm W 25mm  |                 |                        |

## fittings for catering equipment


### outlet taps

#### universal

|   |  |                 |              |
|---|--|-----------------|--------------|
|  <p>1</p> |  |                 |              |
| <b>Part No.</b>   | 540747   | <b>Ref. No.</b> | FRIGRUBINFR8 |
| <b>description</b>  | outlet tap chrome-plated brass angled W 30mm H 40mm thread 1/2" IT |                 |              |

## springs

### torsion springs


|   |   |                 |            |
|---|---|-----------------|------------|
|  <p>1</p> |   |                 |            |
| <b>Part No.</b>   | 693199  | <b>Ref. No.</b> | GRILLMOLLA |
| <b>description</b>  | torsion spring $\varnothing$ 21mm L1 38mm L2 118mm L3 38mm wire gauge $\varnothing$ 3.8mm |                 |            |

## valves and tank inlets

### ball valves

#### universal

#### ball valves with lever handle

|   |   |                 |      |
|---|---|-----------------|------|
|  <p>1</p> |   |                 |      |
| <b>Part No.</b>   | 540910  | <b>Ref. No.</b> | 3118 |
| <b>description</b>  | ball valve connection 3/4" IT - hose $\varnothing$ 19mm total length 110mm with lever handle handle length 95mm |                 |      |

**GASTRO**PARTS.COM

