



GASTROPARTS

RWA

- [EN]** Equipment
- [DE]** Geräte
- [ES]** Aparatos
- [FR]** Équipement
- [IT]** Attrezzature
- [PL]** Urządzenia
- [RU]** Оборудование

✉ gastroparts@gastroparts.com

☎ tel. +48 56 657 00 66

📘 fb.com/gastroparts.global

GASTROPARTS.COM





heating elements

heating elements for refrigeration

heating elements for defrosting

<p>1</p>			
Part No.	420518	Ref. No.	C01AA46A0007
description	heating element 500W 220V L 290mm W 96mm H 88mm cable length 400mm tube ø 8.5mm		

miscellaneous

<p>1</p>			
Part No.	420491	Ref. No.	E24075121000
description	heating element 20W 230V L 225mm W 195mm H 2.5mm connection plug cable length 1000mm		

<p>1</p>			
Part No.	420277	Ref. No.	DL00013721 RW40.05
description	heating element 65W 220-240V L 120mm W 20mm H 21mm connection Faston 6.3mm cable length 300mm tube ø 12mm refrigeration		

heating cables

connection on both sides

with male fastons

<p>1</p>			
Part No.	420492	Ref. No.	E24075104400
description	heating cable 10W 230V L 4400mm L1 (unheated) 500mm L2 (heated) 3900mm		

thermostats

bi-metal thermostats

bi-metal thermostats

<p>1</p>			
Part No.	391010	Ref. No.	E31A25001000
description	bi-metal thermostat hole distancemm switch-off temp. 25°C NC 1-pole 16A 230V connection coded plug		

control and safety thermostats

various

control thermostats

<p>1</p>			
Part No.	390870	Ref. No.	DL00013719 GHR1040-14 RW40.20
description	thermostat t.max.°C temperature range°C 1-pole 1NO 5A probe ø 2mm probe Lmm capillary pipe 750mm capillary pipe isolated 250mm gland nut shaft ø 6x4mm shaft L 12mm shaft position 45° rotation 270° probe material SS 250V Qty 1 pcs		

accessories

axis extensions

<p>1</p>			
Part No.	551215	Ref. No.	DL04001561 GHR1040-17 GHR2600-17 RW40.23
description	shaft extension total length 89mm shaft ø 6x4.6mm Qty 1 pcs		

switches and momentary switches

rocker/momentary rocker switches

30x22mm

<p>1</p>			
Part No.	347791	Ref. No.	E2301GR00001 GDS1134-01 GDS1134-1 GDS1600-01 GDS1600-1 GHS1600-21 GPS1600-01 GPS1600-1 GSA1134-01 GSA1134-1 GSA1600-01 GSA1600-1 GSD1600-01 GSD1600-1 GSF1600-01 GSF1600-1 S900.01
description	rocker switch mounting measurements 30x22mm green 2NO 230V 20A illuminated 0-I connection male faston 6.3mm ambient temperature max. 125/55°C protection IP65 with rubber collar		



push/momentary push switches

19x13mm



1

Part No.	348188	Ref. No.	E2307BK00001
description	push switch mounting measurements 19x13mm black 1NO 250V 10A connection F4.8		

microswitches

with push button

switches with snap-fit



1

Part No.	347801	Ref. No.	DL00013069 GHR1040-30 GHR2600-30 RW40.36
description	microswitch with plunger 250V 0.5A 1NC connection male faston 4.8mm L 28x10mm ambient temperature max. 85°C type built-in version actuating force: 150g		



1

Part No.	346772	Ref. No.	E2306WH00001
description	microswitch with push button 250V 5A 1CO connection male faston 4.8mm L 24x27mm ambient temperature max. 85°C actuating force: 160g		



1

Part No.	348184	Ref. No.	E2309WH00002 RC400.23
description	switch 250V 4A 1NO connection F4.8 L 40mm L1 24mm L2 16mm		

lamps

LED

LED lamps



1

Part No.	701629	Ref. No.	E308AA0000001
description	lamp socket LED dimensions 76x78mm		

fridge lamps

producer-specific fridge lamps

RWA



1

Part No.	357143	Ref. No.	DL04001633 GHR1040-32 GHR2600-32 RW40.38
description	cover for lamp plastic ø 62mm clear Qty 1 pcs		



1

Part No.	357144	Ref. No.	GHR1040-31 GHR2600-31 RW40.37
description	lamp holder for LEDs ø 84mm Qty 1 pcs		



1

Part No.	357127	Ref. No.	GHR1040-29 GHR2600-29 RW40.35
description	LED refrigerator GHR1040 white 220V PCB voltage AC		



1

Part No.	698879	Ref. No.	E22AC0080015
description	LED lamp 1.5W 12V L 75mm W 32mm H 28mm cable length 100mm Qty 1 pcs		



transformers

power supplies



1

Part No.	530625	Ref. No.	E26A10120050
description	power supply primary 100-240VAC secondary 12VDC 5VA secondary 0.42A H 20mm L 55mm W 40mm 50/60Hz		

electronic controllers

DIXELL

refrigeration controllers

built-in version



1

Part No.	378256	Ref. No.	GDS1134-02 GDS1134-2 GDS1600-02 GDS1600-2 GFR2600-27 GHS1600-22 GPS1600-02 GPS1600-2 GRE2600-34 GSA1134-02 GSA1134-2 GSA1600-02 GSA1600-2 GSD1600-02 GSD1600-2 GSF1600-02 GSF1600-2 RC600.34 RN600.27 S900.02
description	electronic controller DIXELL XR02CX-5N0C0 mounting measurements 71x29mm built-in depth 56mm 230V voltage AC NTC relay outputs 1 CO-8A(4) NTC protection IP54 defrosting function/time control -40 up to +110°C display 2½ digit		
spare parts for	378256		
	Part No.	379161	Ref. No. —
	temperature probe NTC 10kOhm cable thermoplastic probe -40 up to +110°C cable -40 up to +110°C probe ø6x14mm cable length 3m without screw connection 2-wire		
accessories for	378256		
	Part No.	378194	Ref. No. —
	temperature probe NTC 10kOhm cable PVC probe -20 up to +80°C cable -10 up to 100°C probe ø7x24.5mm cable length 1.5m without screw connection 2-wire		
	Part No.	379057	Ref. No. —
	temperature probe NTC 10kOhm cable PVC probe -20 up to +80°C cable -10 up to 100°C probe ø6x25mm cable length 3m 2-wire		

accessories for	378256		
	Part No.	379160	Ref. No. E21010150001 GDS1134-32 GDS1600-32 GPS1600-32 GSA1134-32 GSA1600-32 GSD1600-32 GSF1600-32 S900.32
	temperature probe NTC 10kOhm cable thermoplastic probe -40 up to +110°C cable -40 up to +110°C probe ø6x14mm cable length 1.5m without screw connection 2-wire		
	Part No.	379161	Ref. No. —
	temperature probe NTC 10kOhm cable thermoplastic probe -40 up to +110°C cable -40 up to +110°C probe ø6x14mm cable length 3m without screw connection 2-wire		
	Part No.	379343	Ref. No. —
	temperature probe NTC 10kOhm cable silicone probe -40 up to +110°C cable -50 up to +180°C probe ø6x40mm cable length 3m 2-wire		
	Part No.	379458	Ref. No. —
	temperature probe NTC 10kOhm cable silicone probe -40 up to +110°C cable -50 up to +180°C probe ø6x40mm cable length 1.5m without screw connection 2-wire		



1

Part No.	378267	Ref. No.	E20A111C0D00 E20A111C4D00 RC400.21 RN400.25
description	electronic controller DIXELL XR02CX-5N0C1 mounting measurements 71x29mm built-in depth 56mm 230V voltage AC NTC relay outputs 1 NO-20A(8) NTC DI protection IP54 defrosting function/time control -40 up to +110°C display 2½ digit		
accessories for	378267		
	Part No.	379161	Ref. No. —
	temperature probe NTC 10kOhm cable thermoplastic probe -40 up to +110°C cable -40 up to +110°C probe ø6x14mm cable length 3m without screw connection 2-wire		
	Part No.	381249	Ref. No. —
	temperature probe NTC 10kOhm cable PVC probe -40 up to +110°C cable -10 up to 100°C connection 2-wire thread probe ø6x14mm cable length 3m		



1


Part No.	378535	Ref. No.	E20A113F0D00
description	electronic controller DIXELL XR06CX-5R0C1 mounting measurements 71x29mm 230V voltage AC NTC relay outputs 3 NO-20A(8) CO-8A(3) NO-5A(2) NTC NTC DI protection IP54 0 up to +60°C display 2½ digit		



probes


universal probes

temperature probes

1 			
Part No.	379160	Ref. No.	E21010150001 GDS1134-32 GDS1600-32 GPS1600-32 GSA1134-32 GSA1600-32 GSD1600-32 GSF1600-32 S900.32
description	temperature probe NTC 10kOhm cable thermoplastic probe -40 up to +110°C cable -40 up to +110°C probe ø6x14mm cable length 1.5m without screw connection 2-wire		


accessories

fasteners


1 			
Part No.	692373	Ref. No.	GDS1134-31 GDS1600-31 GPS1600-31 GSA1134-31 GSA1600-31 GSD1600-31 GSF1600-31 S900.31
description	probe clip for temperature probe L 50mm W 31mm H 6mm SS hole ø 5mm hole distance 30mm Qty 1 pcs		

electronics

PCBs

1 			
Part No.	403189	Ref. No.	DL00013089 GHR1040-15 GHR2600-15 RW40.21
description	PCB refrigerator GHR1040 L 60mm W 17.5mm Qty 1 pcs		

cooling aggregates

Part No.	379304***	Ref. No.	123456
description			
For models:			
spare parts for	605145		
	Part No.	420277	Ref. No. DL00013721 RW40.05
description	heating element 65W 220-240V L 120mm W 20mm H 21mm connection Faston 6.3mm cable length 300mm tube ø 12mm refrigeration		

compressors

ACC/ZEL

R134A

LBP monophase

Lower evaporation temperature below -20°C

1 			
Part No.	605126	Ref. No.	E27B1H1Z0000 GDS1134-41 GHS1134-18 GHS2134-18 GPS1134-41 GSA1134-41 GSF1134-41 S900.41
description	compressor coolant R134a type OF1350A 220-240V 50Hz LBPkg 1/4HP power input 158W cylinder capacity 7.5cm³ RSIR H 183mmWWWWWWWWW ZEL		

MBP monophase

Medium evaporation temperature above -20°C

1 			
Part No.	605253	Ref. No.	E27B1J1Z0000 RN400.08 RN400.08+RN400.09+RN400.10
description	compressor coolant R134a type GTH93AA 220-240V 50Hz MBP 9.8kg 1/4HP cylinder capacity 9.3cm³ RSIR/RSCR H 184mmWWWWWWW		



R600A

LBP monophase

Lower evaporation temperature below -20°C



Part No.	605141	Ref. No.	E27B6F1Z0001 GDS1600.41 GPS1600.41 GSA1600.41 GSD1600.41 GSF1600.41 S960.01
description	compressor coolant R600a type HPY12AAa 220-240V 50Hz LBP 8.8kg 1/5HP cylinder capacity 12cm ³ RSIR H 200mmWWWWWWWWWW		



Part No.	605251	Ref. No.	RC400.07 RC400.07+RC400.08+RC400.09
description	compressor coolant R600a type HVT10AA 220-240V 50Hz LBP 7.8kg 1/6HP cylinder capacity 10cm ³ RSCR H 174mmWWWW		

EMBRACO / ASPERA

R404a/R507

LBP monophase

Lower evaporation temperature below -20°C



Part No.	605147	Ref. No.	GRE2600-08 RC600.08
description	compressor coolant R600a type HTH14AA 220-240V 50Hz LBP 9.37kg 1/4HP cylinder capacity 14cm ³ RSIR/RSCR H 183mmWWWWWWWW		



Part No.	605164	Ref. No.	E27A4P4E0000
description	compressor coolant R404a/R507 type NT2178GK 220-240V 50Hz LBP 17kg 1HP cylinder capacity 17.4cm ³ CSR H 220mm 442W 610W 808W 1032W 1285W 1565WWWWWW		



Part No.	650150	Ref. No.	GHS1600-18 GHS2600-18 VRX1560.01
description	compressor coolant R600a type HVM67AA 220-240V 50Hz LBP 7.5kg 1/8HP cylinder capacity 7cm ³ RSIR H 180mmWWWW		



SECOP DANFOSS


R134A

HMBP monophase

High/Medium evaporation temperature above -20/-15 °C



1

Part No.	605087	Ref. No.	E27A1N2S0000
description	compressor coolant R134a type SC12G 220-240V 50Hz HMBP fully hermetic 12.6kg 1/3HP power input 470W cylinder capacity 12.9cm ³ RSIR/CSIR H 203mm 140W 216W 312W 430W 574W 746W 951W 1191W 1469W test method ASHRAE 79.6W 1790W		
spare parts for	605087		
	Part No.	380483	Ref. No. —
	start relay DANFOSS 117U6003 HST		

miscellaneous

R134A




1


Part No.	605148	Ref. No.	GFR2600-06 RN600.06
description	compressor KULTHORN type AEA2415Y coolant R134a 220-240V 50Hz		

accessories


starting relays

miscellaneous

			
1			
Part No.	381450	Ref. No.	RC600.13 RC600.14 RC600.14+RC600.13
description	start relay 230V 16A		

			
1			
Part No.	381449	Ref. No.	RN600.09
description	start relay KULTHORN KME 682-26NT 230V 16A		

overload protector (klixon)

			
1			
Part No.	391044	Ref. No.	RN600.08
description	overload protector for engine protective curcuit breaker Klixon with cable t.max. 105°C		

fans

axial fans

ebm-papst

			
1			
Part No.	601813 ¹	Ref. No.	E1781A190001 GRE2600-33 RC600.33
description	axial fan L 119mm W 119mm H 38mm 230VAC 50/60Hz 19W bearing ball bearing manuf. no. 4656N/A02 cable length 800mm metal connection plug ebm-papst fan wheel ø 110mm		

¹with slide bearings



import



Part No.	601604 ¹	Ref. No.	E17A1A010100 GDS1134-34 GDS1600-34 GHS1600-16 GPS1600-34 GSA1134-34 GSA1600-34 GSD1600-34 GSF1600-34 S900.34
description	axial fan L 119mm W 119mm H 38mm 230VAC 50/60Hz 17/15W bearing slide bearing manuf. no. AA1282HS-AT connection cable 300mm fan wheel ø 110mm temp.-resist. 70°C input current 0.1A airflow 130m ³ /h 2600rpm		

¹with slide bearings



refrigeration fans

refrigeration motors universal

ebm-papst

miscellaneous

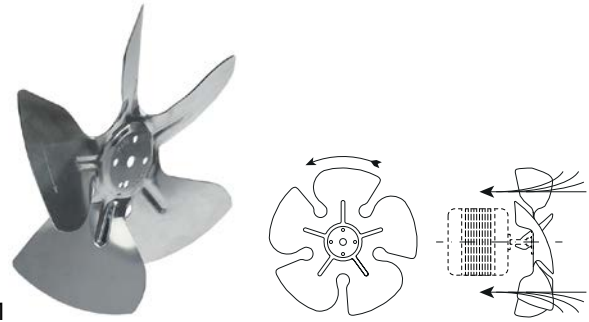


Part No.	601783	Ref. No.	E17A1A050500 E17A1A100900 GDS1134-37 GDS1600-37 GPS1134-37 GPS1600-37 GSF1134-37 GSF1600-37 S900.37
description	fan motor 10W 230V 50/60Hz L3 87mm W 67mm cable length 400mm 1300rpm ebm-papst M4Q045-CA03-51/C18 3 mounting options bearing slide bearing for refrigerated counters		
spare parts for	601783		
	Part No.	601413	Ref. No. —
	fixing plate suitable for fanwheel ED ø 32mm shaft ø 7 mounting distance 26mm		
accessories for	601783		
	Part No.	601385	Ref. No. E181A1723401
	fan wheel sucking ø 172mm fan wheel mounting 25.4mm blade angle 34° W 42mm aluminium		

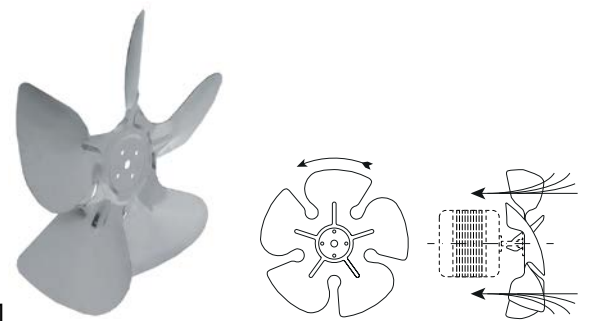
accessories

fan wheels

aluminium



Part No.	601385	Ref. No.	E181A1723401
description	fan wheel sucking ø 172mm fan wheel mounting 25.4mm blade angle 34° W 42mm aluminium		

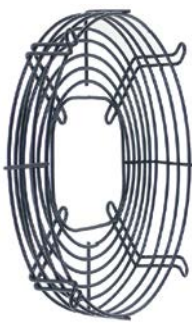


Part No.	602113	Ref. No.	E181A2303401
description	fan wheel sucking ø 230mm fan wheel mounting 25.4mm blade angle 34°		

fan guards

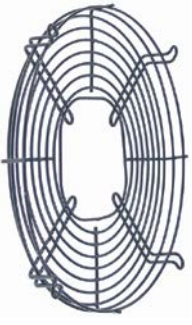


Part No.	601738	Ref. No.	GDS1134-38 GDS1600-38 GPS1600-38 GSA1134-38 GSA1600-38 GSF1600-38 S900.38
description	guard for fan wheel ø 170mm ø 216mm H 30mm mounting distance 1 224 up to 254mm mounting distance 2 94.5mm		



1

Part No.	602101	Ref. No.	E192A1200300 E192A1723800
description	guard ø 210mm H 35mm mounting distance 1 230mm mounting distance 2 100mm		



1

Part No.	602112	Ref. No.	E191A2303800 E192A2303800
description	guard ø 250mm H 28mm mounting distance 1 265mm mounting distance 2 115mm		

cross flow fans

IMPORT




1

Part No.	601812	Ref. No.	E17A2A130000 GRE2600.16 RC400.06 RC600.16
description	cross flow fan YJ61-14A-HZ01 roller ø 60mm roller length 180mm laminated core thickness 18mm motor position left 220-240V/50-60Hz 13W refrigeration bearing rubber connection plug -30 up to +100°C 220V cable length 300mm 50Hz		

accessories for cross flow fans

fasteners




1

Part No.	692388	Ref. No.	DL60001670 GRE2600-17 RC600.17
description	bracket for cross flow fan L 295mm W 85mm H 25mm Qty 1 pcs		

condensators & interference suppression filters

starting capacitors

starting capacitors




1

Part No.	365214	Ref. No.	RC600.12
description	starting capacitor 5µF 450V 50/60Hz duty cycle 5% ø 35mm L 60.5mm connection male faston 4.8mm		

electric accessories


cables

power supply cables




1

Part No.	698880	Ref. No.	E25EUB315300
description	connecting cable 3-pole contacts P+N+E 1.5mm ² max. 16A max 250V 2.9m		




1

Part No.	699313	Ref. No.	E25EUG310250 RN600.01
description	connecting cable CEE7/7 type E+F 3-pole contacts P+N+E 0.75mm ² max. 16A max 250V 2.87m		

1


Part No.	699317	Ref. No.	GPS1600-45 GSF1600-45 S900.47
description	connecting cable CEE7/7 type E+F 3-pole contacts P+N+E 1.5mm ² max. 16A max 250V 2.95m H05VV-F black		



1

Part No.	551193	Ref. No.	DL03001341 GHR1040-13 GHR2600-13 RW40.19
description	power lead CEE7/7 type E+F 3-pole contacts P+N+E 1.5mm ² max. 16A max 230V 1.37m H07RN-F 3G1.50mm ² countries A/B/D/F/I		

terminal boxes



1

Part No.	551214	Ref. No.	S900.48 S960.02
description	terminal box 4-pole L 90mm W 52mm H 28mm with strain relief Qty 1 pcs		

equipment-specific units


for fridges

spare parts and accessories



1

Part No.	698881	Ref. No.	P01AA08A0002
description	filter for condensate L 270mm W 228mm H 3.5mm plastic		



1

Part No.	750691	Ref. No.	P01AF00A0004 RN400.11 RN400.12
description	pressure compensation valve L 104mm W 59mm H 87mm		


housing and bezels

covers




1

Part No.	694588	Ref. No.	DL60001776 GRE2600-31 RC600.31
description	cover for axial flow fan W 663mm H 222mm plate thickness max. 0.7mm plate Qty 1 pcs		



1

Part No.	701271	Ref. No.	DL00009466 GHR1040-12 RW40.18
description	cover cap for Phillips screw plastic ø 12mm Qty 1 pcs		



1

Part No.	692389	Ref. No.	DL04001228 GHR1040-21 RW40.27
description	deflector L 304mm W 25mm H 125mm aluminium Qty 1 pcs		



control panel



1

Part No.	692381	Ref. No.	DL04001231 GHR1040-19 GHR2600-19 RW40.25
description	control panel for fridge W 72mm H 110mm Qty 1 pcs		



1

Part No.	699316	Ref. No.	RC400.20 RN400.21
description	front panel L 598mm W 78mm H 52mm		

housings



1

Part No.	692382	Ref. No.	DL03001148 GHR1040-18 GHR2600-18 RW40.24
description	housing for thermostat black L 110mm W 70mm H 55mm Qty 1 pcs		

holders



1

Part No.	692384	Ref. No.	DL52101002 GFR2600-21 P01AF07A0004 RN400.22 RN600.21
description	bracket for evaporator mounting pos. left L 98mm W 34mm H 37mm plastic Qty 1 pcs		



1

Part No.	692383	Ref. No.	DL52101005 GFR2600-20 P01AF07A0003 RN400.24 RN600.20
description	bracket for evaporator mounting pos. right L 98mm W 34mm H 37mm plastic Qty 1 pcs		

caps



1

Part No.	692735	Ref. No.	RC400.33 RN400.31
description	cap for evaporator fan grey ø 24mm mounting ø 18mm H 5mm		



1

Part No.	692372	Ref. No.	GDS1134-03 GDS1134-3 GDS1600-03 GDS1600-3 GHS1600-12 GPS1600-03 GPS1600-3 GSA1134-03 GSA1134-3 GSA1600-03 GSA1600-3 GSF1600-03 GSF1600-3 S900.03
description	cap grey ø 16.5mm mounting ø 12.5mm H 7mm Qty 1 pcs		


miscellaneous




1


Part No.	701268	Ref. No.	A01AF07A0002 GFR2600-32 RN400.23 RN600.32
description	U profile for evaporator L 635mm W 16mm H 13mm aluminium Qty 1 pcs		



			
1			
Part No.	701547	Ref. No.	RC400.17 RN400.18 S41AE62A0003
description	ventilation grille H 60mm L 600mm		

			
1			
Part No.	701267	Ref. No.	GFR2600-14 GRE2600-21 RC600.21 RN600.14 S41AE60A0014
description	ventilation grille white H 61mm L 770mm mounting pos. lower Qty 1 pcs		

drawers			
drawers			
			
1			
Part No.	699320	Ref. No.	S901-4D.51
description	drawer for fridge L 590mm W 428mm H 255mm stainless steel		

doors			
doors			
			
1			
Part No.	699406	Ref. No.	RC400.30 RN400.29 S41AE02A0002
description	door L 1715mm W 600mm H 76mm		

			
1			
Part No.	694543	Ref. No.	GFR2600-30 GRE2600-41 RC600.41 RN600.30
description	door W 765mm H 1740mm thickness 63mm		



miscellaneous



1

Part No.	692731	Ref. No.	RC600.11
description	bracket L 80mm W 58mm D 25mm zinc-plated sheet steel		



1

Part No.	692256	Ref. No.	GSA1134-29 GSA1600-29 S900.29
description	opposite support for bolt L 43mm hole ø 6mm hole distance 28.5mm		



1

Part No.	701272	Ref. No.	DL04001497 GHR1040-22 RW40.28
description	shelf large for fridge W 325mm H 9mm D 145mm plastic Qty 1 pcs		



1

Part No.	701274	Ref. No.	GHR1040-24 RW40.30
description	shelf set for door W 290mm H 60mm D 103/77mm plastic Qty 1 pcs		



1

Part No.	701273	Ref. No.	DL04001498 GHR1040-23 RW40.29
description	shelf small for fridge W 325mm H 9mm D 120mm plastic Qty 1 pcs		



1

Part No.	694590	Ref. No.	DL03001602 GHR1040-10 GHR2600-10 RW40.16
description	spacer ø 12mm ID ø 7.6mm H 1.4mm plastic Qty 1 pcs		



1

Part No.	694589	Ref. No.	DL03001894 GHR1040-20 RW40.26
description	water container for fridge L 71mm W 58mm H 35mm plastic Qty 1 pcs		

for refrigerated counters

housing and bezels



1

Part No.	699318	Ref. No.	S901-4D.49
description	support for refrigerated counters W 68mm H 364mm		

for freezer cabinets

housing and bezels



1

Part No.	692386	Ref. No.	GFR2600-26 GRE2600-35 RC600.35 RN600.26
description	front panel W 770mm H 52mm plastic Qty 1 pcs		



for display coolers

housing and bezels

fascias



1

Part No.	699319	Ref. No.	S901-4D.07
description	front panel for drawer W 428mm D 38mm H 255mm stainless steel		



1

Part No.	699401	Ref. No.	S24AC21A0001
description	front panel mounting pos. front W 865mm D 15mm H 248mm		



1

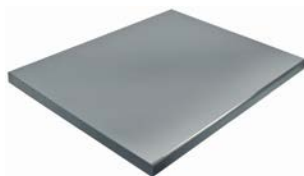
Part No.	699407	Ref. No.	S24AC20A0005
description	sheet mounting pos. upper for door W 890mm D 115mm H 10mm		

lids



1

Part No.	699403	Ref. No.	S24AC50A0003
description	top for display refrigerator W 910mm D 705mm H 125mm		



1

Part No.	699404	Ref. No.	S24AC30A0003
description	top for display refrigerator W 910mm D 705mm H 55mm		

housings



1

Part No.	699175	Ref. No.	P04AC21A0003
description	housing for control part W 200mm D 115mm H 95mm		



1

Part No.	699323	Ref. No.	VRX1560.2
description	housing for switch W 114mm D 68mm H 100mm		

side parts



1

Part No.	699324	Ref. No.	VRX38.12
description	side panel W 390mm D 40mm H 222mm		

miscellaneous



1

Part No.	692380	Ref. No.	DL03001614 GHR1040-25 GHR2600-25 RW40.31
description	spacer for bottles L 30mm W 8mm H 17mm plastic Qty 1 pcs		

doors




1

Part No.	699176	Ref. No.	S24AC22A0001-LEFT
description	door L 515mm W 425mm H 55mm mounting pos. left		




			
1			
Part No.	699177	Ref. No.	S24AC22A0001-RIGHT
description	door L 515mm W 425mm H 55mm mounting pos. right		


			
1			
Part No.	694541	Ref. No.	GHR1040-03 GHR2600-03 RW40.03
description	door W 395mm H 540mm		


			
1			
Part No.	699405	Ref. No.	S24AC50A0004
description	shelf L 255mm W 890mm H 30mm stainless steel		

for saladettes

spare parts and accessories


			
1			
Part No.	692740	Ref. No.	GDS1600-16 GPS1600-16 GSF1134-16 GSF1600-16 S900.16
description	cap for drain pipe \varnothing 20mm mounting \varnothing 15mm H 17.5mm plastic		


			
1			
Part No.	692739	Ref. No.	GDS1600-15 GPS1600-15 GSF1134-15 GSF1600-15 S900.15
description	drain pipe ED \varnothing 19mm ID \varnothing 15mm H 79mm plastic thread M20		

			
1			
Part No.	692742	Ref. No.	GDS1600-14 GPS1600-14 GSF1134-14 GSF1600-14 S900.14
description	nut for drain pipe thread M20 H 18mm WS 26 plastic		

housing and bezels

			
1			
Part No.	692343	Ref. No.	GSD1600-54 PS200.54
description	bridge for saladette L 182mm W 25mm H 13mm Qty 1 pcs		

			
1			
Part No.	692259	Ref. No.	GPS1600-59
description	bridge for saladette mounting pos. inner L 182mm W 23mm H 12.5mm aluminium		


1

Part No.	692260	Ref. No.	GPS1600-60
description	bridge for saladette mounting pos. outer L 207mm W 35mm H 41mm aluminium Qty 2 pcs		




1

Part No.	692692	Ref. No.	KITSR4AC2A00
description	bridge L 168/330/534mm 6 pieces		



1

Part No.	692691	Ref. No.	KITSR4AC4A00
description	bridge set 2-piece for saladette W 25mm D 184mm H 11mm		




1

Part No.	993263	Ref. No.	P04AC20A0006
description	cutting board L 950mm W 130mm H 20mm		



1

Part No.	692257	Ref. No.	GHS1600 GLASS FIXING KIT VRX.01 VRX.02 VRX.04 VRX.05 VRX.06 VRX33-38
description	mounting set for glass plate for saladette 53-piece Qty 1 pcs 6x mounting clip 7x angle 12x flat-headed bolt 14x bush 14x screw connection		



1

Part No.	692371	Ref. No.	GSA1134-25 GSA1600-25 S900.25
description	plug mounting ø 5.5mm ø 10mm H 13mm plastic Qty 1 pcs		

doors



1

Part No.	699325	Ref. No.	GSF1600-49 S900.54
description	door mounting pos. left W 427mm H 520mm D 36mm		



1

Part No.	699321	Ref. No.	GSF1600-07 S900.07
description	door mounting pos. right W 427mm H 520mm D 36mm		



1			
Part No.	701546	Ref. No.	S24AC22A0006
description	door bolt L 28mm mounting pos. upper thread L 8mm		

hinges

spring assisted hinges

producer-specific

RWA



1			
Part No.	701124	Ref. No.	GPS1134-06 GPS1134-6 GPS1600-06 GPS1600-6 GSF1134-06 GSF1134-6 GSF1600-06 GSF1600-6
description	spring assisted hinge mounting pos. 22x22 left/right L 76mm W 25mm H 101mm A 11mm B 15mm intake 7.5x7.5 refrigeration units mounting distance 25.4mm		



1			
Part No.	701586	Ref. No.	GN2100TN.04 Z04AA02A0007
description	spring assisted hinge mounting pos. left/right L 74.5mm W 25mm H 102mm mounting measurements 8x8mm refrigeration units mounting distance 25mm		



1			
Part No.	701318	Ref. No.	Z01AA02A0007
description	spring assisted hinge mounting pos. left/right L 75mm W 25mm H 100mm A 11mm B 15mm intake 7.5x7.5 refrigeration units mounting distance 25.4mm		



1			
Part No.	701145	Ref. No.	GFR2600-28 GRE2600-39 RC400.25 RC600.39 RN400.28 RN600.28 Z01AE62A0006
description	spring assisted hinge mounting pos. upper L 65mm W 23mm mounting distance 21mm		

door bearing



1			
Part No.	701256	Ref. No.	GSA1134-28 GSA1600-28 S900.28
description	bolt L 17mm mounting pos. left/right thread M4 ø 7mm for hinge Qty 1 pcs		





1			
Part No.	701275	Ref. No.	DL02201204 GRE2600-24 RC400.37 RC600.24 RN400.35 Z01AE62A0005
description	bolt L 19mm mounting pos. lower thread M6 ø 7mm for door hinge Qty 1 pcs		





1			
Part No.	701257	Ref. No.	GN2100TN.05 GPS1134-09 GPS1134-9 GPS1600-09 GPS1600-9 GSA1134-09 GSA1134-9 GSA1600-09 GSA1600-9 S900.06
description	bolt L 25mm mounting pos. upper thread M5 ø 7mm complete for door hinge Qty 1 pcs		





 <p>1</p>			
Part No.	701276	Ref. No.	GSF1134-09 GSF1134-9 GSF1600-09 GSF1600-9
description	bolt L 31mm mounting pos. upper thread M8 ø 5/7mm for door hinge Qty 1 pcs		


 <p>1</p>			
Part No.	701260	Ref. No.	GHR1040-08 GHR2600-08 RW40.14
description	hinge L 114mm W 50mm H 29mm mounting pos. left/right bottom bolt 16mm shaft ø 7mm Qty 1 pcs		


 <p>1</p>			
Part No.	701264	Ref. No.	GFR2600-16 RN600.16
description	bolt L 32mm mounting pos. lower thread M6 ø 7mm for door hinge Qty 1 pcs		


 <p>1</p>			
Part No.	692258	Ref. No.	GPS1134-50 GPS1600-50 GSA1134-50 GSA1600-50 GSF1134-50 GSF1600-50 S900.55
description	hinge L 30mm W 30mm H 45mm mounting pos. bottom left thickness 3mm		

 <p>1</p>			
Part No.	701265	Ref. No.	GFR2600-19 GRE2600-27 N01AE62A0009 RC400.35 RC600.27 RN400.33 RN600.19
description	bush H 12mm mounting pos. lower ø 19mm ID ø 14.5mm plastic for door hinge Qty 1 pcs		


 <p>1</p>			
Part No.	692374	Ref. No.	GPS1134-05 GPS1134-5 GPS1600-05 GPS1600-5 GSA1134-05 GSA1134-5 GSA1600-05 GSA1600-5 GSF1134-05 GSF1600-05 GSF1600-5 S900.05
description	hinge L 30mm W 30mm H 45mm mounting pos. bottom right thickness 3mm Qty 1 pcs		


 <p>1</p>			
Part No.	701263	Ref. No.	GFR2600-17 GRE2600-26 RC400.36 RC600.26 RN400.34 RN600.17 Z01AE62A0012
description	bush H 18mm mounting pos. lower ø 14mm ID ø 7.2mm for door hinge Qty 1 pcs		


 <p>1</p>			
Part No.	692375	Ref. No.	GSA1134-19.1 GSA1600-19.1 S900.19.1
description	hinge L 40mm W 43mm mounting pos. left/right for lid Qty 1 pcs		


 <p>1</p>			
Part No.	692379	Ref. No.	GN2100TM.04 GPS1134-51 GPS1600-51 GSA1134-51 GSA1600-51 GSF1134-51 GSF1600-51
description	bush L 23mm ø 9.8mm ID ø 7.3mm grey Qty 1 pcs		





			
1			
Part No.	692690	Ref. No.	S24AC22A0003
description	hinge L 40mm W 70mm H 22mm mounting distance 2 20mm		


			
1			
Part No.	701144	Ref. No.	A01AE62A0003 GFR2600-12 GRE2600-20 RC400.16 RC600.20 RN400.17 RN600.12
description	hinge L 59mm W 27mm H 59mm mounting pos. bottom left		


			
1			
Part No.	701143	Ref. No.	GFR2600-15 GRE2600-22 RC600.22 RN400.19 RN600.15
description	hinge L 59mm W 27mm H 59mm mounting pos. bottom right Qty 1 pcs		


			
1			
Part No.	701258	Ref. No.	GHR1040-06 GHR2600-06 RW40.12
description	hinge L 85mm W 13mm H 20mm mounting pos. upper left Qty 1 pcs		

			
1			
Part No.	701261	Ref. No.	GHR1040-07 GHR2600-07 RW40.13
description	hinge L 85mm W 13mm H 20mm mounting pos. upper right Qty 1 pcs		

			
1			
Part No.	698883	Ref. No.	Z01AA02A0004
description	hinge bearing L 180mm W 98mm mounting pos. lower Qty 1 pcs		


			
1			
Part No.	698884	Ref. No.	S21AA02A0002
description	hinge bearing L 55mm W 35mm H 80mm mounting pos. left thickness 3mm without bolt		

			
1			
Part No.	698885	Ref. No.	S21AA02A0003
description	hinge bearing L 55mm W 35mm H 80mm mounting pos. right thickness 3mm without bolt		

			
1			
Part No.	699179	Ref. No.	P01AA02A0008 RC700-15 RN700-15
description	hinge camp L 78mm W 28mm H 22mm mounting distance 27mm mounting pos. bottom right thickness 3mm		

accessories

base plate

			
1			
Part No.	701266	Ref. No.	GFR2600-34 GRE2600-42 RC400.34 RC600.42 RN400.32 RN600.34 Z01AE62A0010
description	base plate L 88mm W 35mm thickness 3mm for door hinge mounting pos. lower Qty 1 pcs		



pullouts

rollers

rollers



Part No.	692376	Ref. No.	GSA1134-24 GSA1600-24 S900.24
description	roller rollerø 12mm overall width 5mm A 12mm B 5mm plastic with screw connection bore ø 5.4mm thread M4 thread L 5.5mm Qty 1 pcs		

roller with holder



Part No.	692385	Ref. No.	GFR2600-11 GRE2600-23 RC600.23 RN600.11
description	roller rollerø 21mm B1 7mm with holder SS/plastic mounting pos. lower bearing ball bearing Qty 1 pcs L 52mm mounting distance 41mm		

equipment feet and end caps

equipment feet

with fixing plate



Part No.	701499	Ref. No.	KITFT1AA0A00
description	equipment feet kit tube ø 64mm plate size 85x85mm hole distance 56x56 up to 65x65mm H 120-185mm SS Qty 4 pcs		

screw-in feet



Part No.	700972	Ref. No.	GDS1134-13 GDS1600-13 GSA1134-13 GSA1600-13 GSD1600-13 S900.13
description	equipment foot thread M10 thread L 16mm ø 29mm H 11.5mm Qty 1 pcs for fridge		

Part No.	701262	Ref. No.	GFR2600-13 GRE2600-19 RC600.19 RN600.13
description	equipment foot thread M10 thread L 40mm ø 36mm H 15.5mm Qty 1 pcs		

Part No.	701324	Ref. No.	GSF1600-13
description	equipment foot thread M8 thread L 22mm ø 35mm H 29mm Qty 1 pcs L 41mm		

Part No.	701259	Ref. No.	GHR1040-35 GHR2600-35 RW40.42
description	equipment foot thread M8 thread L 31mm ø 30mm H 12mm Qty 1 pcs		

bolting feet

Part No.	701270	Ref. No.	DL04001696 GHR1040-09 RW40.15
description	equipment foot ø 20mm H 12mm plastic bore ø 5mm Qty 1 pcs GHR1040		

end caps and plugs

housing plugs

Part No.	692371	Ref. No.	GSA1134-25 GSA1600-25 S900.25
description	plug mounting ø 5.5mm ø 10mm H 13mm plastic Qty 1 pcs		



TENTE

with fixing plate

chrome-plated steel



1

Part No.	710026	Ref. No.	KITCS1AA0A00
description	swivel castor set ø 100mm threaded housing chrome-plated steel plate size 76x96mm hole distance 60mm bearing slide bearing wheel body polypropylene H 135mm wheel width 32mm set		

miscellaneous

diverse sets



1

Part No.	710027	Ref. No.	KITFT1AE06A0002 RC400.14 RC400.14+RC400.15 RN400.15 RN400.15+RN400.16
description	castor set with 2 feet ø 21.5mm threaded plate size 40x58mm hole distance 24/42mm wheel body plastic wheel width 33mm		

shelves and shelf rails

grates

universal

with upstand



1

Part No.	750368	Ref. No.	GSD1600-11 I04AA09A0001 S900.11
description	grate W 320mm D 560mm plastic-coated steel wire gauge frame 7.5mm lengthwise wires gauge 3.5mm crossing wires 2 grey		



1

Part No.	970925	Ref. No.	S14AC29A0001
description	grate W 325mm D 570mm GN 1/1 H 55mm plastic-coated steel wire gauge frame 7.5mm lengthwise wires gauge 4mm crossing wires 3 grey		



1

Part No.	970926	Ref. No.	I01AE09A0001 RC400.31
description	grate W 500mm D 400mm H 47mm plastic-coated steel wire gauge frame 8mm lengthwise wires gauge 4.5mm crossing wires 1 white		



1

Part No.	970791	Ref. No.	DL60001450 GRE2600-28 RC600.28
description	grate W 650mm D 530mm GN 2/1 H 10mm plastic-coated steel upper wire gauge frame 8mm lengthwise wires gauge 4mm crossing wires 3 white		



1

Part No.	970909	Ref. No.	I01AA09A0002
description	grate W 650mm D 530mm GN 2/1 H 43mm plastic-coated steel wire gauge frame 7mm lengthwise wires gauge 4mm crossing wires 3 grey		

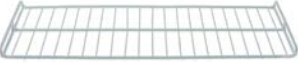
producer-specific




1

Part No.	971150	Ref. No.	DL60001665 GRE2600-09 RC600.09
description	chargrill grid W 693mm D 303mm H 6mm plastic-coated steel lengthwise wires gauge 4mm crossing wires 4 white		




1 

Part No.	970792	Ref. No.	DL60001129 GRE2600-25 RC600.25
description	grate W 185mm D 640mm plastic-coated steel lower wire gauge frame 7mm lengthwise wires gauge 3.5mm white		

1 


Part No.	970927	Ref. No.	I01AE09A0002 RC400.32
description	grate W 500mm D 200mm H 25mm plastic-coated steel wire gauge frame 8mm lengthwise wires gauge 4mm crossing wires 1 white		

1 


Part No.	971149	Ref. No.	GFR2600-05 I01AF09A0001 RN600.05
description	grate W 715mm H 55mm plastic-coated steel L 365mm lengthwise wires gauge 4mm crossing wires 4 white		

shelf rails and supports

producer-specific

1 

Part No.	698882	Ref. No.	S21AA09A0001
description	guide L 1240mm W 35mm inner height 30mm hook width 16.5mm mounting pos. left/right		

1 


Part No.	701585	Ref. No.	GPS1600-12 GSF1600-12 S900.12
description	pair of setting bar L 245mm W 29mm H 15mm		

1 


Part No.	701500	Ref. No.	KITGD1AA0A00 KITGDIAA0A00
description	pair of setting bar L 670mm W 15mm H 20mm mounting pos. left/right pair		

1 


Part No.	696443	Ref. No.	GPS1134-10 GPS1600-10 GSA1134-10 GSA1600-10 GSF1134-10 GSF1600-10 KITGD4AC2A00 S900.10.1
description	pair of setting bar U-shape L 548mm W 20mm inner height 13mm mounting pos. left/right		

1 

Part No.	696388	Ref. No.	GN2100TN.31 S900.10
description	pair of setting bar U-shape L 550mm W 20mm H 17mm mounting pos. left/right		

1 

Part No.	701269	Ref. No.	RC600.29
description	rack L 1172mm W 22mm aluminium hole distance 13mm Qty 1 pcs aperture 3x8mm		

1 

Part No.	701550	Ref. No.	S24AC29A0002
description	rack L 244mm W 50mm H 8mm mounting pos. front		



1

Part No.	Ref. No.	S24SC29A0003
description	rack L 244mm W 50mm H 8mm mounting pos. rear	

1



Part No.	701548	Ref. No.	GSF1600-48 S24AC29A0004 S900.50
description	rack L 245mm W 40mm H 30mm mounting pos. left		

1



Part No.	701549	Ref. No.	GPS1600-18 GSF1600-18 S24AC29A0005 S900.18
description	rack L 245mm W 40mm H 30mm mounting pos. right		

1



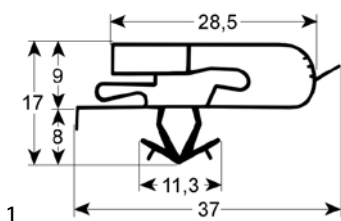
Part No.	692387	Ref. No.	GRE2600-32 RC600.32
description	shelf support L 31/28mm W 22mm H 19mm Qty 1 pcs		

gaskets

refrigeration gaskets

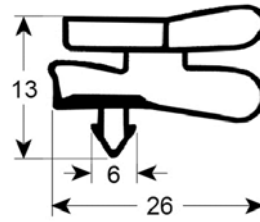
plug-in gaskets

profile 9146



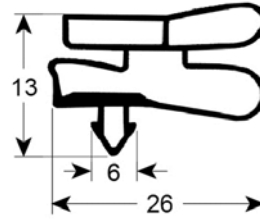
Part No.	902133	Ref. No.	R01AA02A0005
description	refrigeration gasket profile 9146 W 630mm L 1500mm plug size		

profile 9149



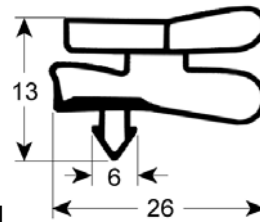
1

Part No.	902216	Ref. No.	R04AC22A0002
description	refrigeration gasket profile 9149 W 385mm L 480mm plug size		



1

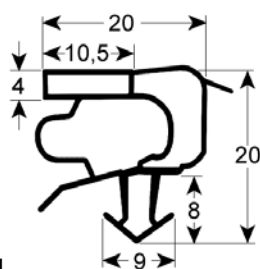
Part No.	902215	Ref. No.	R01AE02A0002 RC400.29 RN400.30
description	refrigeration gasket profile 9149 W 555mm L 1680mm plug size		



1

Part No.	901524	Ref. No.	GFR2600-29 GRE2600-40 R01AE62A0002 RC600.40 RN600.29
description	refrigeration gasket profile 9149 W 720mm L 1710mm plug size		

profile 9152



1

Part No.	902421	Ref. No.	S901-4D.08
description	refrigeration gasket profile 9152 W 225mm L 390mm plug size		



Part No.	901486	Ref. No.	GPS1134-08 GPS1600-08 GSA1134-08 GSA1600-08 GSF1134-08 GSF1600-08 R04AA02A0004 S900.08
description	refrigeration gasket profile 9152 W 390mm L 485mm plug size		

screw-in gaskets

profile 9135

Part No.	901520	Ref. No.	GHR1040-02 GHR2600-02 RW40.02
description	refrigeration gasket profile 9135 W 380mm L 520mm external size Qty 1		

refrigeration cycle components

valves

Schrader valves

Schrader valves (complete)

Part No.	750636	Ref. No.	C01AA06A0003 GDS1600-36 GDS1600-42 GPS1134-36 GPS1134-42 GPS1600-36 GPS1600-42 GSF1600-36 GSF1600-42 S900.36 S900.42
description	Schrader valve complete connection 1/4"SAE ø 6mm L 120mm		

filter driers

miscellaneous

Part No.	750378	Ref. No.	C01AE66A0001 C04AC26A0001 GFR2600-04 GRE2600-03 RC400.12 RC600.03 RN400.07 RN600.04
description	dryer ø 19mm L 145mm connection 4,5/8mm type XH9 Qty 1 pcs		

Part No.	750641	Ref. No.	C01AA06A0001
description	dryer ø 29mm L 120.5mm connection 8/8mm Qty 1 pcs		

Part No.	750324	Ref. No.	GDS1134-44 GDS1600-44 GHS1600-10 GPS1600-44 GSA1134-44 GSA1600-44 GSF1600-44 S900.44
description	dryer size 20g ø 23mm L 117mm connection 4,8/8,3mm		

Part No.	750635	Ref. No.	C01AA06A0006
description	dryer ø 58mm L 120mm connection 1/4" ODF type SDCL-0325 Qty 1 pcs		



refrigeration pipes

capillary pipes



1

Part No.	694914	Ref. No.	C01AA06A0002
description	capillary pipe L 2790mm ED ø 1.4mm Qty 1		

copper pipes uninsulated



1

Part No.	694931	Ref. No.	GPS1600-43 GSF1600-43 S900.43 VRX.15
description	capillary pipe ID ø 0.8mm ED ø 2mm L 2340m		

copper pipes insulated



1

Part No.	694913	Ref. No.	C01AA06A0004
description	copper pipe with insulation thickness 8mm insulation thickness 4mm L 1060mm Qty 1		



1

Part No.	699322	Ref. No.	GPS1600-39 GSF1600-39 S900.39
description	refrigeration pipe pipe ø 6 insulation thickness 8mm L 525mm		

insulation



1

Part No.	694930	Ref. No.	RC600.10
description	insulating hose thickness 8mm model 3/8"x5/8" refrigeration ID ø 20mm		

heating tubes



1

Part No.	701501	Ref. No.	C01AA06A0005
description	heater ED ø 6.5mm ID ø 4.5mm L 210mm Qty 1		




1

Part No.	701556	Ref. No.	C01AA46A0005
description	heater ED ø 6.5mm ID ø 5mm L 200mm		





1

Part No.	701583	Ref. No.	C04AC26A0002
description	heater ED ø 6mm ID ø 3mm L 260mm copper		



1

Part No.	701584	Ref. No.	RC600.07 RC600.15
description	heater ED ø 6mm ID ø 5mm L 330mm copper		




1

Part No.	699400	Ref. No.	C01AE06A0001 RC400.10
description	heater mounting pos. lower ø 6mm L 300mm W 155mm H 170mm		

evaporators


for fridges

producer-specific




1

Part No.	750640	Ref. No.	C01AA48A0001
description	condenser L 245mm W 255mm D 160mm overall height 290mm		



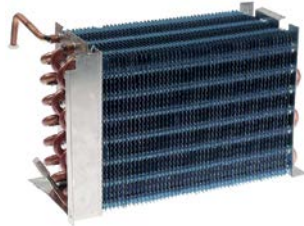
1

Part No.	750367	Ref. No.	DL52101004 GFR2600-31 I01AF07A0001 RN600.31
description	evaporator for deep freezer GFR2600 L 600mm W 450mm H 1200mm		



1

Part No.	750361	Ref. No.	GRE2600-04 RC600.04
description	evaporator for fridge L 1000mm W 471mm		



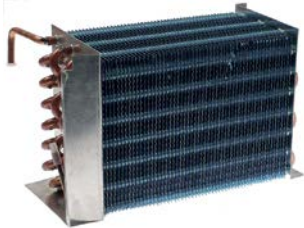
1

Part No.	750638	Ref. No.	C01AA07A0001
description	evaporator L 245mm W 135mm H 190mm total length 310mm overall width 230mm overall height 190mm RC 700 series		



1

Part No.	750637	Ref. No.	C01AA08A0001
description	evaporator L 257mm W 255mm H 122mm overall width 260mm mounting distance 1 187mm		



1

Part No.	750639	Ref. No.	C01AA47A0001
description	evaporator L 305mm W 185mm H 135mm total length 290mm		

for display coolers



1

Part No.	750690	Ref. No.	I01AE47A0001 RN400.02
description	evaporator W 430mm D 415mm H 1210mm		

accessories

miscellaneous



1

Part No.	699408	Ref. No.	P01AE60A0006 RC400.24
description	clip for evaporator \varnothing 31.5mm		



1

Part No.	701268	Ref. No.	A01AF07A0002 GFR2600-32 RN400.23 RN600.32
description	U profile for evaporator L 635mm W 16mm H 13mm aluminium Qty 1 pcs		

condensers
filters

1

Part No.	694587	Ref. No.	GDS1134-04 GDS1134-4 GDS1600-04 GDS1600-4 GPS1600-04 GPS1600-4 GSA1134-04 GSA1134-4 GSA1600-04 GSA1600-4 GSD1600-04 GSD1600-4 GSF1600-04 GSF1600-4 S900.04
description	air filter for condenser L 218mm W 194mm thickness 6mm Qty 1 pcs		

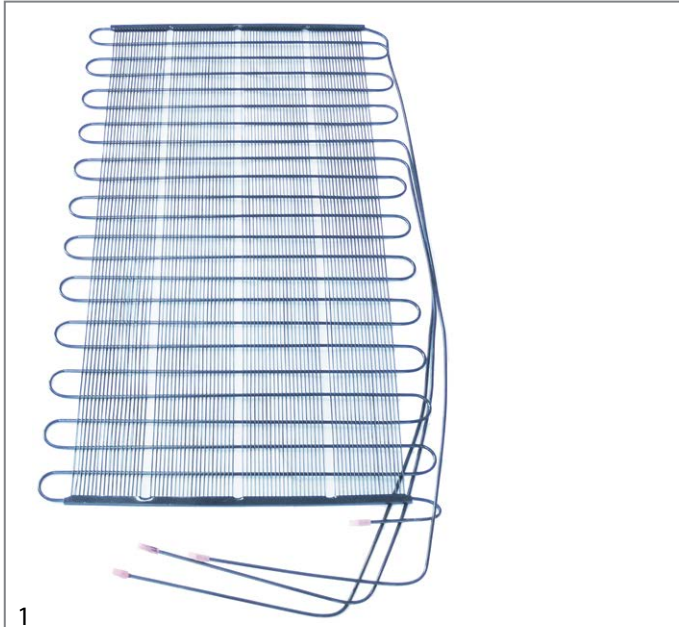


1

Part No.	699402	Ref. No.	P04AC28A0002
description	filter for condenser L 218mm W 230mm thickness 6mm Qty 1 pcs		

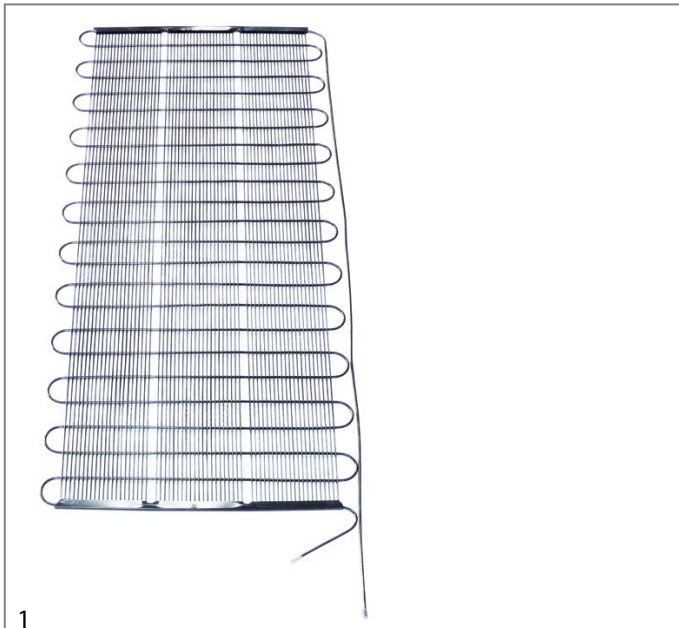


condensers



1

Part No.	750379	Ref. No.	DL52101157 GFR2600-03 RN600.03
description	condenser for deep freezer W 640mm H 1165mm Qty 1 pcs		



1

Part No.	750360	Ref. No.	GRE2600-05 RC600.05
description	condenser for fridge W 500mm H 1170mm Qty 1 pcs		



1

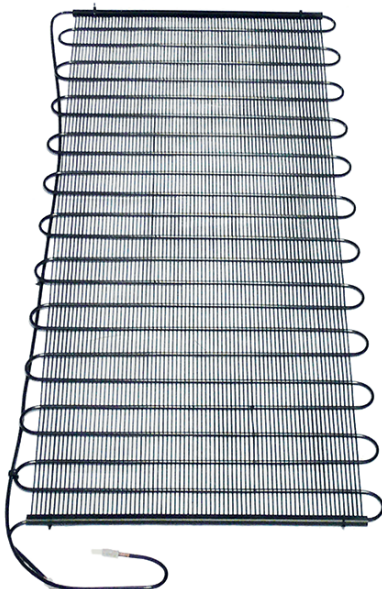
Part No.	750319	Ref. No.	GHS1600-11 VRX.11
description	condenser for pizza table W 228mm D 77mm H 179mm		



1


Part No.	750347	Ref. No.	C04AC28A0001 GDS1134-35 GDS1600-35 GPS1600-35 GSA1134-35 GSA1600-35 GSD1600-35 GSF1600-35 S900.35
description	condenser W 220mm D 100mm H 230mm L 270mm		





			
1			
Part No.	750689	Ref. No.	I01AE48A0001 RC400.03 RN400.03
description	condenser W 550mm D 7mm H 1170mm Qty 1 pcs		

evaporation and condensing trays

evaporation trays

			
1			
Part No.	750696	Ref. No.	P01AA03A0010
description	drip tray L 298mm W 118mm H 22mm		


			
1			
Part No.	750695	Ref. No.	S21AA43A0006
description	evaporation tray L 312mm W 244mm H 13mm		


			
1			
Part No.	750380	Ref. No.	DL18801673 GRE2600-06 RC400.11 RC600.06
description	evaporation tray unheated L 205mm W 155mm H 78mm for deep freezer Qty 1 pcs		


kitchen accessories

gastronorm

bridges

			
1			
Part No.	692377	Ref. No.	GSA1134-20 GSA1600-20 S900.20
description	bridge for Gastronorm container L1 180mm L2 200mm SS W 38mm H 12.5mm Qty 1 pcs thickness 0.6mm		

			
1			
Part No.	692378	Ref. No.	GSA1134-21 GSA1600-21 S900.21
description	bridge for Gastronorm container L1 325mm L2 295mm SS W 23mm H 14mm Qty 1 pcs thickness 0.9mm		


			
1			
Part No.	692262	Ref. No.	GSA1134-22 GSA1600-22 S900.22
description	bridge for Gastronorm container L1 530mm L2 550mm SS W 23mm H 14mm Qty 1 pcs thickness 0.7mm		

hoses

industrial hoses

PVC hoses

PVC hoses without fabric

			
1			
Part No.	520637	Ref. No.	GHR1040-28 GHR2600-28 RW40.34
description	PVC hose ID \varnothing 6mm ED \varnothing 9mm L 0.4m thickness 1.5mm t.max. 60°C transparent		



fastening material

screws

flat-headed bolts



1

Part No.	560504	Ref. No.	DL00003005(100STK) GHR1040-05(100STK) RW40.11(100STK)
description	flat-headed bolt thread M5 thread L 16mm DIN 7985 Qty 100 pcs intake Phillips head ø 8mm		



1

Part No.	560281	Ref. No.	DL00003005 GHR1040-05 RW40.11
description	flat-headed bolt thread M5 thread L 16mm SS DIN 7985/ISO 7045 Qty 1 pcs intake Phillips head ø 10mm head thickness 2mm		

nuts

hexagonal nuts

hexagonal nuts metric (without norm)



1

Part No.	692742	Ref. No.	GDS1600-14 GPS1600-14 GSF1134-14 GSF1600-14 S900.14
description	nut for drain pipe thread M20 H 18mm WS 26 plastic		

GASTROPARTS.COM

