



**GASTROPARTS**

# Middleby Marshall

- [EN]** Equipment
- [DE]** Geräte
- [ES]** Aparatos
- [FR]** Équipement
- [IT]** Attrezzature
- [PL]** Urządzenia
- [RU]** Оборудование

✉ [gastroparts@gastroparts.com](mailto:gastroparts@gastroparts.com)

☎ tel. +48 56 657 00 66

📘 [fb.com/gastroparts.global](https://fb.com/gastroparts.global)

**GASTROPARTS.COM**





## switches and momentary switches

### rocker/momentary rocker switches

37x21mm



1

<b>Part No.</b>	348093	<b>Ref. No.</b>	3027A8715
<b>description</b>	rocker switch mounting measurements 37x21mm black 2CO 250V 10A connection male faston 6.3mm ambient temperature max. 125/55°C protection IP55		

### microswitches

#### with push button

#### switches with snap-fit



1

<b>Part No.</b>	348120	<b>Ref. No.</b>	63910
<b>description</b>	microswitch with push button 250V 12A 2CO connection male faston 4.8mm L 39.5mm L1 16.5mm ambient temperature max. 85°C type LAMB PP2 actuating force: 350g		



1

<b>Part No.</b>	348118	<b>Ref. No.</b>	63909
<b>description</b>	microswitch with push button 250V 16A 2CO connection male faston 4.8mm L 39.5mm L1 16.5mm ambient temperature max. 85°C type LAMB PP2 actuating force: 400g		

### touch sensitive light switches



1

<b>Part No.</b>	403589	<b>Ref. No.</b>	50163
<b>description</b>	sensor 1NOVA accessories rangemm L 40mm W 12.6mm H 12.6mm suitable for MIDDLEBY MARSHALL		

## control equipment

### GENERAL ELECTRIC (AEG)

#### switches (complete)



1

<b>Part No.</b>	348119	<b>Ref. No.</b>	46521
<b>description</b>	rotary selector mounting measurements ø22mm complete symbol 1NO		

## timers

### electric timers



1

<b>Part No.</b>	360648	<b>Ref. No.</b>	M3172
<b>description</b>	timer 601-16B/2S operation time 2 sec time spreadmin 1NO at 250V 1A permanent position no time rangemin 1A shaft ømm shaftmm shaft Lmm connection male faston 6.3mm ACP 230V voltage AC 50/60Hz		

## contactors

### LOVATO

#### power contactors



1

<b>Part No.</b>	380716	<b>Ref. No.</b>	28041-0011
<b>description</b>	power contactor resistive load 28A 230VAC (AC3/400V) 12A/5.7kW main contacts 3NO auxiliary contacts 1NO connection screw connection type BF1210A230		



## SPRECHER+SCHUH

## power contactors



1

<b>Part No.</b>	381362	<b>Ref. No.</b>	44549
<b>description</b>	contactor resistive load 85A 220VAC (AC3/400V) 22kW main contacts 3 auxiliary contacts connection screw type CA7-43-00		

## solid state relays

## CRYDOM



1

<b>Part No.</b>	403579	<b>Ref. No.</b>	31463
<b>description</b>	solid state relay CRYDOM 1 phase 75A 48-480V 90-280VAC L 58.4mm W 45.7mm screw type HA4875		



1

<b>Part No.</b>	403578	<b>Ref. No.</b>	82905
<b>description</b>	solid state relay CRYDOM 1 phase 75A 48-530V 3-32VDC L 58.4mm W 45.7mm screw type HD4875		

## relays

## power relays

## with bracket mounting



1

<b>Part No.</b>	381361	<b>Ref. No.</b>	50794
<b>description</b>	relay ET 240 20A 1NO connection male faston 6.3mm raster size 55mm flange dimensions 52x34x26mm at 250V 20A manuf. no. T92S7A22-240 moulded		



1

<b>Part No.</b>	381294	<b>Ref. No.</b>	59132
<b>description</b>	relay OMRON 24VDC 10A 2CO connection F4.8 bracket mounting manuf. no. LY2F 24DC		

## time relays

## time relays



1

<b>Part No.</b>	381366	<b>Ref. No.</b>	M6519
<b>description</b>	time relay Relay Service Co. Chi, IL X99KUE5 240VACA 2CO connection male faston 4.8mm mounting measurements 38x35x80mm		



## transformers

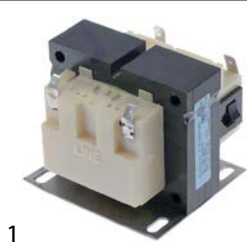
### open transformers

#### with plug connection



1

<b>Part No.</b>	403588	<b>Ref. No.</b>	41872
<b>description</b>	transformer primary 115/240VAC secondary 12/24VAC 625VA secondary 2.5A H 60mm L 70mm W 55mm connection male faston 4.8mm 50/60Hz type VPS24-1000		



1

<b>Part No.</b>	403593	<b>Ref. No.</b>	32108
<b>description</b>	transformer primary 240VAC secondary 24VAC 65VA secondary 2.7A H 65mm L 83mm W 76mm connection male faston 6.3mm 50/60Hz type BE222765LEK		



1

<b>Part No.</b>	403587	<b>Ref. No.</b>	35818
<b>description</b>	transformer primary 250V secondary 12VAC 625VA secondary 2.5A H 60mm L 73mm W 56mm connection male faston 4.8mm 50/60Hz type 1241P2-RF		

### power supplies



1

<b>Part No.</b>	403590	<b>Ref. No.</b>	69533 M9608
<b>description</b>	power supply primary 220-240 secondary 24VDC 156VA secondary 6.5A H 38mm L 200mm W 100mm connection screw 50/60Hz type RS-150-24		

## probes

### producer-specific probes

#### probes



1

<b>Part No.</b>	403592	<b>Ref. No.</b>	33812-1
<b>description</b>	probe cable fabric probe°C cable°C connection male faston 6.3mm thread flange probe cable length 2m MIDDLEBY MARSHALL		



1

<b>Part No.</b>	403591	<b>Ref. No.</b>	M2282 M3152
<b>description</b>	probe cable fabric probe°C cable°C connection male faston 6.3mm thread probe cable length 2.9m MIDDLEBY MARSHALL		

## electronics

### PCBs



1

<b>Part No.</b>	403594	<b>Ref. No.</b>	37503
<b>description</b>	display run-time conveyor oven L 38mm W 58mm suitable for MIDDLEBY MARSHALL cable length 75mm black/red		



1

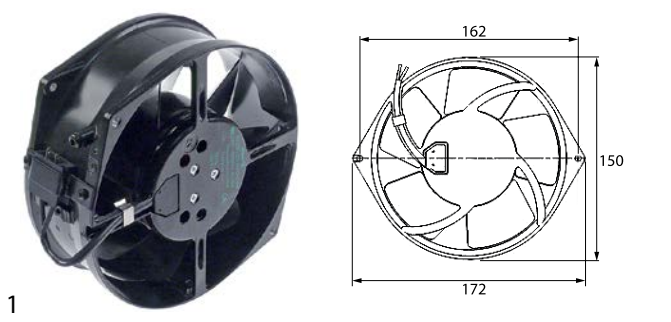
<b>Part No.</b>	403586	<b>Ref. No.</b>	64998 67050 67051
<b>description</b>	electronic kit control pizza oven suitable for MIDDLEBY MARSHALL display touchscreen		



fans

axial fans

ebm-papst



1			
<b>Part No.</b>	602036	<b>Ref. No.</b>	36451
<b>description</b>	axial fan L 172mm W 150mm H 55mm 230 50/60Hz 45/39W bearing ball bearing connection male faston 2.8mm manuf. no. W2S130-AA03-44 cable lengthmm ebm-papst fan wheel ø 135mm temp.-resist. 70°C airflow 6.3m <sup>3</sup> /h		

import



1			
<b>Part No.</b>	602037	<b>Ref. No.</b>	M9616
<b>description</b>	axial fan L 119mm W 119mm H 38mm 24VDC 11W bearing manuf. no. 4715KL-05W-B40 connection cable 330mm NMB suitable for MIDDLEBY MARSHALL fan wheel ø 110mm input current 0.46A airflow 3.34m <sup>3</sup> /h		



1			
<b>Part No.</b>	602038	<b>Ref. No.</b>	M2469
<b>description</b>	axial fan L 120mm W 120mm H 38mm 115VAC 50/60Hz 20W bearing ball bearing manuf. no. SP101A-1123HBT.GN connection male faston 2.8mm cable lengthmm SUNON suitable for MIDDLEBY MARSHALL fan wheel ø 110mm input current 0.21A housing cast aluminum airflow 147m <sup>3</sup> /h		

fuses

fine fuses

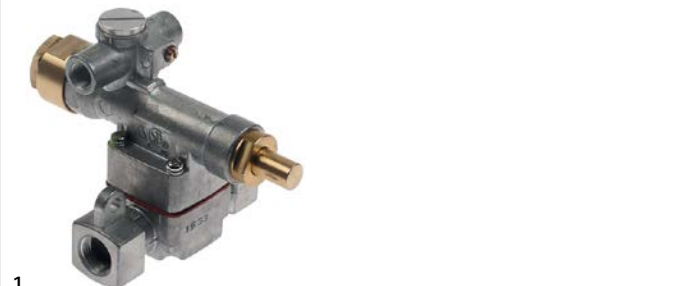


1			
<b>Part No.</b>	358181	<b>Ref. No.</b>	28154-0003
<b>description</b>	fine fuse size 10x38 9A fast-acting type FLM 9A Qty 1 pcs		

gas taps

AB

gas taps



1			
<b>Part No.</b>	107924	<b>Ref. No.</b>	N/A
<b>description</b>	gas tap AB type ATS11 gas outlet 7/16"-24 UNS		

gas valves and ignition boxes

ignition boxes

miscellaneous



1			
<b>Part No.</b>	107756	<b>Ref. No.</b>	62285
<b>description</b>	ignition box FENWAL type 35-605313-111 electrodes 1 waiting time 15s safety time 4s 24V 0.83Hz		



1			
<b>Part No.</b>	107755	<b>Ref. No.</b>	62341
<b>description</b>	ignition box FENWAL type 35-630201-005 electrodes 1 waiting time 0s 24V 0.83Hz		



safety valves

BASO



1

<b>Part No.</b>	107757	<b>Ref. No.</b>	52291 59465
<b>description</b>	gas valve pipes pressure range 50mbar gas inlet 1/2" gas outlet 1/2" pilot connection thermocouple connection type G960BBADGA-1 suitable for MIDDLEBY MARSHALL		

electrodes



1

<b>Part No.</b>	104664	<b>Ref. No.</b>	62288
<b>description</b>	ignition electrode kit flange length 48mm flange width 23mm D1 ø 9,5mm L1 32mm BL1 19mm BL2 20mm flange connection ø 6mm		

ignition parts

pilot burners

producer-specific pilot burners

MIDDLEBY MARSHALL



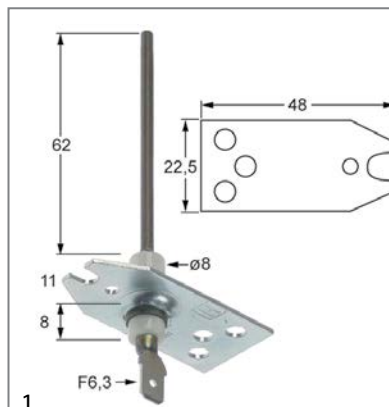
1

<b>Part No.</b>	107754	<b>Ref. No.</b>	M10593
<b>description</b>	pilot burner MIDDLEBY MARSHALL type W1025 3 natural/liquid gas nozzle ø 14mm gas connection 1/4"mm set bore ø 2.6mm		



1

<b>Part No.</b>	107758	<b>Ref. No.</b>	M6397
<b>description</b>	pilot burner MIDDLEBY MARSHALL type W1042 3 natural/liquid gas nozzle ø 14mm gas connection 1/4"mm set bore ø 2.6mm		



1

<b>Part No.</b>	109120	<b>Ref. No.</b>	45771
<b>description</b>	monitoring electrode flange length 48mm D1 ø 8mm flange width 22.5mm L1 62mm BL1 11mm BL2 8mm connection male faston 6.3mm		

ignition cables

various



1

<b>Part No.</b>	103253	<b>Ref. No.</b>	50240
<b>description</b>	ignition cable cable length 650mm connection ø6.3mm Qty 1m 1.5mm² ED ø 7mm insulation silicone conductor 1 black t.max. 220°C <10hm		

thermocouples


producer-specific thermocouples

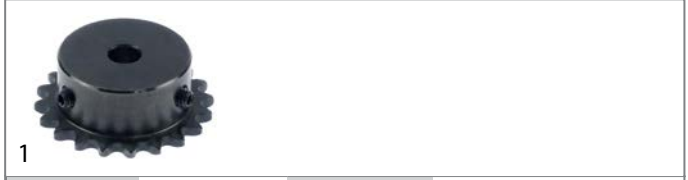


1

<b>Part No.</b>	381367	<b>Ref. No.</b>	33984
<b>description</b>	thermocouple MIDDLEBY MARSHALL suitable for conveyor oven complete auxiliary equipment L 170mm		




			
<b>Part No.</b>	381368	<b>Ref. No.</b>	33985
<b>description</b>	thermocouple MIDDLEBY MARSHALL suitable for conveyor oven complete auxiliary equipment L 360mm		

			
<b>Part No.</b>	698651	<b>Ref. No.</b>	34128
<b>description</b>	sprocket-wheel DIN/ISO splitting 25-1 teeth 20 shaft intake ø 8mm roller ø 32mm ø 43.7mm tooth width 2.7mm hub ø 32mm metal W 16mm for transport system		

## equipment-specific units

### for milk foamers

			
<b>Part No.</b>	527373	<b>Ref. No.</b>	22450-0297
<b>description</b>	silicone hose ID ø 5mm ED ø 8mm L 115mm		

### for pizza ovens

#### miscellaneous

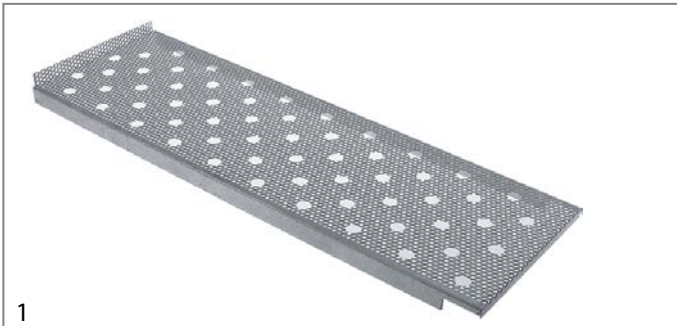
			
<b>Part No.</b>	698654	<b>Ref. No.</b>	51077
<b>description</b>	V-belt pulley set disc ø 95mm shaft intake ø 40mm groove depth 12.5mm disc width 20mm groove width 11.5mm overall width 22.3mm metal MIDDLEBY MARSHALL H 22mm with poly-V-belt shaft ø 40mm		

### for conveyor oven

#### miscellaneous

			
<b>Part No.</b>	694811	<b>Ref. No.</b>	30830
<b>description</b>	cover hinge camp angled L 267x64mm SS		

			
<b>Part No.</b>	694814	<b>Ref. No.</b>	50224
<b>description</b>	V-ripped belt pulley grooves 6 disc ø 45mm shaft intake ø 15.8mm disc width 30mm groove depth 1mm groove width 1.2mm overall width 30mm metal MIDDLEBY MARSHALL shaft ø 15mm		

			
<b>Part No.</b>	694817	<b>Ref. No.</b>	42679
<b>description</b>	cover perforated mounting pos. control L 520x170mm SS		

## transmission technology and ball bearings

### ball bearings

#### flange bearings

			
<b>Part No.</b>	523053	<b>Ref. No.</b>	22072-0025 64106
<b>description</b>	ball bearing type P2B-SCAH-010 shaft ø 15.7mm W 31mm L 127mm hole distance 96mm		



drive belts

high-performance V-belts, cogged



1

<b>Part No.</b>	691635	<b>Ref. No.</b>	34259
<b>description</b>	V-belt belt width 13mm L 1655mm H 8mm CODE AX63 profile AX/X13		

toothed belts



1

<b>Part No.</b>	698646	<b>Ref. No.</b>	50584
<b>description</b>	toothed belt profile AX62 L 1574mm H 9mm teeth 256 splitting 5-3 rubber with textile insertion CODE 9012-2062 W 12mm		



1

<b>Part No.</b>	698649	<b>Ref. No.</b>	44685
<b>description</b>	toothed belt profile L L 450mm H 3mm teeth 46 splitting 4-6 rubber with textile insertion CODE 173L W 12mm		



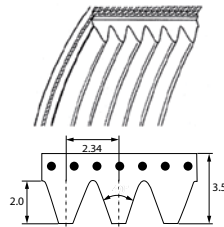
1

<b>Part No.</b>	698645	<b>Ref. No.</b>	BL/M10572
<b>description</b>	toothed belt profile XL L 400mm H 2mm teeth 85 splitting 2-3 rubber with textile insertion CODE L13-4 W 9mm		

poly-v belts



1



<b>Part No.</b>	692604	<b>Ref. No.</b>	59668
<b>description</b>	poly-v belt grooves 6 W 14mm L 560mm profile J		

hoses

industrial hoses

silicone hoses

without fabric



1

<b>Part No.</b>	527373	<b>Ref. No.</b>	22450-0297
<b>description</b>	silicone hose ID ø 5mm ED ø 8mm L 115mm		

fastening material

screws

countersunk screws



1

<b>Part No.</b>	692603	<b>Ref. No.</b>	M1118
<b>description</b>	countersunk screw thread 1/4" UNC L 15mm SS head ø 11.6mm ø 6.14mm		



**GASTRO**PARTS.COM

