



**GASTROPARTS**

# AltoShaam

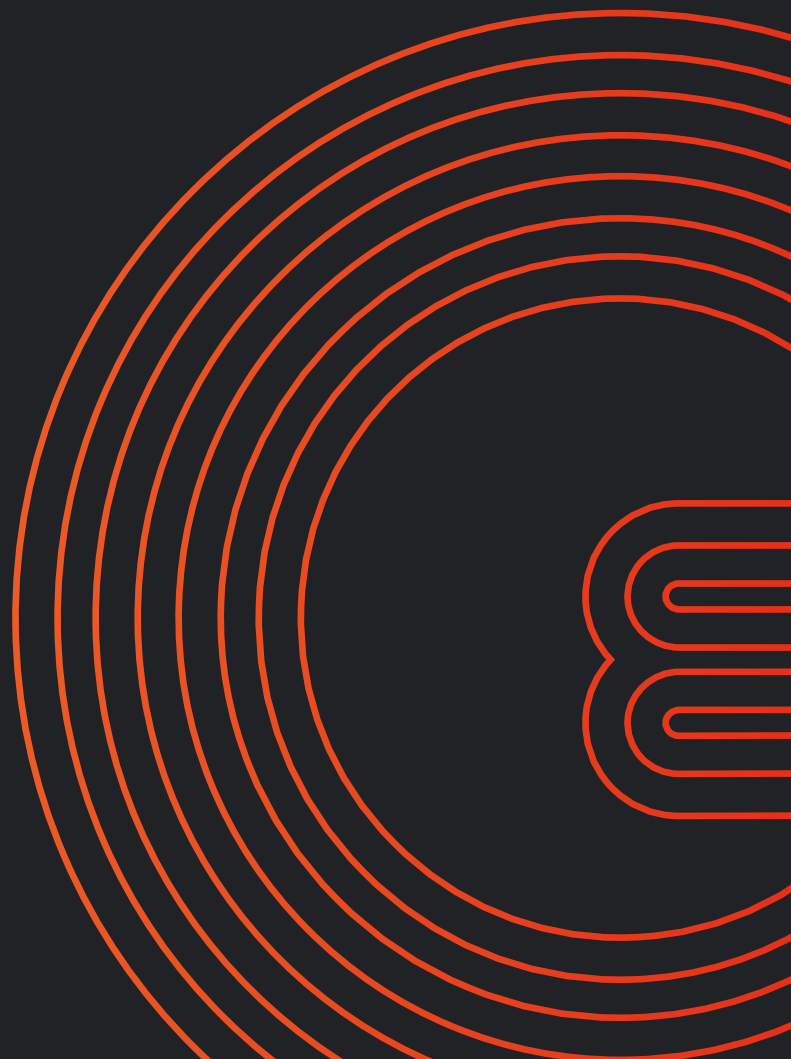
- [EN]** Equipment
- [DE]** Geräte
- [ES]** Aparatos
- [FR]** Équipement
- [IT]** Attrezzature
- [PL]** Urządzenia
- [RU]** Оборудование

✉ [gastroparts@gastroparts.com](mailto:gastroparts@gastroparts.com)

☎ +48 56 657 00 66

📘 [fb.com/gastroparts.global](https://fb.com/gastroparts.global)


**GASTROPARTS.COM**






## heating elements

### heating elements for ovens



1

<b>Part No.</b>	420576	<b>Ref. No.</b>	EL-35216 EL38643R
<b>description</b>	heating element 452/600W 208/240V heating circuits 1 L 170mm W 140mm L1 60mm L2 110mm W1 55mm W2 30mm flange length 60mm flange width 42mm hole ø 5mm tube ø 8.5mm connection M4 windings 2		




1

<b>Part No.</b>	580006	<b>Ref. No.</b>	4880
<b>description</b>	heating cable L 134Ft~40843mm		


### heating cables

#### miscellaneous



1


<b>Part No.</b>	580139	<b>Ref. No.</b>	4878
<b>description</b>	heating cable kit		



1

<b>Part No.</b>	420280	<b>Ref. No.</b>	4881 CB-3045
<b>description</b>	heating cable kit L 210Ft~64008mm for heated cabinet		

### heating cartridges




1

<b>Part No.</b>	419035	<b>Ref. No.</b>	CB-3538
<b>description</b>	heating cartridge 230W 240V ø 12.5mm L 112mm thread 5/8"-18UNF cable length 150mm		


### accessories

#### washers



1

<b>Part No.</b>	560112	<b>Ref. No.</b>	WS-22295
<b>description</b>	plain washer ID ø 5.3mm ED ø 10mm thickness 1mm SS Qty 20 pcs DIN 125A for thread M5		




1

<b>Part No.</b>	560113	<b>Ref. No.</b>	WS-22297
<b>description</b>	plain washer ID ø 6.4mm ED ø 12mm thickness 1.6mm SS Qty 20 pcs DIN 125A for thread M6		

### thermostats

#### bi-metal thermostats

#### safety bi-metal thermostats



1

<b>Part No.</b>	390991	<b>Ref. No.</b>	TT-3859
<b>description</b>	bi-metal safety thermostat hole distance 23.5mm switch-off temp. 150°C 1CO 1-pole 16A 250V connection F6.3 screw		



## control and safety thermostats

EGO

safety thermostats

55.13\_ series



<b>Part No.</b>	390126	<b>Ref. No.</b>	TT3750
-----------------	--------	-----------------	--------

<b>description</b>	safety thermostat switch-off temp. 340°C 1-pole 1NC 16A probe ø 3.1mm probe L 201mm capillary pipe 1170mm capillary pipe isolatedmm gland nut probe SS
--------------------	--

55.32\_ series



<b>Part No.</b>	375454	<b>Ref. No.</b>	TT-33476
-----------------	--------	-----------------	----------

<b>description</b>	safety thermostat switch-off temp. 154°C 3-pole 20A probe ø 6mm probe L 87mm capillary pipe 890mm capillary pipe isolated 800mm gland nut probe
--------------------	---



<b>Part No.</b>	375474	<b>Ref. No.</b>	TT-33325
-----------------	--------	-----------------	----------

<b>description</b>	safety thermostat t.max. 340°C switch-off temp. 340°C 2-pole 1NC/1CO 1x20/1x0.5A probe ø 4mm probe L 120mm capillary pipe 1300mm capillary pipe isolated 900mm gland nut probe
--------------------	--

INVENSYS / ROBERTSHAW

control thermostats



<b>Part No.</b>	390992	<b>Ref. No.</b>	TT-3978
-----------------	--------	-----------------	---------

<b>description</b>	thermostat t.max. 121.111°C temperature range 15.55-121.11°C 1-pole 1NO 16A probe ø 5mm probe L 400mm capillary pipe 850mm capillary pipe isolatedmm gland nut shaft ø 6x4.6mm shaft L 21mm shaft position lower rotation 315° 60-250°F
--------------------	---



<b>Part No.</b>	390875	<b>Ref. No.</b>	TT-3498
-----------------	--------	-----------------	---------

<b>description</b>	thermostat t.max. 232.2°C temperature range 37.77-232.22°C 1-pole 1NO 30A probe ø 5mm probe L 280mm capillary pipe 900mm capillary pipe isolatedmm gland nut shaft L 24mm rotation 315° 100-450°F t.max. 450°F
--------------------	--



<b>Part No.</b>	580075	<b>Ref. No.</b>	TT3057 TT3058
-----------------	--------	-----------------	------------------


<b>description</b>	thermostat t.max. 93°C temperature range 15-93°C 1-pole 1NO 15A probe ø 5mm probe L 400mm capillary pipe 1000mm capillary pipe isolatedmm gland nut shaft ø 6x4.6mm shaft L 22mm operating temperature range 60-200°F
--------------------	---




1


<b>Part No.</b>	390993	<b>Ref. No.</b>	TT-33432
<b>description</b>	thermostat t.max. 93°C temperature range 15-93°C 1-pole 1NO 15A probe ø 5mm probe L 400mm capillary pipe 2100mm capillary pipe isolatedmm gland nut shaft ø 6x4.6mm shaft L 22mm operating temperature range 60-200°F		

various control thermostats



1

<b>Part No.</b>	390994	<b>Ref. No.</b>	TT-33626
<b>description</b>	thermostat t.max. 121.11°C temperature range adjustable°C 1-pole 1NO 16A probe ø 4mm probe L 250mm capillary pipe 2140mm capillary pipe isolatedmm gland nut shaft ø 6x4.6mm shaft L 21mm shaft position° shaft position right rotation°		
<b>For models:</b>	750-S-HD		




1

<b>Part No.</b>	580008	<b>Ref. No.</b>	TT3329
<b>description</b>	thermostat temperature range 37.77-162.78°C probe ø 5mm probe L 300mm capillary pipe 950mm shaft ø 6x4.6mm shaft L 23mm operating temperature range 100-325°F		

switches and momentary switches

rocker/momentary rocker switches


28x13.5mm




1


<b>Part No.</b>	348099	<b>Ref. No.</b>	SW-3409
<b>description</b>	rocker switch mounting measurements 27.4x12.4mm black 1CO 250V 10A with neutral position connection male faston 6.3mm ambient temperature max. 85°C protection IP40		

30x22mm




1


<b>Part No.</b>	301004	<b>Ref. No.</b>	SW-3887	
<b>description</b>	rocker switch mounting measurements 30x22mm black 2CO 250V 16A connection male faston 6.3mm ambient temperature max. 125/55°C protection IP40			
<b>accessories for</b>	301004			
	<b>Part No.</b>	301036	<b>Ref. No.</b>	—
	protective cover internal size 30x22mm for rocker switch mounting measurementsmm			



1


<b>Part No.</b>	346377	<b>Ref. No.</b>	SW-34788	
<b>description</b>	rocker switch mounting measurements 30x22mm black 2CO 230V 16A 0-I connection male faston 6.3mm ambient temperature max. 125/55°C protection IP40			
<b>accessories for</b>	346377			
	<b>Part No.</b>	301036	<b>Ref. No.</b>	—
	protective cover internal size 30x22mm for rocker switch mounting measurementsmm			

37x21mm



1

<b>Part No.</b>	347969	<b>Ref. No.</b>	SW-34769
<b>description</b>	rocker switch mounting measurements 37x21mm black 2NO 250V 10A 0-1 connection male faston 6.3mm ambient temperature max. 85°C protection IP44		




1

<b>Part No.</b>	348153 <sup>1</sup>	<b>Ref. No.</b>	5010847
<b>description</b>	rocker switch mounting measurements 37x21mm black 2NO 250V 10A 0-1 connection male faston 6.3mm ambient temperature max. 85°C protection IP44 mounting frame inclusive		

<sup>1</sup>with accessories

toggle switches


M12x0.75



1

<b>Part No.</b>	348151	<b>Ref. No.</b>	SW-3040
<b>description</b>	toggle switch 2NO 250V screw		




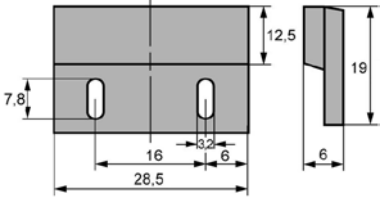
			
1			
<b>Part No.</b>	348154	<b>Ref. No.</b>	SW-3041
<b>description</b>	toggle switch thread M10x0.75 1NO 120-240V 12/20A ON-OFF screw		

## magnetic switches

## accessories

## magnets

			
1			
<b>Part No.</b>	345700	<b>Ref. No.</b>	MA3739
<b>description</b>	magnet ømm L 29mm H 6.5mm W 19mm hole distance 16mm M3 hole ø 3.5mm		




## lamps

## indicator lights


## indicator lights (complete)

## ø12mm

## with plug-in socket

			
1			
<b>Part No.</b>	580014	<b>Ref. No.</b>	LI3025 LI3027
<b>description</b>	indicator light ø 12mm 230V red		


## 30x13mm

			
1			
<b>Part No.</b>	346547	<b>Ref. No.</b>	LI-3516
<b>description</b>	indicator light mounting measurements 27.4x12.4mm 230V red connection male faston 6.3mm temp.-resist. 120°C		

## screw-on/push-on fit

## halogen lamp



## for socket G4 / G6.35 / G9

			
1			
<b>Part No.</b>	357193	<b>Ref. No.</b>	LP-34213
<b>description</b>	halogen lamp socket G4 12V 20W temp.-resist. 300°C OSRAM HALOSTAR OVEN		

## oven lamps

## universal oven lamps

## 55x70mm


			
1			
<b>Part No.</b>	359297	<b>Ref. No.</b>	CV-26607
<b>description</b>	frame L 95mm W 81mm mounting distance 68/83mm thickness 6mm		
<b>accessories for</b>	359297		
	<b>Part No.</b>	359299	<b>Ref. No.</b> GS-26609
	gasket L 91mm W 77mm hole ø 3mm for oven lamp		

			
1			
<b>Part No.</b>	359299	<b>Ref. No.</b>	GS-26609
<b>description</b>	gasket L 91mm W 77mm hole ø 3mm for oven lamp		

## lamps

## halogen lamps


## for socket G4 / G6.35 / G9

			
1			
<b>Part No.</b>	357193	<b>Ref. No.</b>	LP-34213
<b>description</b>	halogen lamp socket G4 12V 20W temp.-resist. 300°C OSRAM HALOSTAR OVEN		



## timers

### electric timers



1

<b>Part No.</b>	580007	<b>Ref. No.</b>	TR3318
<b>description</b>	timer 240V operation time 12h		

## contactors

### HARTLAND

#### power contactors




1

<b>Part No.</b>	381284	<b>Ref. No.</b>	CN-3062
<b>description</b>	power contactor resistive load 40A 208/240VAC 30A/10HP (AC3/240V) 30A/7.46kW main contacts 3NO auxiliary contacts connection screw clamp/male faston 6.3mm type HCCY3XU02CY		

### SPRECHER+SCHUH

#### power contactors




1

<b>Part No.</b>	381396	<b>Ref. No.</b>	CN-3654
<b>description</b>	power contactor resistive load 32A 220VAC (AC3/400V) 20A/11kW main contacts 3NO auxiliary contacts 1NC connection screw type CA7-23-01		

## solid state relays

### CRYDOM



1

<b>Part No.</b>	403662	<b>Ref. No.</b>	RL-3736
<b>description</b>	solid state relay CRYDOM 1 phase 25A 240V 90-280VAC L 57mm W 44.6mm screw connection type A2425		

### miscellaneous

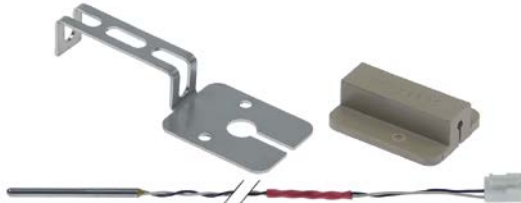
1

<b>Part No.</b>		<b>Ref. No.</b>	RL-3583
<b>description</b>	solid state relay TELEDYNE 25A 12-280V 4-30VDC L 58mm W 44mm screw type S24D25		

## probes


### producer-specific probes

#### probes





1

<b>Part No.</b>	378668	<b>Ref. No.</b>	5022355 PR34494
<b>description</b>	temperature probe Pt1000 cable PTFE probe -40 up to +250°C cable -40 up to +250°C connection plug thread probe ø3x45mm cable length 3m		



1

<b>Part No.</b>	379800	<b>Ref. No.</b>	5002100	
<b>description</b>	temperature probe thermocouple K (NiCr-Ni) cable silicone probe -50 up to 1150°C cable -50 up to +180°C connection 2-wire thread M5 probe ø4x20mm cable length 3m			
<b>accessories for</b>	379800			
	<b>Part No.</b>	521012	<b>Ref. No.</b>	—
	gasket graphite ED ø 15mm ID ø 5mm thickness 1.2mm Qty 1 pcs			

1 


<b>Part No.</b>	378507	<b>Ref. No.</b>	PR-33751
<b>description</b>	temperature probe thread M5 cable length 3m		

## solenoid valves


### solenoid valves (water)



#### ROBERTSHAW/INVENSYS

medium temperature:	90°C	90°C	60°C
ambient temperature:	60°C	25°C	60°C
duty cycle:	40%	100%	100%

1 

<b>Part No.</b>	372022	<b>Ref. No.</b>	VA-34045
<b>description</b>	solenoid valve double straight 230VAC inlet 3/4" outlet 14mm DN10 EATON (INVENSYS)		


1 



<b>Part No.</b>	372018	<b>Ref. No.</b>	VA-34300	
<b>description</b>	solenoid valve single straight 230VAC inlet 3/4" outlet 14mm DN10 EATON (INVENSYS) flow regulating valve outlet flow regulating valve inlet white			
<b>spare parts for</b>	372018			
	<b>Part No.</b>	371122	<b>Ref. No.</b>	—
	solenoid valve filter ø 19mm H 10mm suitable for MÜLLER			
	<b>Part No.</b>	371131	<b>Ref. No.</b>	—
	solenoid coil 230VAC			

## fans

### axial fans

#### import

1 

<b>Part No.</b>	601080 <sup>1</sup>	<b>Ref. No.</b>	FA-3568	
<b>description</b>	axial fan L 119mm W 119mm H 38mm 230VAC 50/60Hz 23/20W bearing ball bearing connection male faston 2.8mm metal ADDA fan wheel ø 110mm temp.-resist. 70°C			
<b>accessories for</b>	601080			
	<b>Part No.</b>	550898	<b>Ref. No.</b>	—
	connecting cable cable length 2000mm connection F 2.8 connection distance 7.9mm for axial flow fan			
	<b>Part No.</b>	692519	<b>Ref. No.</b>	—
	guard L 120mm W 120mm plastic			


<sup>1</sup>with ball bearings

## ignition parts

### pilot burners

#### HONEYWELL

#### pilot burners

1 

<b>Part No.</b>	102490	<b>Ref. No.</b>	BN-33371
<b>description</b>	pilot burner 1 flame		

## equipment-specific units

### for convection ovens/combi-steamers

#### spare parts and accessories

1

<b>Part No.</b>	580002	<b>Ref. No.</b>	HD2575
<b>description</b>	counterpart		



for ovens

miscellaneous




1			
<b>Part No.</b>	696772	<b>Ref. No.</b>	4652 4652R
<b>description</b>	container for smoke oven L 245mm W 110mm H 67mm		


knobs

universal knobs



1			
<b>Part No.</b>	580009	<b>Ref. No.</b>	KN3468
<b>description</b>	knob thermostat t.max. 350°C 100-350°C ø 50mm shaft ø 6x4.6mm shaft flat upper		
<b>accessories for</b>	580009		
	<b>Part No.</b>	110135	<b>Ref. No.</b> —
	rosette knob up to ø 52mm		




1			
<b>Part No.</b>	110124	<b>Ref. No.</b>	KN3468
<b>description</b>	knob thermostat t.max. 350°C t.max.°F 100-350°C°F ø 50mm shaft ø 6x4.6mm shaft flat upper black temperature range 100-350°C rotation 270°		
<b>accessories for</b>	110124		
	<b>Part No.</b>	110135	<b>Ref. No.</b> —
	rosette knob up to ø 52mm		

producer-specific knobs

ALTO-SHAAM



1			
<b>Part No.</b>	110124	<b>Ref. No.</b>	KN3468
<b>description</b>	knob thermostat t.max. 350°C t.max.°F 100-350°C°F ø 50mm shaft ø 6x4.6mm shaft flat upper black temperature range 100-350°C rotation 270°		
<b>accessories for</b>	110124		
	<b>Part No.</b>	110135	<b>Ref. No.</b> —
	rosette knob up to ø 52mm		



1			
<b>Part No.</b>	111491	<b>Ref. No.</b>	KN-3474
<b>description</b>	knob thermostat t.max. 90°C t.max.°F 15-90°C°F ø 48mm shaft ø 6x4.6mm shaft flat lower		
<b>For models:</b>	750-S-HD		



1			
<b>Part No.</b>	580011	<b>Ref. No.</b>	KN3469
<b>description</b>	knob thermostat t.max.°C t.max.°F 60-200°F ø 49mm shaft ø 6x4.6mm shaft flat lower		
<b>For models:</b>	750-S-HD		

locks

turning lever locks

producer-specific

ALTO-SHAAM



1			
<b>Part No.</b>	699495	<b>Ref. No.</b>	HD-26966
<b>description</b>	handle latch H 40mm L 205mm combi-steamer mounting distance 40mm mounting pos. right		





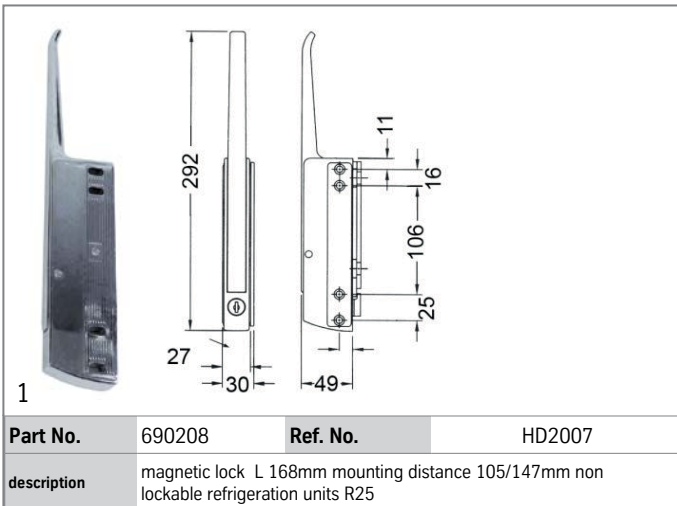
edgemoount latches

magnetic locks

CHG

1

<b>Part No.</b>		<b>Ref. No.</b>	HD2007
<b>description</b>	door handle		



1

<b>Part No.</b>	690208	<b>Ref. No.</b>	HD2007
<b>description</b>	magnetic lock L 168mm mounting distance 105/147mm non lockable refrigeration units R25		

1

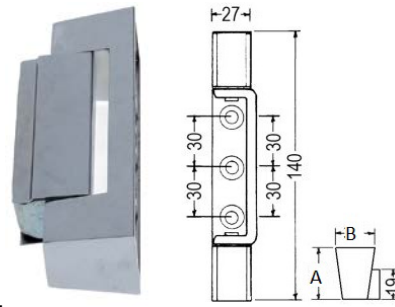
<b>Part No.</b>		<b>Ref. No.</b>	HD2566
<b>description</b>	catch		

hinges

edgemoount hinges

CHG

1



<b>Part No.</b>	690294	<b>Ref. No.</b>	HG-2014
<b>description</b>	edgemoount hinge L 140mm mounting distance 30/30mm hinging left/right without lift L1 33mm L2 30mm series R42		

**spare parts for** 690294

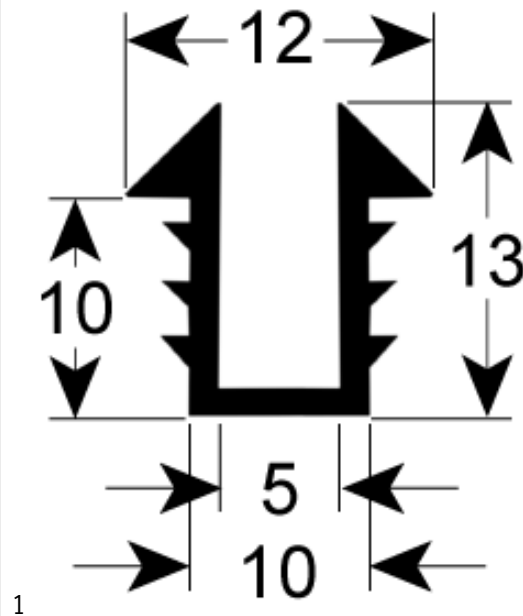


<b>Part No.</b>	690292	<b>Ref. No.</b>	—
spring for R42 (140mm)			

gaskets

gaskets for heated units

window seals

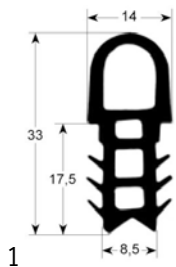


1

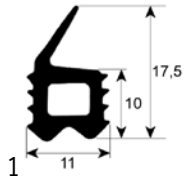
<b>Part No.</b>	902509	<b>Ref. No.</b>	GS-2721
<b>description</b>	window gasket profile 1903 L 2100mm Qty 1 mounting pos. window		



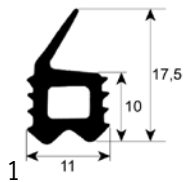
door seals



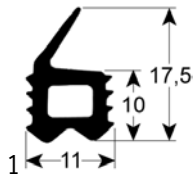
<b>Part No.</b>	901675	<b>Ref. No.</b>	GS-25550
<b>description</b>	door seal profile 2060 W 420mm L 475mm external size Qty 1		



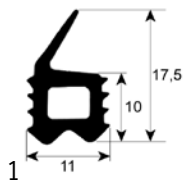
<b>Part No.</b>	901312	<b>Ref. No.</b>	GS-23790
<b>description</b>	door seal profile 2708 W 385mm L 545mm external size		



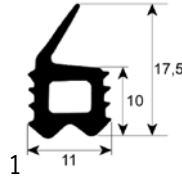
<b>Part No.</b>	901313	<b>Ref. No.</b>	GS-23794
<b>description</b>	door seal profile 2708 W 500mm L 730mm external size		



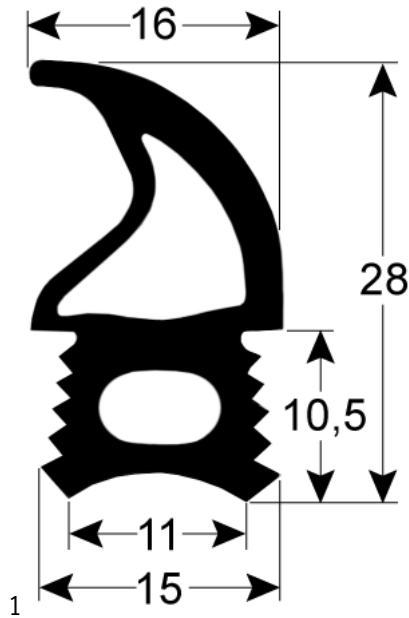
<b>Part No.</b>	902508	<b>Ref. No.</b>	GS-22951
<b>description</b>	door seal profile 2708 W 530mm L 571mm external size		



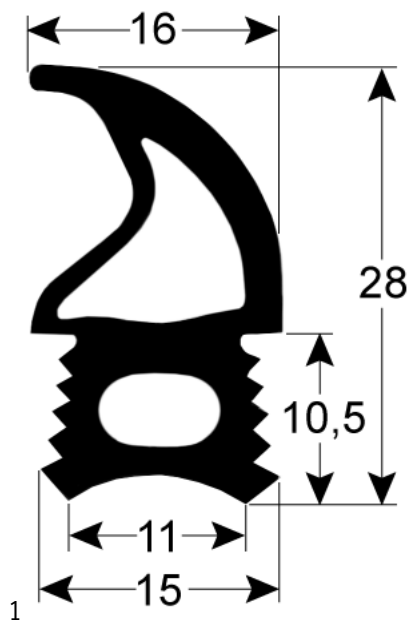
<b>Part No.</b>	901132	<b>Ref. No.</b>	GS22903 GS-23778
<b>description</b>	door seal profile 2708 W 545mm L 590mm external size		
<b>For models:</b>	750-S-HD		



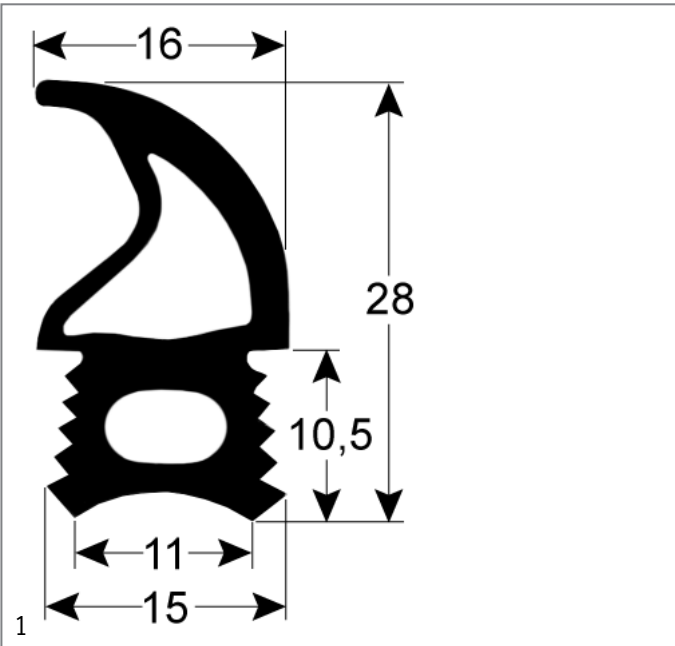
<b>Part No.</b>	901314	<b>Ref. No.</b>	GS-23796
<b>description</b>	door seal profile 2708 W 560mm L 780mm external size		



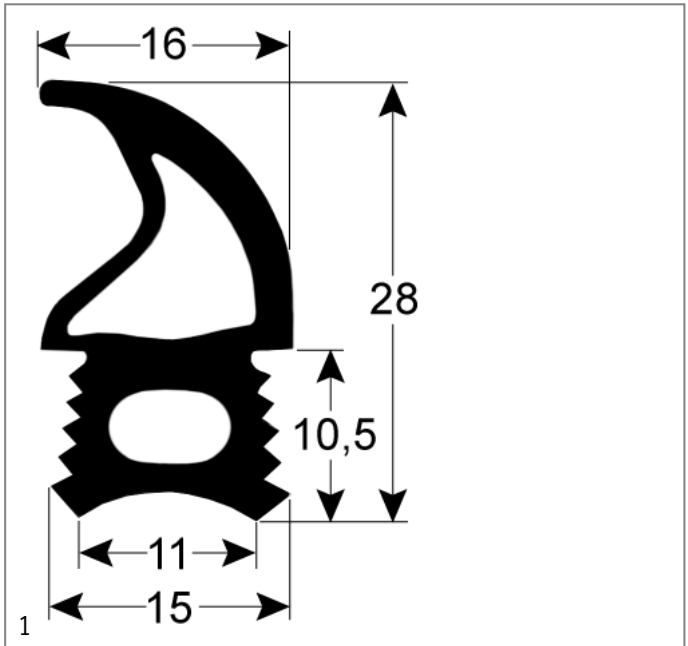
<b>Part No.</b>	902518	<b>Ref. No.</b>	GS-26635
<b>description</b>	door seal profile 2758 W 420mm L 562mm outer plug size with 4 holes		



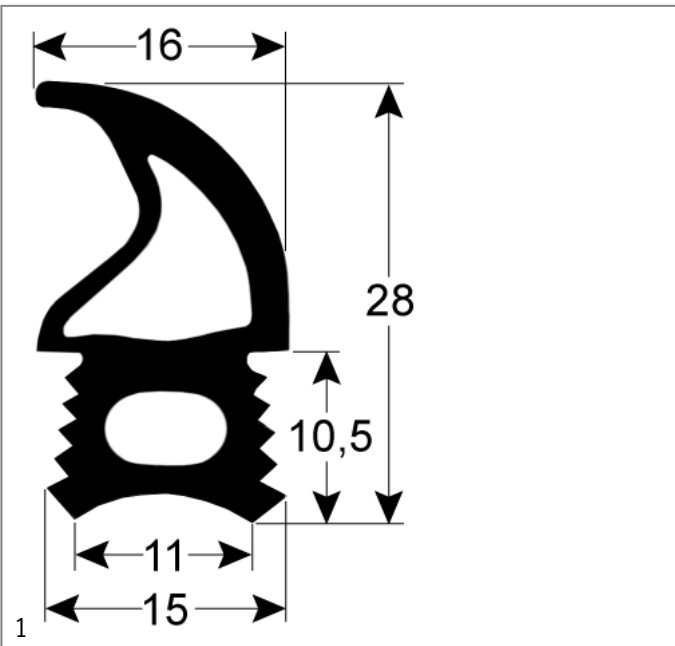
<b>Part No.</b>	902519	<b>Ref. No.</b>	GS-26637
<b>description</b>	door seal profile 2758 W 420mm L 716mm outer plug size with 4 holes		



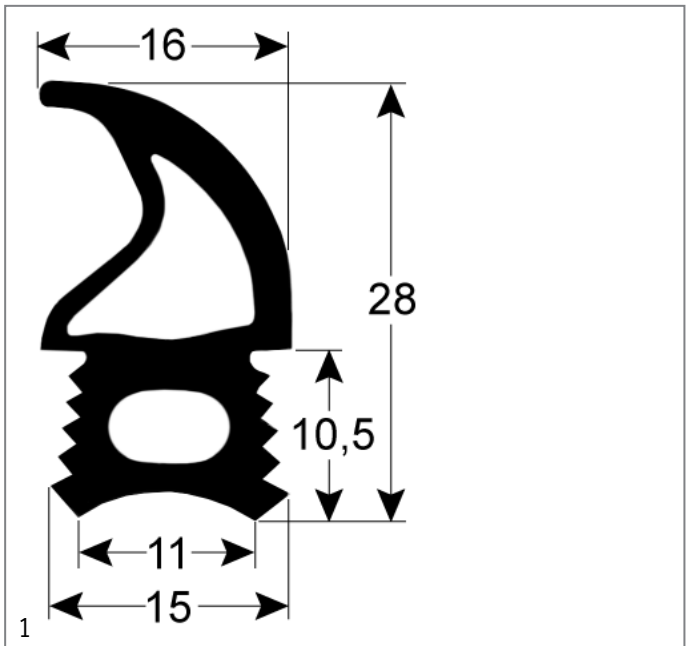
<b>Part No.</b>	902511	<b>Ref. No.</b>	GS-26639
<b>description</b>	door seal profile 2758 W 561mm L 623mm outer plug size with 4 holes		



<b>Part No.</b>	902512	<b>Ref. No.</b>	GS-26641
<b>description</b>	door seal profile 2758 W 698mm L 1543mm outer plug size with 4 holes		



<b>Part No.</b>	902516	<b>Ref. No.</b>	GS-26638
<b>description</b>	door seal profile 2758 W 622mm L 716mm outer plug size with 4 holes		



<b>Part No.</b>	902517	<b>Ref. No.</b>	GS-26640
<b>description</b>	door seal profile 2758 W 700mm L 1030mm outer plug size with 4 holes		



<b>Part No.</b>	580013	<b>Ref. No.</b>	GS2398
<b>description</b>	door seal profile 2949 L 3000mm Qty 1		



## fittings, hose and pipe connectors

### hose connectors

#### nickel-plated brass



1

<b>Part No.</b>	512440	<b>Ref. No.</b>	PB-26512
<b>description</b>	T-piece with probe connection nickel-plated brass thread 3/4" hose ø 16mm		

## measuring equipment

### thermometers

#### built-in thermometers

##### ø41mm



1

<b>Part No.</b>	541894	<b>Ref. No.</b>	TH-33713
<b>description</b>	thermometer mounting ø 41mm t.max. 105°C 0-105°C probe ø 9.5mm probe L 65mm capillary pipe 900mm		

##### ø52mm



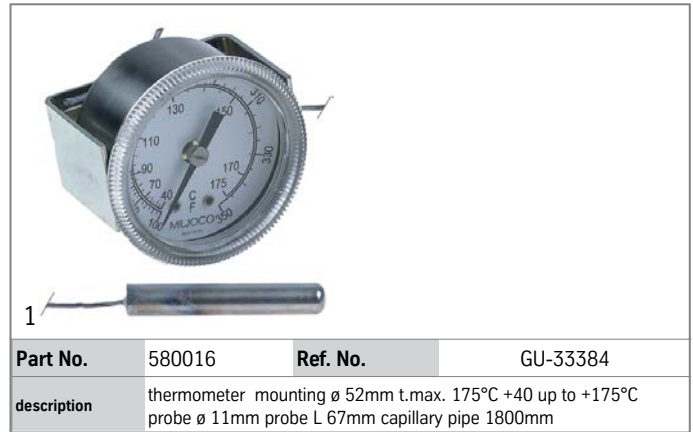
1

<b>Part No.</b>	580015	<b>Ref. No.</b>	GU3274 GU33384
<b>description</b>	thermometer mounting ø 52mm		



1

<b>Part No.</b>	580141	<b>Ref. No.</b>	GU-34198
<b>description</b>			



1

<b>Part No.</b>	580016	<b>Ref. No.</b>	GU-33384
<b>description</b>	thermometer mounting ø 52mm t.max. 175°C +40 up to +175°C probe ø 11mm probe L 67mm capillary pipe 1800mm		

## fastening material

### screws

#### hexagonal screws



1

<b>Part No.</b>	560084	<b>Ref. No.</b>	SC-26060
<b>description</b>	hexagonal screw thread M5 thread L 16mm SS WS 8 Qty 20 pcs DIN 933 / ISO 4017		



1

<b>Part No.</b>	560088	<b>Ref. No.</b>	SC-22924
<b>description</b>	hexagonal screw thread M6 thread L 20mm SS WS 10 Qty 20 pcs DIN 933 / ISO 4017		

### nuts

#### hexagonal nuts

##### DIN 934 / ISO 4032/8673



1

<b>Part No.</b>	511212	<b>Ref. No.</b>	NU-22291
<b>description</b>	hexagonal nut thread M6 H 5mm WS 10 SS DIN/ISO DIN 934 / ISO 4032/8673 Qty 1 pcs		



## washers

## spring rings



1

<b>Part No.</b>	560122	<b>Ref. No.</b>	WS-22301
<b>description</b>	lock washer ID $\varnothing$ 5.2mm ED $\varnothing$ 9mm SS DIN127 Qty 20 pcs for thread M5		



1

<b>Part No.</b>	560123	<b>Ref. No.</b>	WS-22302
<b>description</b>	lock washer ID $\varnothing$ 6.3mm ED $\varnothing$ 11mm SS DIN127 Qty 20 pcs for thread M6		

## washers

## DIN 125A



1

<b>Part No.</b>	560112	<b>Ref. No.</b>	WS-22295
<b>description</b>	plain washer ID $\varnothing$ 5.3mm ED $\varnothing$ 10mm thickness 1mm SS Qty 20 pcs DIN 125A for thread M5		



1

<b>Part No.</b>	560113	<b>Ref. No.</b>	WS-22297
<b>description</b>	plain washer ID $\varnothing$ 6.4mm ED $\varnothing$ 12mm thickness 1.6mm SS Qty 20 pcs DIN 125A for thread M6		

**GASTRO**PARTS.COM

